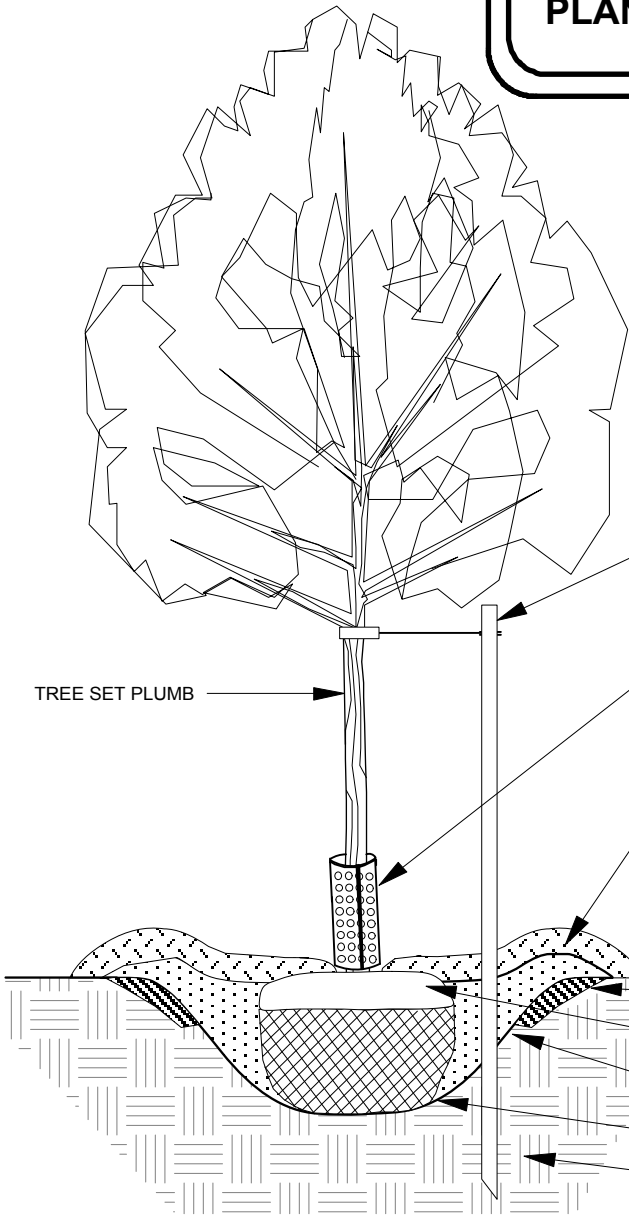


Drawing Title:

# SPECIAL DETAIL FOR TREE PLANTING IN RESTRICTED SITES

Drawing No:

## SCD-519



STAKE ON ONE OR TWO SIDES AND GUYING STRAP (WHERE REQUIRED)

TRUNK PROTECTION: 100mm DIA. x 600mm LENGTH WEeping TILE MATERIAL SLICED AND WRAPPED AROUND BASE OF TREE

MULCH (100mm DEPTH)

BERM FORMING WATER DISH USING SOIL AROUND THE OUTSIDE EDGE OF THE ROOT BALL

EXISTING FINISHED GRADE

SCARIFY SIDES OF TREE PIT TO THE DEPTH OF ONE SHOVEL BLADE

CUT AND REMOVE BURLAP FROM THE TOP 1/3 OF ROOT BALL. FOLD BACK/CUT OFF WIRE BASKET FROM TOP OF ROOT BALL. REMOVE ALL TWINE.

TAMPED SOIL MIX

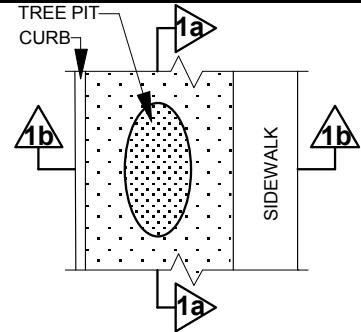
TREE PIT SLOPING TO APPROXIMATE WIDTH OF ROOT BALL AT BASE

UNDISTURBED SOIL

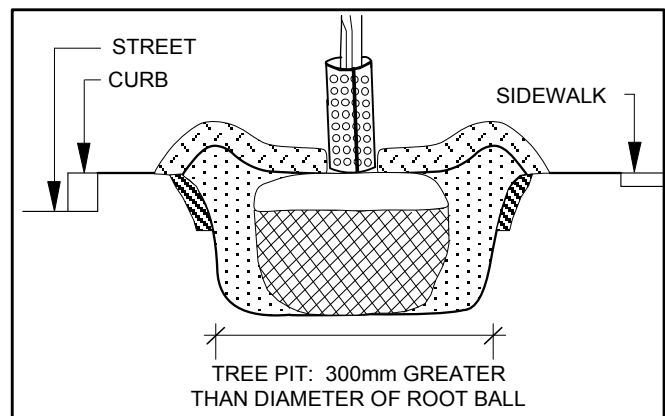
TREE PIT: 1.5 DIAMETER OF minimum required ROOT BALL (as indicated in Appendix 'A')

### SECTION 1a

**PIT TO BE DUG WITH BACKHOE**



### PLAN VIEW



### SECTION 1b

TREE PIT: 300mm GREATER THAN DIAMETER OF ROOT BALL

DIMENSIONS SHOWN ARE IN MILLIMETRES UNLESS OTHERWISE SPECIFIED

DATE: JAN 2011  
SCALE: N.T.S.  
DRAWN BY: SP

The City of Winnipeg  
Planning, Property and Development Department  
Planning and Land Use Division  
Unit 15 - 30 Fort Street, Winnipeg, MB, R3C 4X5

