

Client

Legend

Notes

Revision	By	Appd.	YY.MM.DD

Issued	By	Appd.	YY.MM.DD

File Name:	CB	AA	CB	22.05.27
115423001e_e-304m	Dwn.	Chkd.	Dsgn.	YY.MM.DD

Permit-Seal



Client/Project
 WINNIPEG TRANSIT DIRECT CURRENT FAST CHARGING BUS STATIONS BRANDON GARAGE

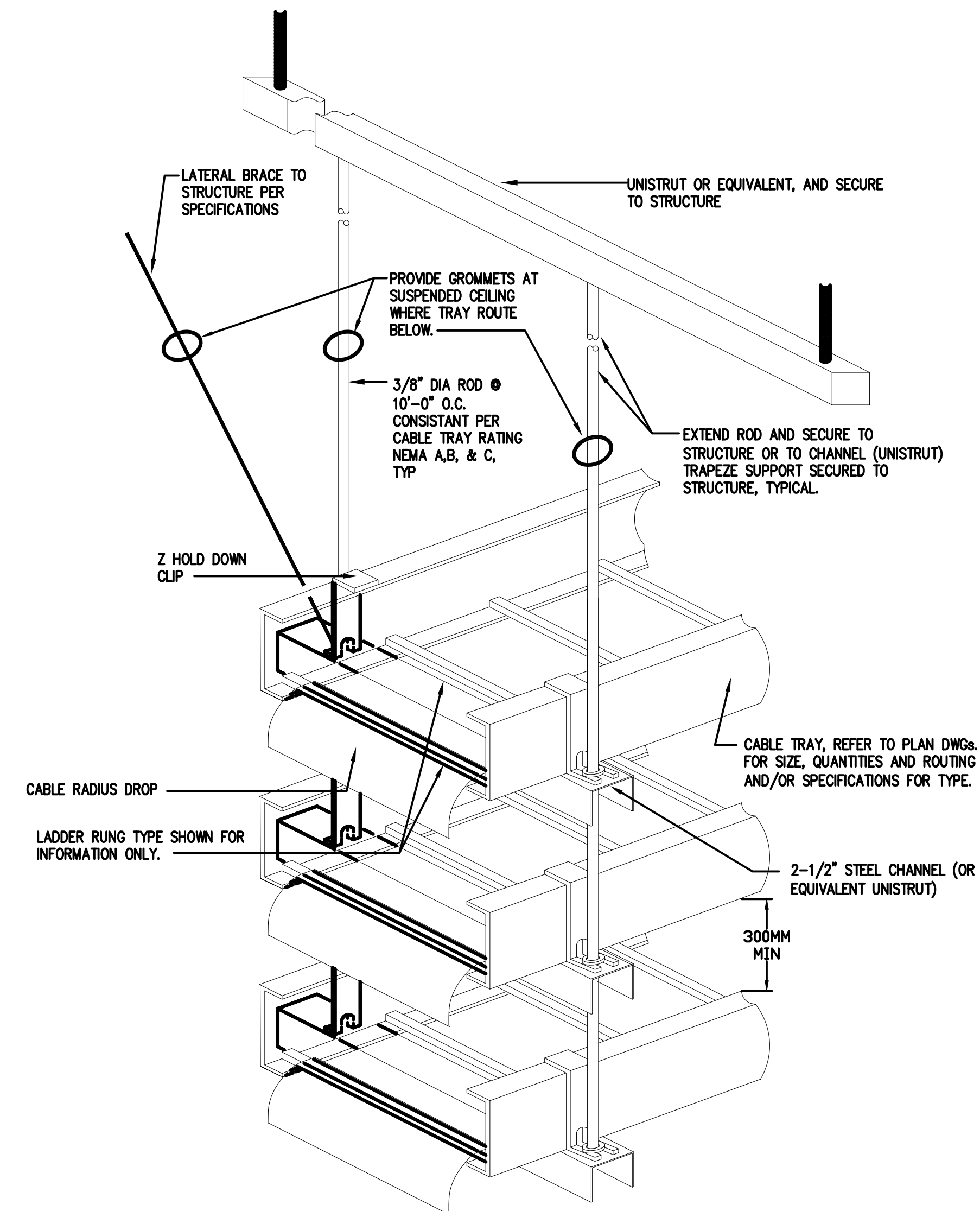
600 Brandon Ave. Winnipeg, Manitoba

Title
 STRUCTURAL DETAILS

Project No.	Scale
144523001	As Indicated

Drawing No.	Sheet	Revision
E-304	12 of 12	0

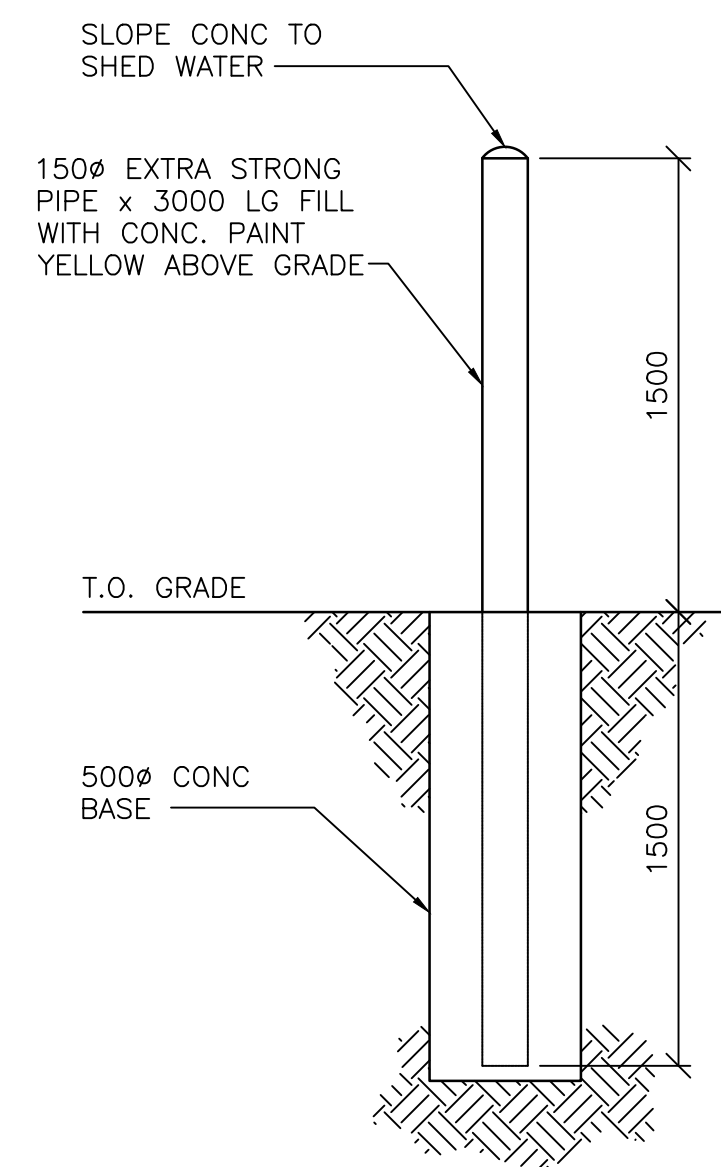
E-304 12 of 12 0



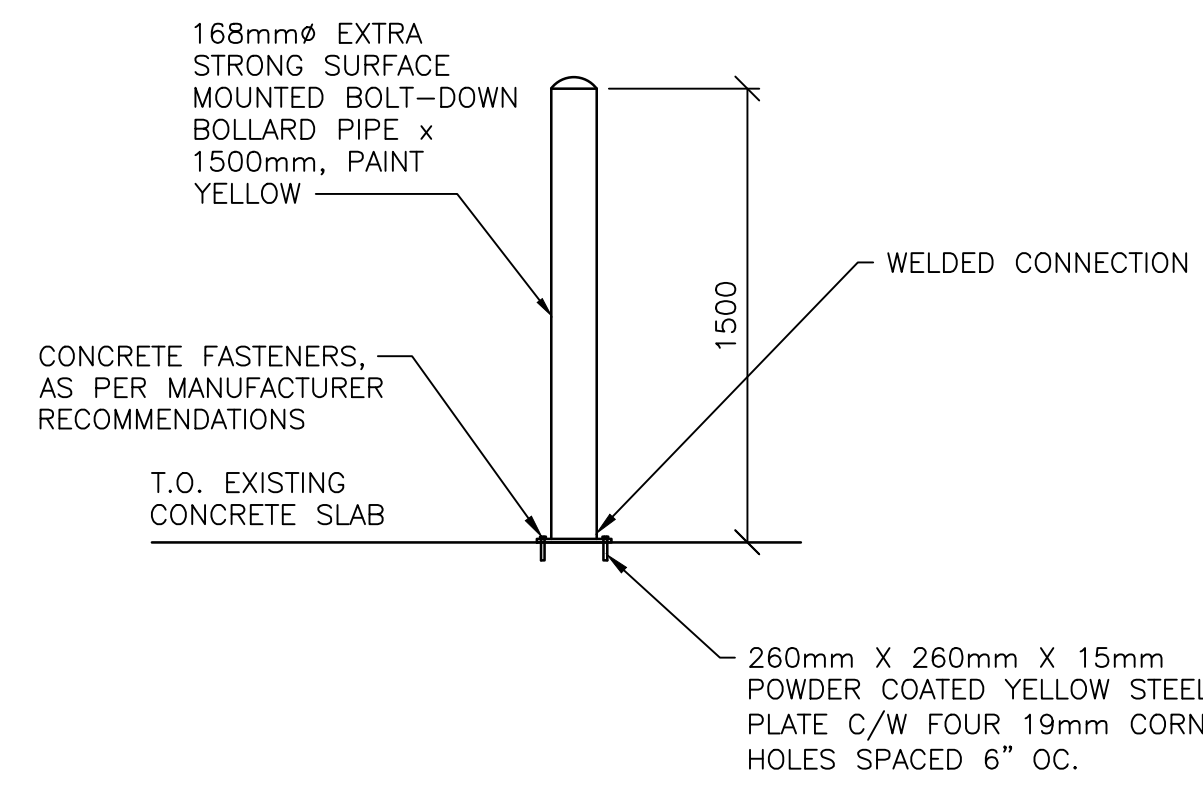
3 CABLE TRAY SUPPORT DETAIL
 E-304 NTS

NOTE:

- CABLE TRAY INSTALLATION SHALL ADHERE TO CEC 12-2200. WHERE PERMITTED BY CODE, CONTRACTOR MAY SUBMIT A REQUEST TO THE OWNER TO REDUCE THE CLEARANCES BETWEEN THE TRAY SECTIONS.



1 TYPICAL OUTDOOR BOLLARD DETAIL
 E-304 NTS



2 TYPICAL SURFACE MOUNTED BOLT-DOWN BOLLARD DETAIL
 E-304 NTS