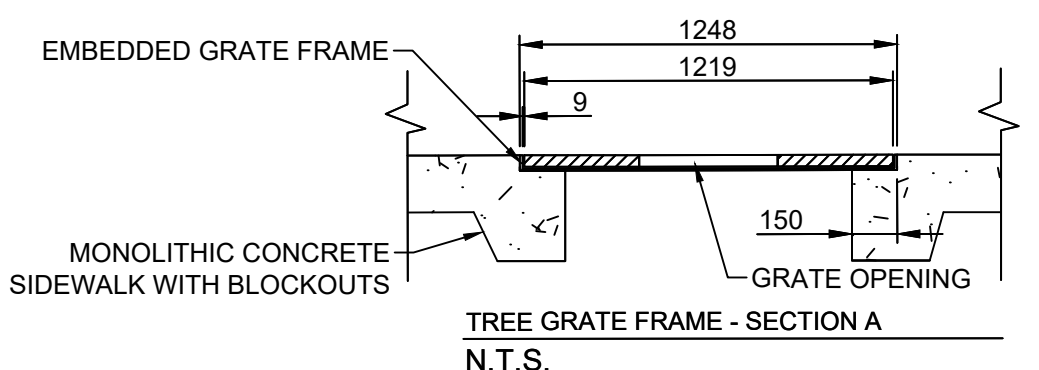
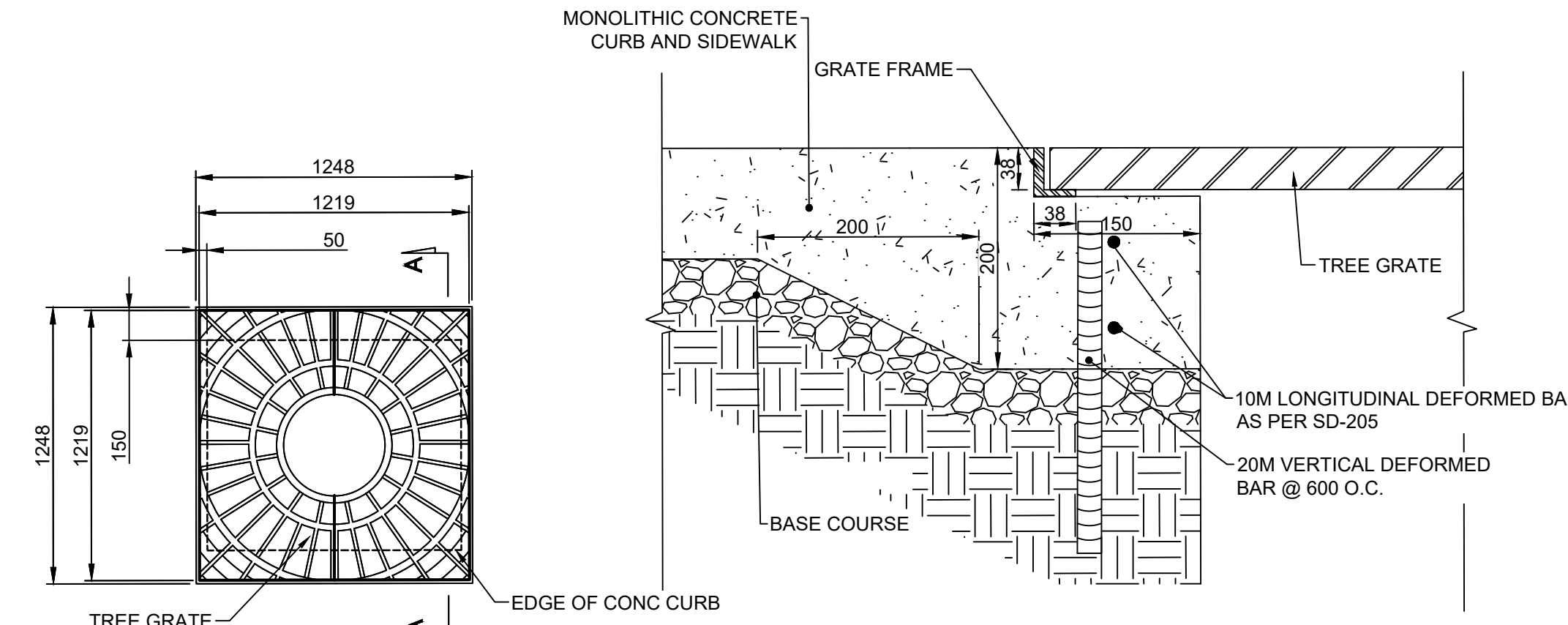


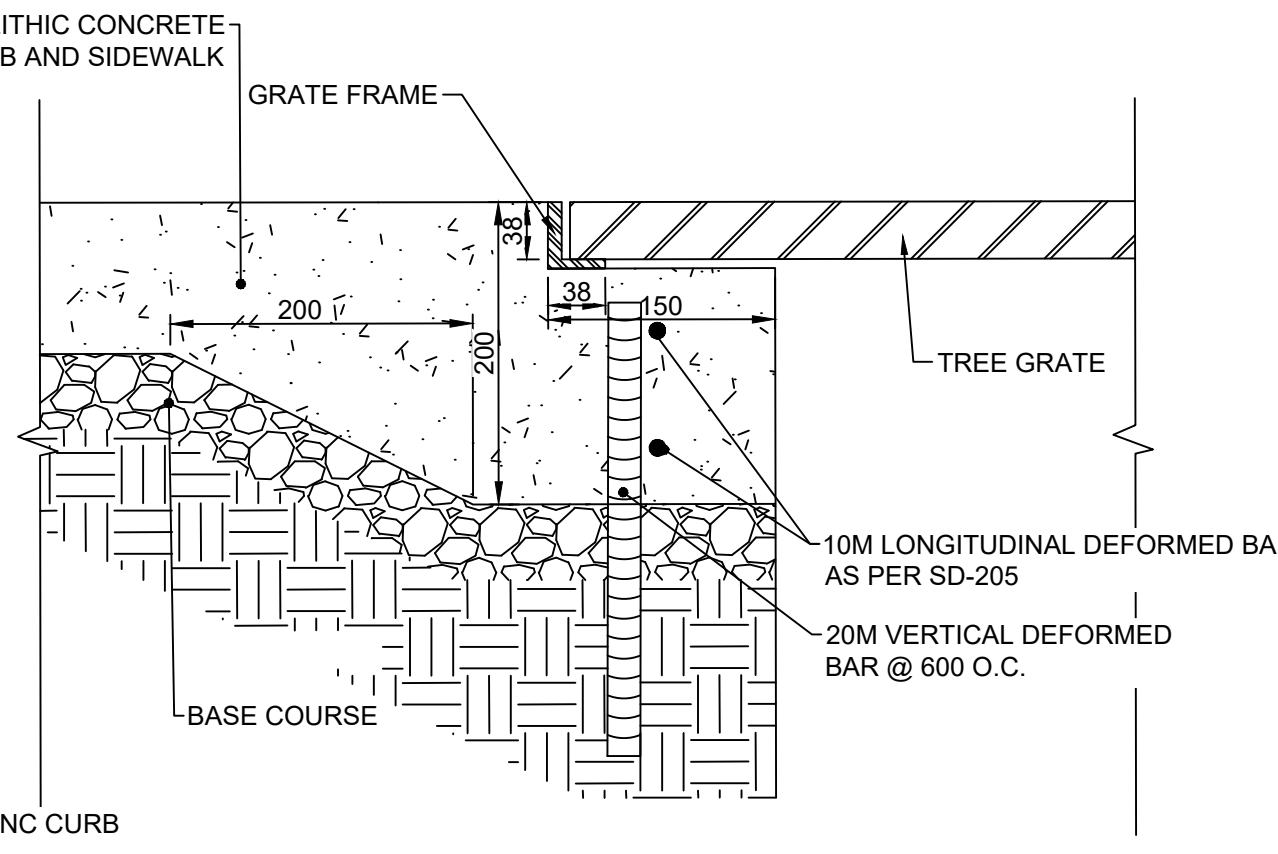
TYPICAL MONOLITHIC CURB AND SIDEWALK WITH BLOCKOUTS - SECTION VIEW
N.T.S.



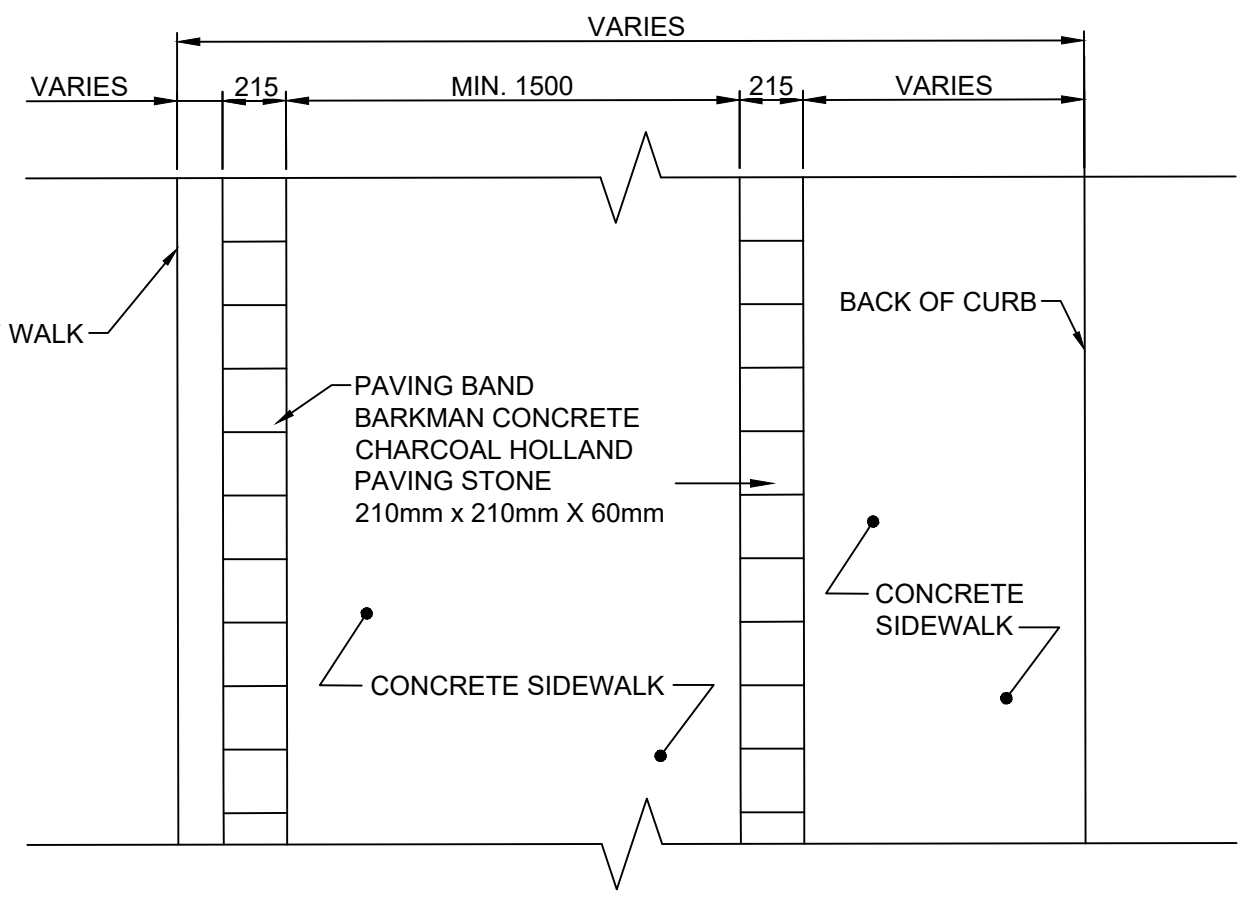
TREE GRATE FRAME - SECTION A
N.T.S.



TREE GRATE AND FRAME TOP VIEW
N.T.S.



TREE GRATE WITH FRAME DETAIL
N.T.S.



TYPICAL PAVING BAND PATTERN FOR CHARCOAL HOLLAND PAVER - PLAN VIEW
N.T.S.

CONSTRUCTION NOTES

1. REMOVE EXISTING CURB AND CONCRETE SIDEWALK AT INTERSECTIONS AND CONSTRUCT NEW MONOLITHIC CURB AND SIDEWALK (SEE DETAILS)
2. INSTALL NEW TREE WELL CURBING WITH ADA COMPLAINT GRATES FOR ALL EXISTING TREES AND TREE WELLS
3. SALVAGE AND REINSTALL BOLLARDS AND BICYCLE HOOPS
4. REMOVE EXISTING CURB AND INTERLOCKING PAVING STONE AND CONSTRUCT NEW MONOLITHIC CURB AND SIDEWALK WITH BLOCK OUTS (SEE BLOCK OUT DETAIL)
5. ADJUST CURB AND GUTTER INLET FRAME AND COVER AS DIRECTED BY CONTRACT ADMINISTRATOR
6. INSTALL NEW STREET LIGHT PRECAST CONCRETE BASE AND RECONNECT
7. TREE GRATE DIMENSIONS TO BE CONFIRMED IN FIELD
8. REGRADE EXISTING PAVING STONES
9. REMOVE EXISTING TREE WELL
10. INSTALL NEW STREETLIGHT CONDUIT

GENERAL NOTES

- A. PAVEMENT DIMENSIONS ARE TO BACK OF CURB
- B. ALL CURB RADII UNDER 15.0m SHALL BE MODIFIED
- C. CURB REPLACEMENT AS DIRECTED BY CONTRACT ADMINISTRATOR
- D. CONTRACTOR TO CONFIRM THE LOCATION OF ALL UTILITIES/SERVICES IN THE FIELD PRIOR TO CONSTRUCTION
- E. CONTRACTOR TO TAKE PRECAUTIONARY STEPS TO PROTECT EXISTING TREES WITHIN THE CONSTRUCTION LIMITS AS PER CW 1140
- F. ADJUST ALL CURB STOPS AND WATER VALVES TO GRADE
- G. BLOCK OUT ALIGNMENT TO BE DIRECTED BY CONTRACT ADMINISTRATOR

ISSUED FOR TENDER
NOT TO BE USED FOR CONSTRUCTION

METRIC
WHOLE NUMBERS INDICATE MILLIMETERS
DECIMALIZED NUMBERS INDICATE METERS

TENDER NO. 11-2023

EXISTING	LEGEND - PLAN	PROPOSED	EXISTING	LEGEND - PLAN	PROPOSED	EXISTING	LEGEND - PROFILE	PROPOSED
⊕	HYDRANT	◆	---	LDS/WWS	---	▒	CONCRETE	▒
⊗	VALVE	◆	---	WATERMAIN	---	▒	CONCRETE SIDEWALK	▒
⊙	CURB STOP	◆	---	GAS	---	▒	ASPHALT	▒
○	MANHOLE	●	---	TRAFFIC SIGNALS	---	▒	PAVING BAND	▒
□	CATCH BASIN	●	---	HYDRO/STREET LIGHT	---	▒	BRICK	▒
△	CURB INLET	◆	---	MTS/SHAW	---	▒	AREAWAY	▒
○	HYDRO POLE	◆	---	CURB RENEWAL	---	○	BOLLARD	○
○	LIGHT STANDARD	◆	---	PROPERTY LINE	---	○	FENCE	○
○	TRAFFIC SIGNAL POLE	◆	---	RAMP CURB	---	○	UTILITY MAN HOLE	○
+	SURVEY BAR	◆	---	ELEVATIONS	31.000	□	TREE WELL	□
⊕	GEODETIC BENCH MARK	◆	---	TREE	---	□		□

LOCATION APPROVED
UNDERGROUND STRUCTURES

SUPR. U/G STRUCTURES COMMITTEE DATE

NOTE:
LOCATION OF UNDERGROUND STRUCTURES AS SHOWN ARE BASED ON THE BEST INFORMATION AVAILABLE. BUT NO GUARANTEE IS GIVEN THAT ALL EXISTING UTILITIES ARE SHOWN OR THAT THE GIVEN LOCATIONS ARE EXACT. CONFIRMATION OF EXISTENCE AND EXACT LOCATION OF ALL SERVICES MUST BE OBTAINED FROM THE INDIVIDUAL UTILITIES BEFORE PROCEEDING WITH CONSTRUCTION.

NO.	REVISIONS	DATE	BY
2.	ISSUED FOR TENDER	4/2/2023	T.K.
1.	SUBMIT FOR PLAN APPROVAL	2/23/2023	T.K.

B.M. IB @ SE CORNER OF 222 FURBY ST
ELEV. 231.909

ENGINEERING DIVISION
TECHNOLOGY SERVICES BRANCH
106 - 1155 PACIFIC AVE

DESIGNED BY S.D. CHECKED BY E.H.
DRAWN BY S.D. APPROVED BY M.L.

HOR. SCALE: 1 : 250

DATE 2023/03/28



THE CITY OF WINNIPEG
PUBLIC WORKS DEPARTMENT

BROADWAY
FROM SHERBROOK STREET TO SPENCE STREET
DOWNTOWN, REGIONAL AND LOCAL SIDEWALK RENEWALS
FROM STA. 3+50 TO STA. 4+52

CITY DRAWING NUMBER SE-23-62
SHEET 4 OF 8

2