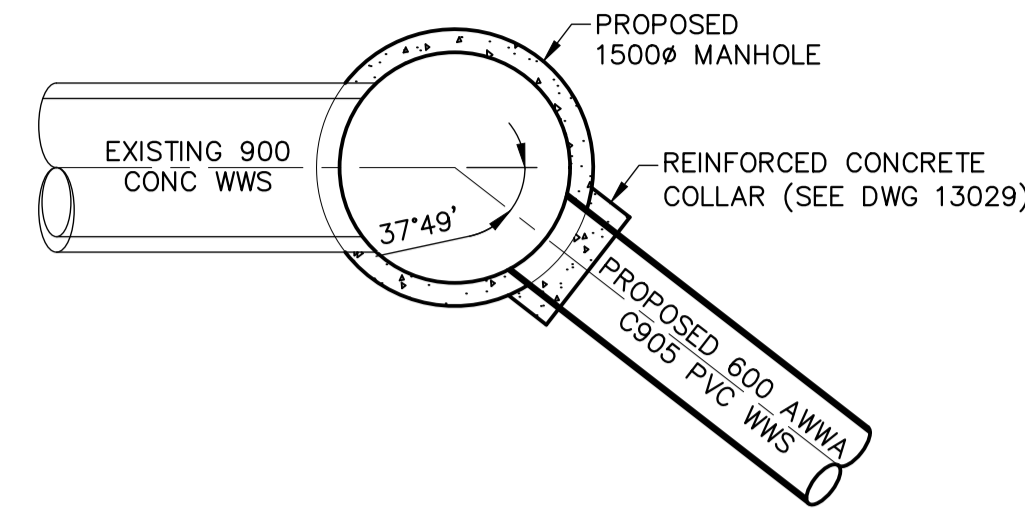
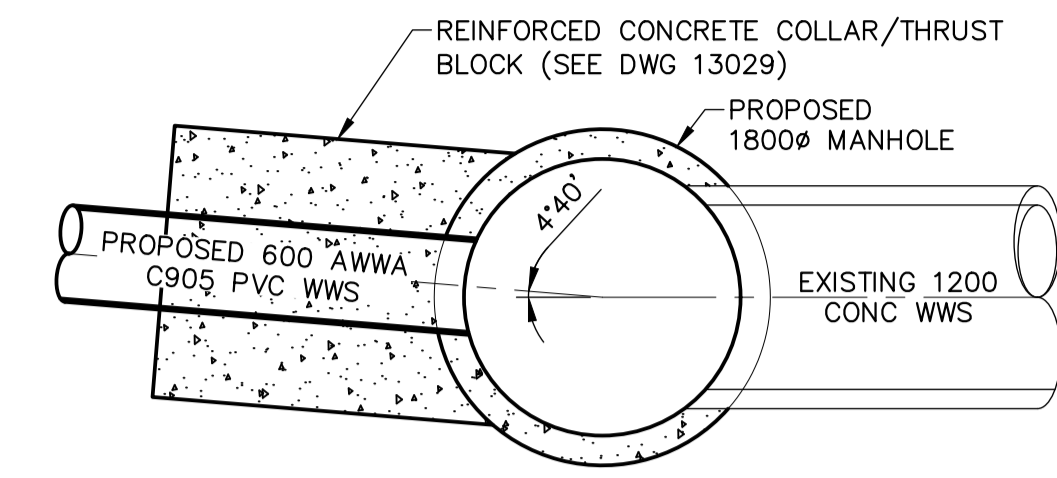


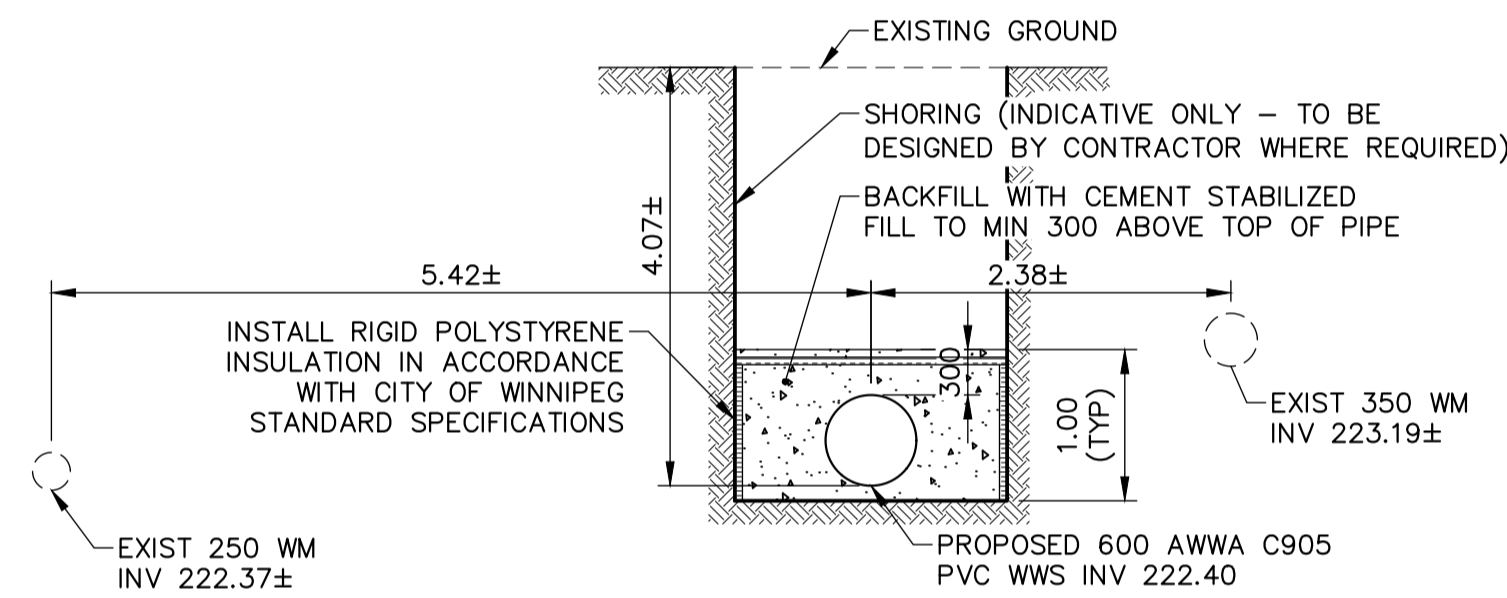
STA 1+47.5 BACKFILL DETAIL
SCALE 1:50



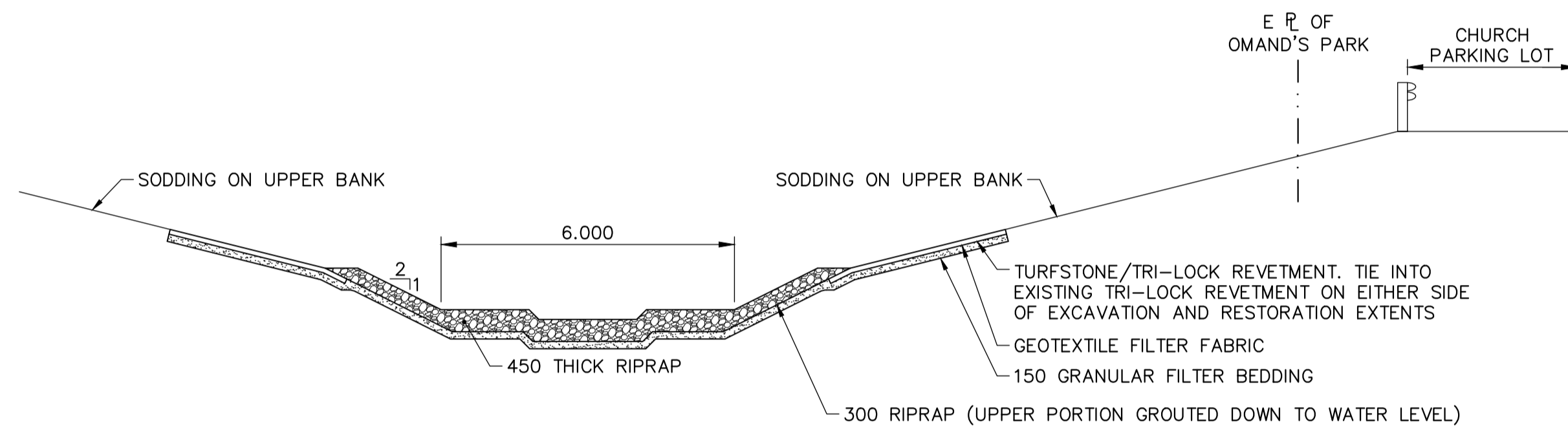
PROPOSED 1500Ø WEST MANHOLE DETAIL
SCALE 1:50



PROPOSED 1800Ø EAST MANHOLE DETAIL
SCALE 1:50



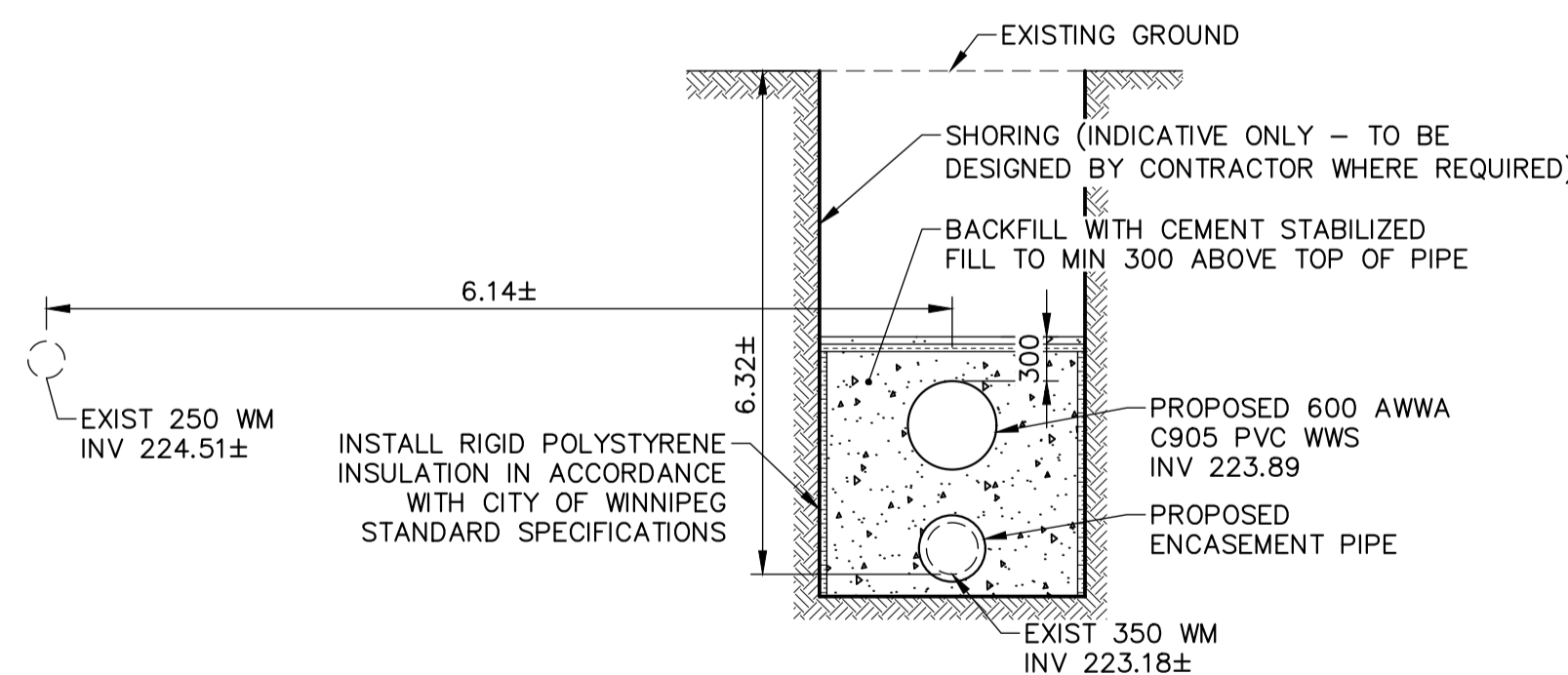
STA 1+57.5 BACKFILL DETAIL
SCALE 1:50



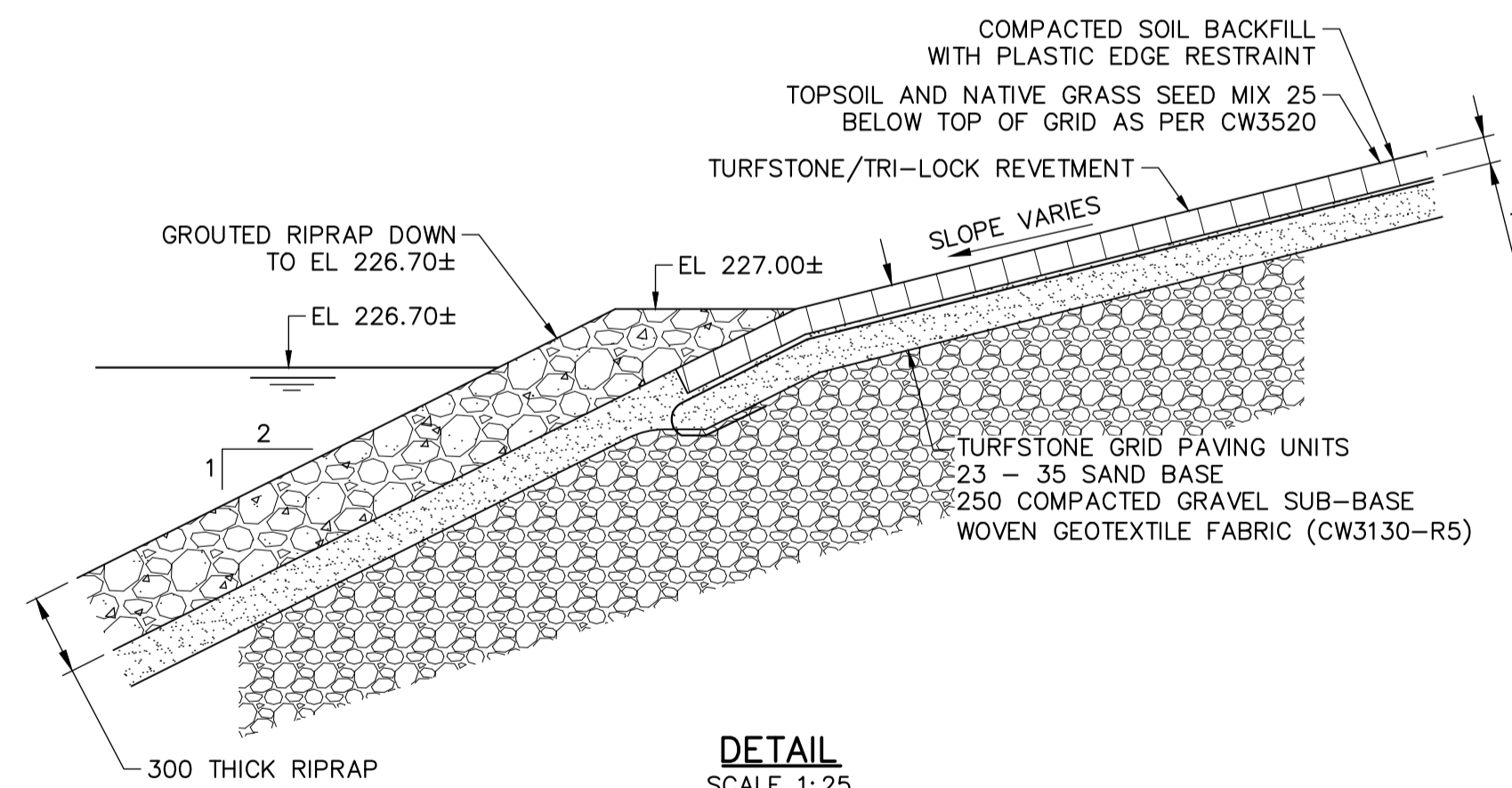
CREEK BOTTOM SECTION (TYP)
SCALE N.T.S.



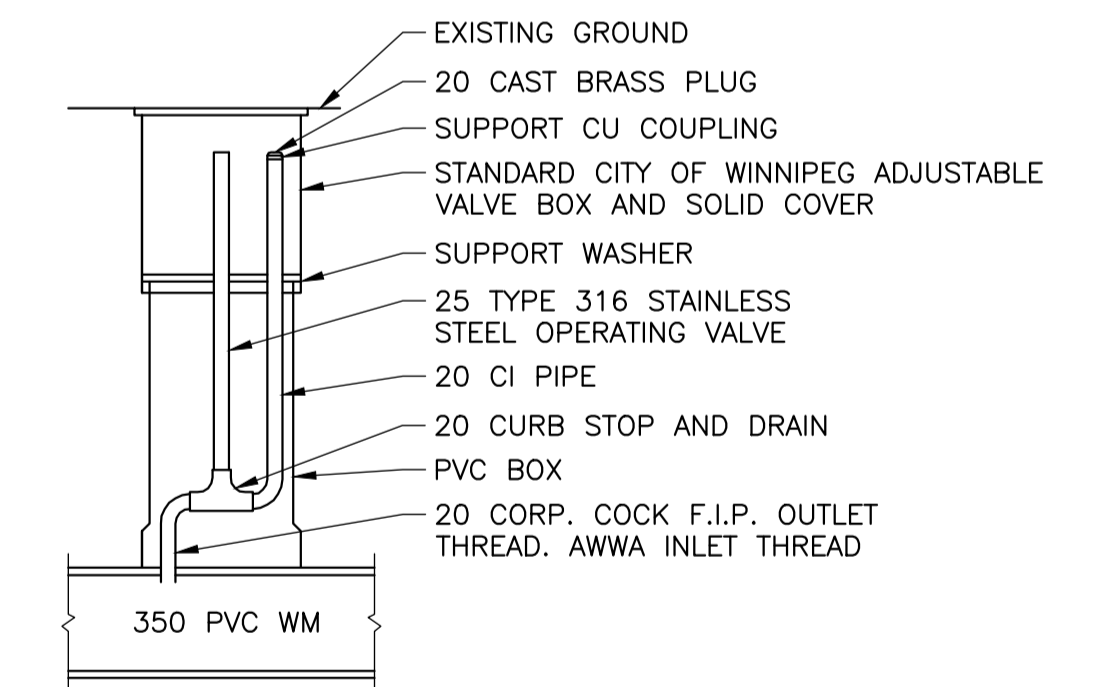
EXISTING TURFSTONE/TRI-LOCK REVETMENT
SCALE N/A



STA 1+66.3 BACKFILL DETAIL
SCALE 1:50



DETAIL
SCALE 1:25



AIR RELEASE VALVE DETAIL
SCALE N.T.S.

ENGINEERS
GEOSCIENTISTS
MANITOBA
Certificate of Authorization
KGS Group
No. 245

FOR INDEX PAGE
SEE DWG 13025

METRIC
WHOLE NUMBERS INDICATE MILLIMETRES
DECIMALIZED NUMBERS INDICATE METRES

LOCATION APPROVED UNDERGROUND STRUCTURES SUPV. U/G STRUCTURES COMMITTEE DATE NOTE: LOCATION OF UNDERGROUND STRUCTURES AS SHOWN ARE BASED ON THE BEST INFORMATION AVAILABLE BUT NO GUARANTEE IS GIVEN THAT ALL EXISTING UTILITIES ARE SHOWN OR THAT THE GIVEN LOCATIONS ARE EXACT. CONFIRMATION OF EXISTENCE AND EXACT LOCATION OF ALL SERVICES MUST BE OBTAINED FROM THE INDIVIDUAL UTILITIES BEFORE PROCEEDING WITH CONSTRUCTION.		B.M. ELEV. NO. REVISIONS DATE BY	KGS GROUP DESIGNED BY NGV CHECKED BY RBO DRAWN BY GEL APPROVED BY RBO SCALE: HORIZONTAL AS NOTED VERTICAL NA DATE 2021 11 22	ENGINEER'S SEAL CONSULTANT DRAWING NUMBER 21-0107-12_13028	THE CITY OF WINNIPEG WATER AND WASTE DEPARTMENT ENGINEERING DIVISION PORTAGE AVENUE INTERCEPTOR SIPHON REPLACEMENT AT OMAND'S CREEK MISCELLANEOUS DETAILS SHEET 1	SHEET 5 OF 6 CITY DRAWING NUMBER 13028
---	--	-------------------------------------	--	--	---	---