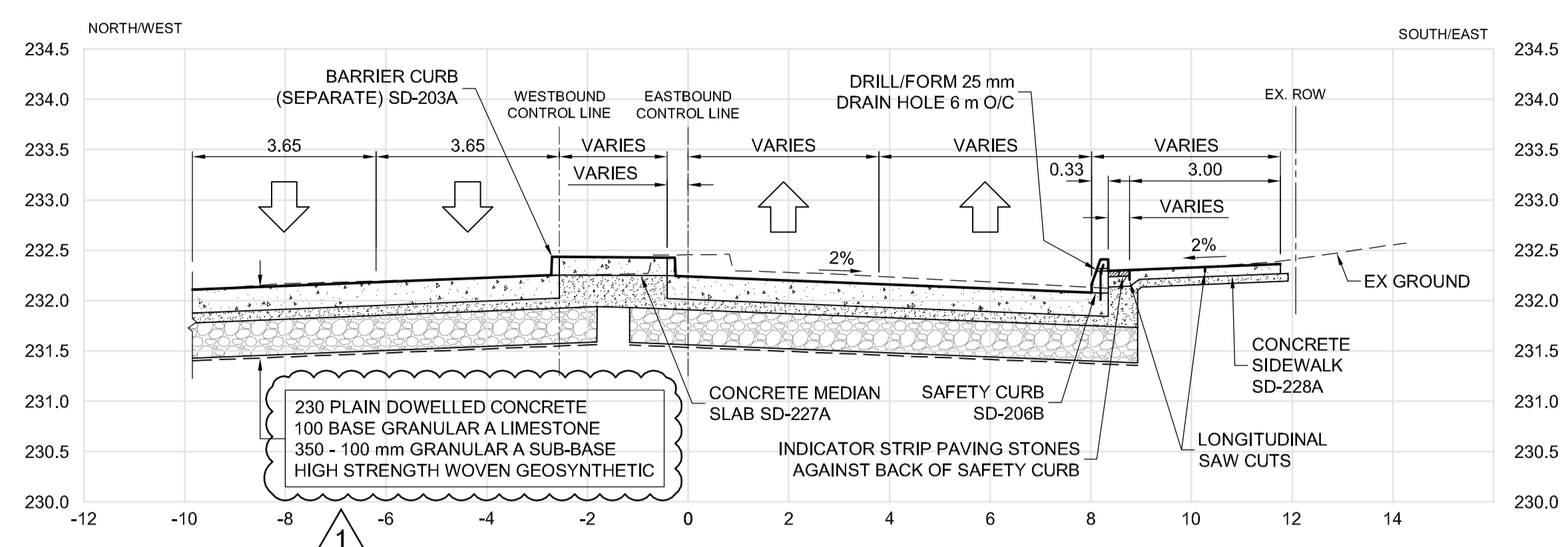
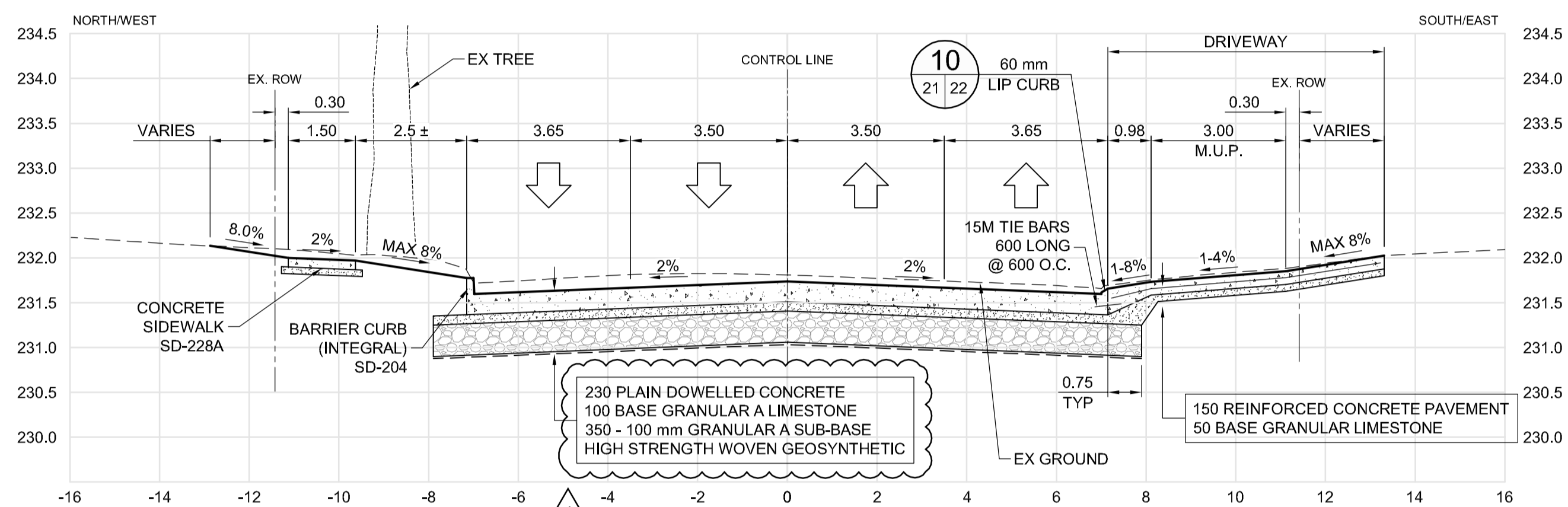


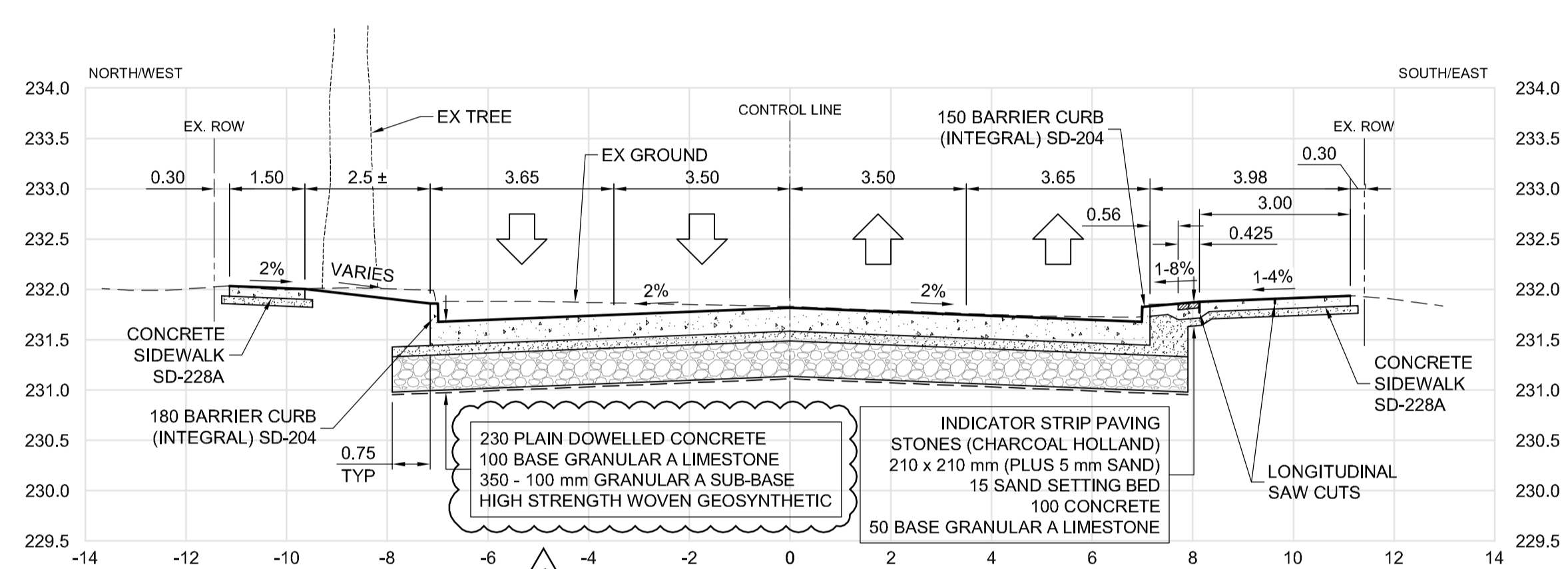
**A** JUBILEE SECTION - STA. 1+135  
06/21 SCALE: H=1:100, V=1:50



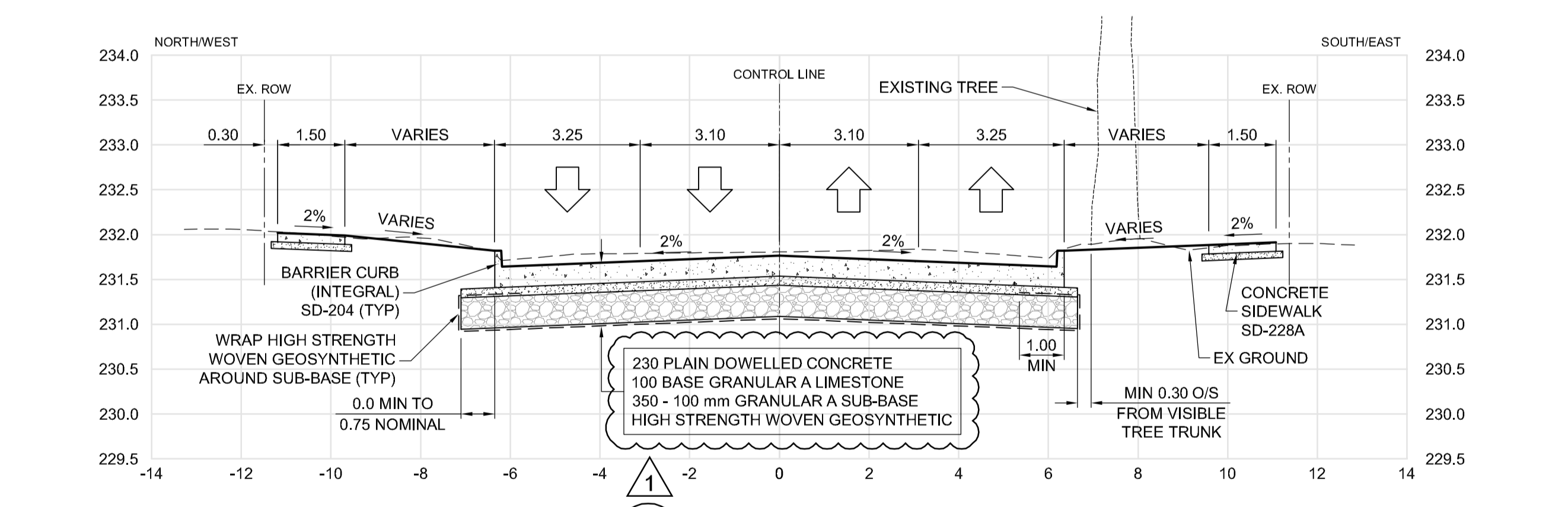
**B** JUBILEE SECTION - STA. 1+191.7  
07/21 SCALE: H=1:100, V=1:50



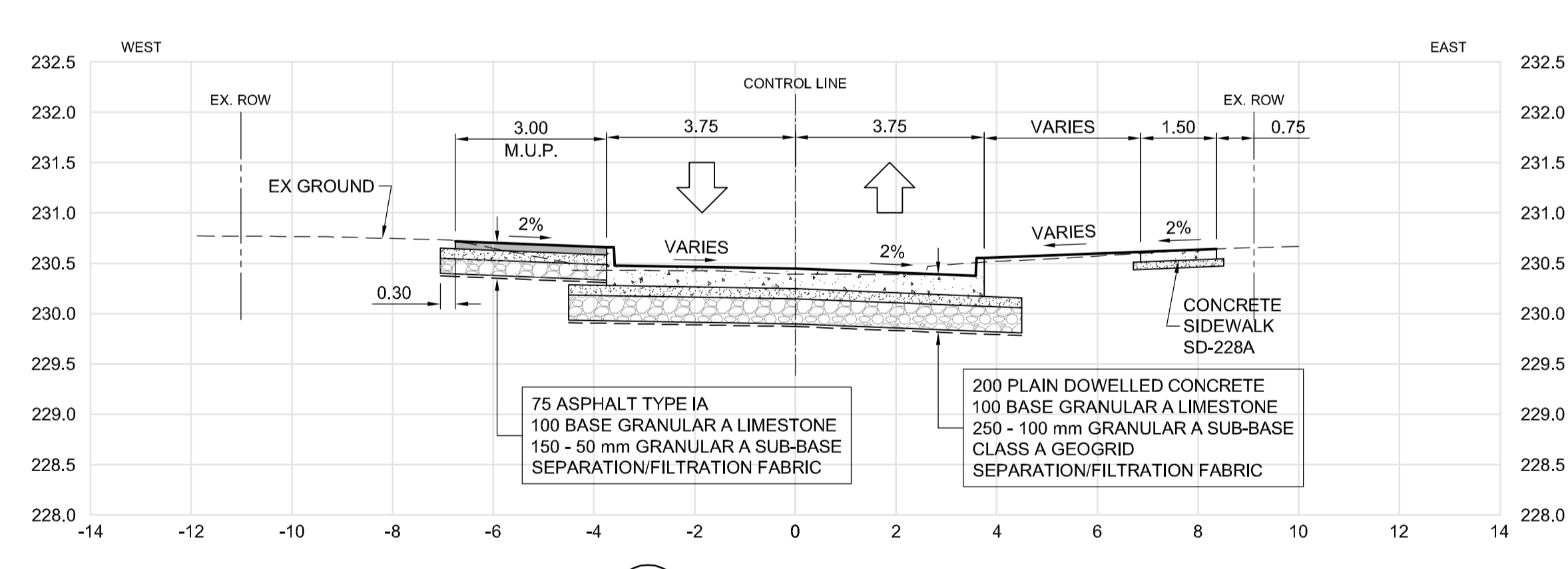
**C** JUBILEE SECTION - STA. 1+757  
11/21 SCALE: H=1:100, V=1:50



**D** JUBILEE SECTION - STA. 1+775  
11/21 SCALE: H=1:100, V=1:50



**E** JUBILEE SECTION - STA. 2+193  
14/21 SCALE: H=1:100, V=1:50



**F** COCKBURN SECTION - STA. 1+060  
20/21 SCALE: H=1:100, V=1:50

**ENGINEERS  
GEOSCIENTISTS  
MANITOBA**  
Certificate of Authorization  
**Dillon Consulting Limited (MB)**  
No. 1789 Date: 2021/12/17

**PRELIMINARY ONLY  
NOT FOR CONSTRUCTION**

<b>UNDERGROUND STRUCTURES</b> SUPPLY U/G STRUCTURES DATE		B.M. ELEV.	DESIGNED BY RTP/TJH DRAWN BY TJH CHECKED BY TS APPROVED BY DBW		ENGINEER'S SEAL PROVINCE OF MANITOBA REGISTERED PROFESSIONAL ENGINEER <b>D.B. WIEBE</b> 2021/12/17 Member 22480	<b>THE CITY OF WINNIPEG</b> PUBLIC WORKS DEPARTMENT 2020 PAVEMENT RENEWALS JUBILEE AVENUE RECONSTRUCTION OSBORNE STREET TO PEMBINA HIGHWAY	CITY DRAWING NUMBER <b>P-3550-21</b> SHEET <b>21</b> OF <b>73</b> CONSULTANT DRAWING NUMBER
LOCATION OF UNDERGROUND STRUCTURES AS SHOWN ARE BASED ON THE BEST INFORMATION AVAILABLE, BUT NO GUARANTEE IS GIVEN THAT ALL EXISTING UTILITIES ARE SHOWN OR THAT THE GIVEN LOCATIONS ARE EXACT. CONFIRMATION OF EXISTENCE AND EXACT LOCATION OF ALL SERVICES MUST BE OBTAINED FROM THE INDIVIDUAL UTILITIES BEFORE PROCEEDING WITH CONSTRUCTION.		1 ISSUED FOR ADDENDUM #2 22/01/13 DBW 0 ISSUED FOR TENDER 21/12/17 DBW NO. REVISIONS DATE BY	HOR. SCALE AS NOTED VERTICAL AS NOTED	RELEASED FOR CONSTRUCTION DATE	CONSULTANT PROJECT NUMBER <b>20-2434</b>	<b>JUBILEE AVE - SECTIONS</b>	

C:\pwworking\directory\projects\2020\_40\p\18160\202434-JUB-CT-CON-SECTIONS.dwg