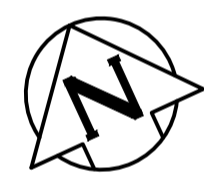
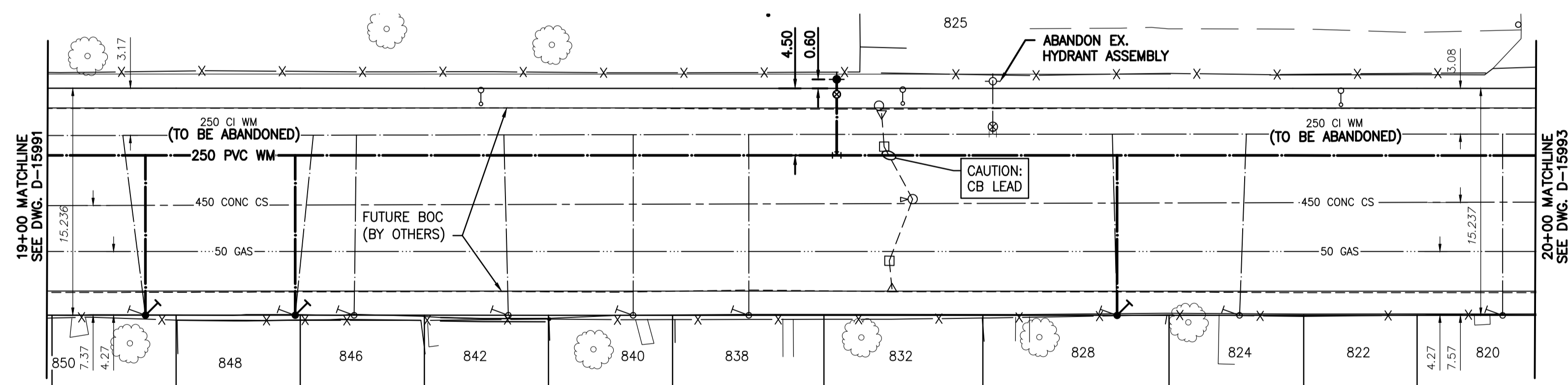


NOTE: CHAINAGES SHOWN ARE ALONG CENTRE LINE OF ROW



SELKIRK AVENUE



WATER SERVICE INFORMATION

ADDRESS	PIPE SIZE & MATERIAL (STREET)	PIPE SIZE & MATERIAL (PROP.)	SHORT & LONG MEASUREMENT	CORP. LOCATION	REMARKS
* 850 SELKIRK AVE	12	12	1.22 WEL OF HOUSE	1.52 W OF S/C	RENEW SERVICE
RESIDENTIAL	LEAD	LEAD	-		
* 848 SELKIRK AVE	16	12	EEHL	1.22 E CS	RENEW SERVICE
RESIDENTIAL	LEAD	LEAD	EEPL		
846 SELKIRK AVE	20	20	0.91 E W/L BLDG	0.15 E S/C	RECONNECT SERVICE
RESIDENTIAL	CU	CU	53.64 E E/L SINCLAIR		
842 SELKIRK AVE	20	20	2.13 WEL HOUSE	0.3 W OF S/C	RECONNECT SERVICE
RESIDENTIAL	CU	CU	64.01 EEL OF SINCLAIR		
840 SELKIRK AVE	20	20	1.68 WEL OF HOUSE	OPP S/C	RECONNECT SERVICE
RESIDENTIAL	CU	CU	72.39 EEL OF SINCLAIR		
838 SELKIRK AVE	20	20	1.83 WEL OF HOUSE	OPP S/C	RECONNECT SERVICE
RESIDENTIAL	CU	CU	80.16 EEL OF SINCLAIR		
* 828 SELKIRK	20	20	1.83 WEL OF HOUSE	0.3 W OF S/C	RENEW SERVICE
RESIDENTIAL	LEAD	LEAD	76.2 WWL OF ARLINGTON		
825 SELKIRK	50	50	9.3 WEL OF SCHOOL	OPP S/C	RECONNECT SERVICE
RESIDENTIAL	CU	CU	47.55 WWL OF ARLINGTON		
824 SELKIRK	20	12	2.9 WEL OF HOUSE	0.46 E OF S/C	RECONNECT SERVICE
RESIDENTIAL	CU	LEAD	67.97 WWL OF ARLINGTON		
820 SELKIRK	20	20	1.58 WEL OF HOUSE	OPP S/C	RECONNECT SERVICE
RESIDENTIAL	CU	CU	50.29 WWL OF ARLINGTON		

* SERVICES TO BE RENEWED TO P

NOTE: VALVES TO BE INSTALLED COUNTER-CLOCKWISE TO CLOSE

FOR INDEX SEE D-15993

ENGINEERS GEOSCIENTISTS MANITOBA
Certificate of Authorization
Stantec Consulting Ltd.
No. 1301



METRIC
WHOLE NUMBERS INDICATE MILLIMETRES
DECIMALIZED NUMBERS INDICATE METRES

LOCATION APPROVED
UNDERGROUND STRUCTURES

SUPV. U/G STRUCTURES COMMITTEE DATE

NOTE:
LOCATION OF UNDERGROUND STRUCTURES AS SHOWN ARE BASED ON THE BEST INFORMATION AVAILABLE BUT NO GUARANTEE IS GIVEN THAT ALL EXISTING UTILITIES ARE SHOWN OR THAT THE GIVEN LOCATIONS ARE EXACT. CONFIRMATION OF EXISTENCE AND EXACT LOCATION OF ALL SERVICES MUST BE OBTAINED FROM THE INDIVIDUAL UTILITIES BEFORE PROCEEDING WITH CONSTRUCTION.

B.M. 25-11 N.W. Cor. Arlington St. & Selkirk Ave., Tblt. in S. Conc.
ELEV. 232.212m Foundation of King Edward Community School, 0.5 m W. & 0.1 m below Tyndal Stone of the most S. Ely. Cor. of School.

NO.	REVISIONS	DATE	BY
03	ISSUED FOR TENDER	2021.04.09	RS
02	ISSUED FOR 66% REVIEW	2021.03.19	RS
01	ISSUED FOR 30% REVIEW	2021.03.05	RS



DESIGNED BY: RS
CHECKED BY: RS
DRAWN BY: SC
APPROVED BY: RS
SCALE: HORIZONTAL 1:250, VERTICAL 1:50
DATE: 2019.01.15

ENGINEER'S SEAL

RELEASED FOR CONSTRUCTION
DATE



THE CITY OF WINNIPEG
WATER AND WASTE DEPARTMENT
ENGINEERING DIVISION

2021 WATERMAIN RENEWALS
CONTRACT 6
SELKIRK AVENUE
900 E OF McPHILLIPS STREET TO
1000 OF McPHILLIPS STREET

SHEET 11 OF 14
CITY DRAWING NUMBER
D-15992

CONSULTANT DRAWING NUMBER
C-209

TENDER NUMBER: 198-2021

FILE PATH: V:\1112\active\111220140\0300_drawing\0302_sheet_files\02_civil\

PLOT DATE: 2021 04 09