

MATERIALS

WOOD SLATS:

- VERTICAL GRAIN CLEAR SITCA SPRUCE OR CLEAR CEDAR
- FINISH - SIKKENS CETOL No. 078 NATURAL or PAINTED FINISH: GREEN, WALNUT, CEDAR OR GREY (AS SPECIFIED)

METAL LEG OPTIONS:

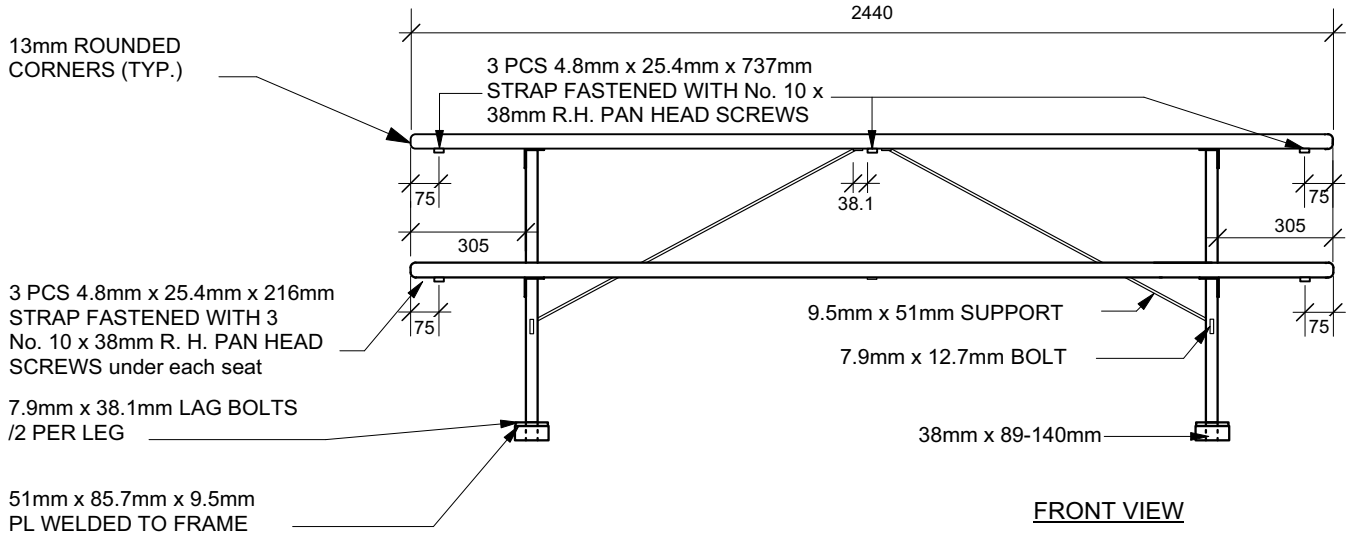
- GALVANIZED

Drawing Title:

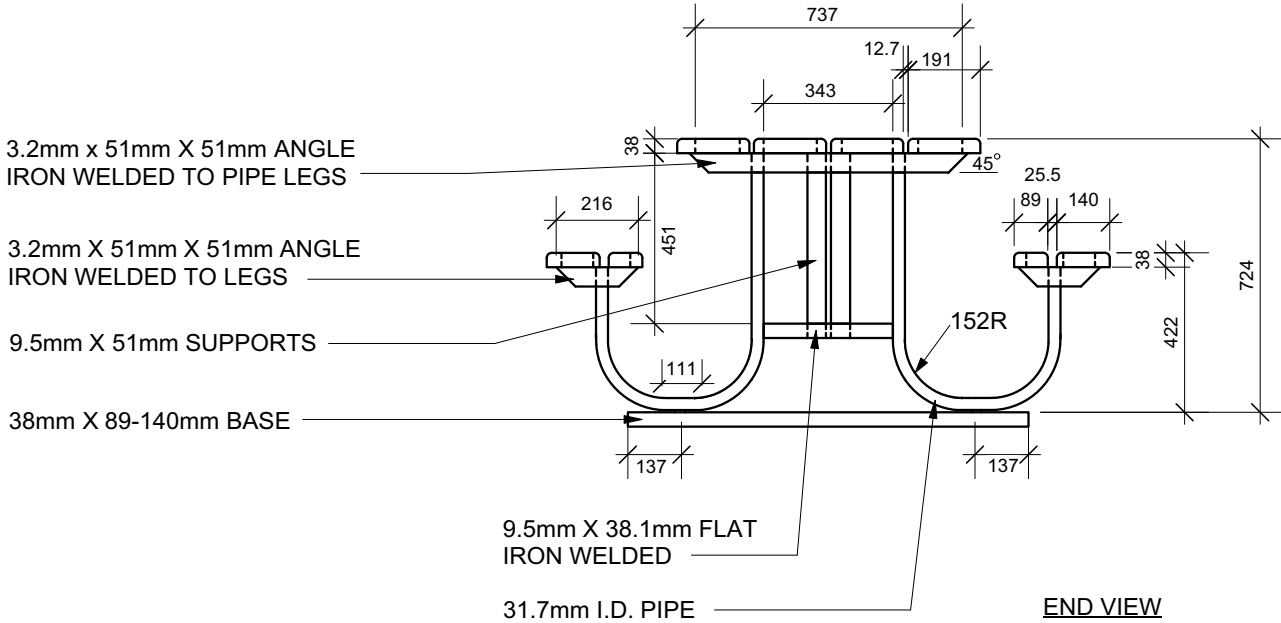
TACHE STYLE METAL FRAME PICNIC TABLE

Drawing No:

SCD-122



FRONT VIEW



END VIEW

NOTE:
ALL TABLE TOP AND SEAT BOARDS TO BE FASTENED TO ANGLE IRONS WITH 8mm CARRIAGE BOLTS, SECURED WITH WASHER AND NUT.

DIMENSIONS SHOWN ARE IN MILLIMETRES UNLESS OTHERWISE SPECIFIED

REVISION: 2
DATE: August 06, 2020
SCALE: N.T.S.
DRAWN BY: GZ

The City of Winnipeg
Planning, Property and Development Department
Parks, Waterways & Community Initiatives Division
Unit 15 - 30 Fort Street, Winnipeg, MB, R3C 4X5

