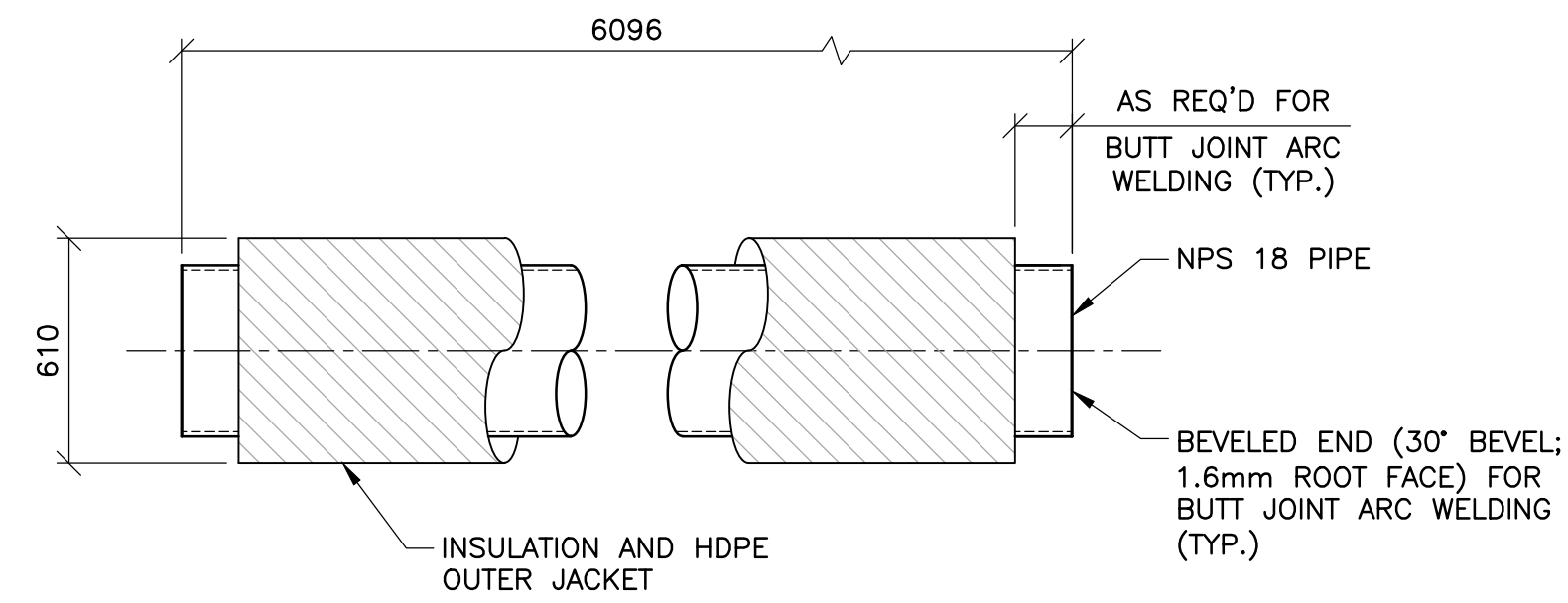
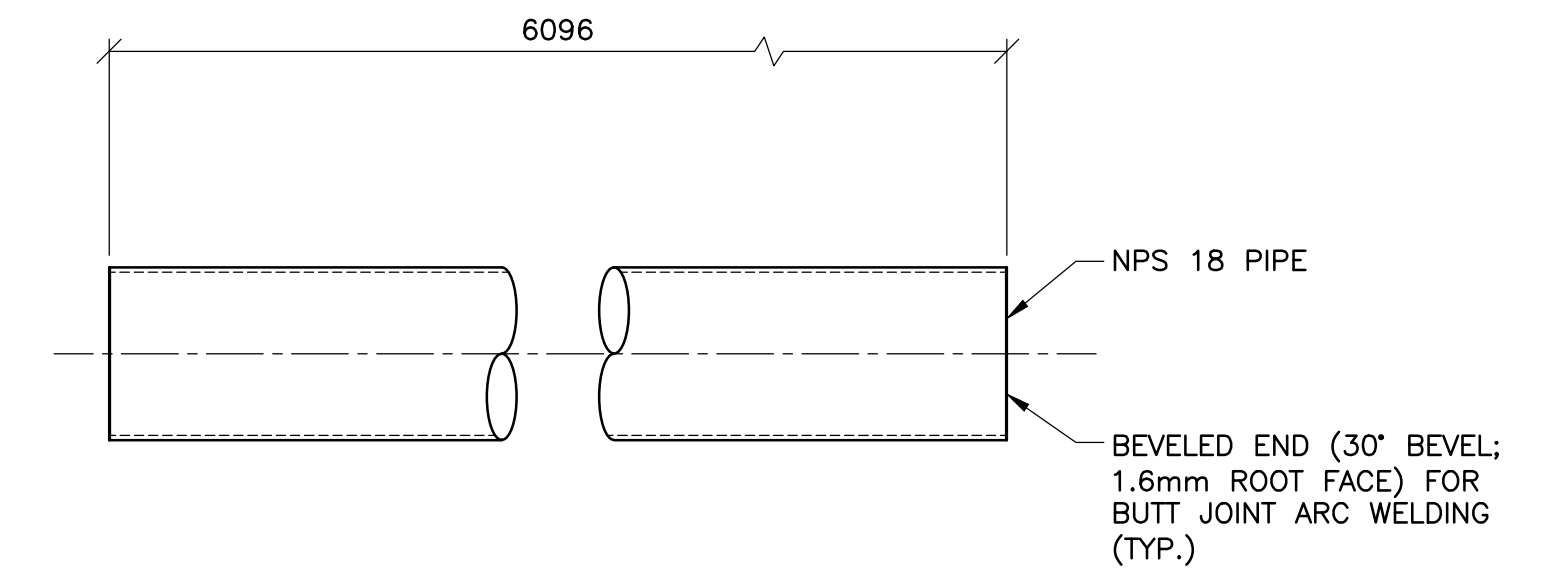


1 TYP. TYPE 1 PRE-INSULATED PIPE SPOOL
1 : 20
QUANTITY REQ'D: 34



2 TYP. TYPE 2 PRE-INSULATED PIPE SPOOL
1 : 20
QUANTITY REQ'D: 3



3 TYP. UN-INSULATED PIPE SPOOL
1 : 20
QUANTITY REQ'D: 2



B.M. ELEV.				ORIGINAL DRAWING REVISION "0" SEALED BY R.C. LOEWEN 20.11.25		THE CITY OF WINNIPEG WATER AND WASTE DEPARTMENT		CITY DRAWING NUMBER	
								BALTIMORE FORCE MAIN CROSSING	
DESIGNED BY	R.L.	CHECKED BY	K.Y.	ACCEPTED BY DATE		CONSULTANT DRAWING NO. 2000120800-DWG-M0002		FORCE MAIN DETAILS MATERIAL SUPPLY	
DRAWN BY	E.V.	APPROVED BY	B.M.						
0 ISSUED FOR TENDER		20.11.25	R.L.	VERTICAL: AS NOTED					
NO.	REVISIONS	DATE	BY	DATE	20.10.29	B. JONES, P. ENG. SENIOR PROJECT ENGINEER			