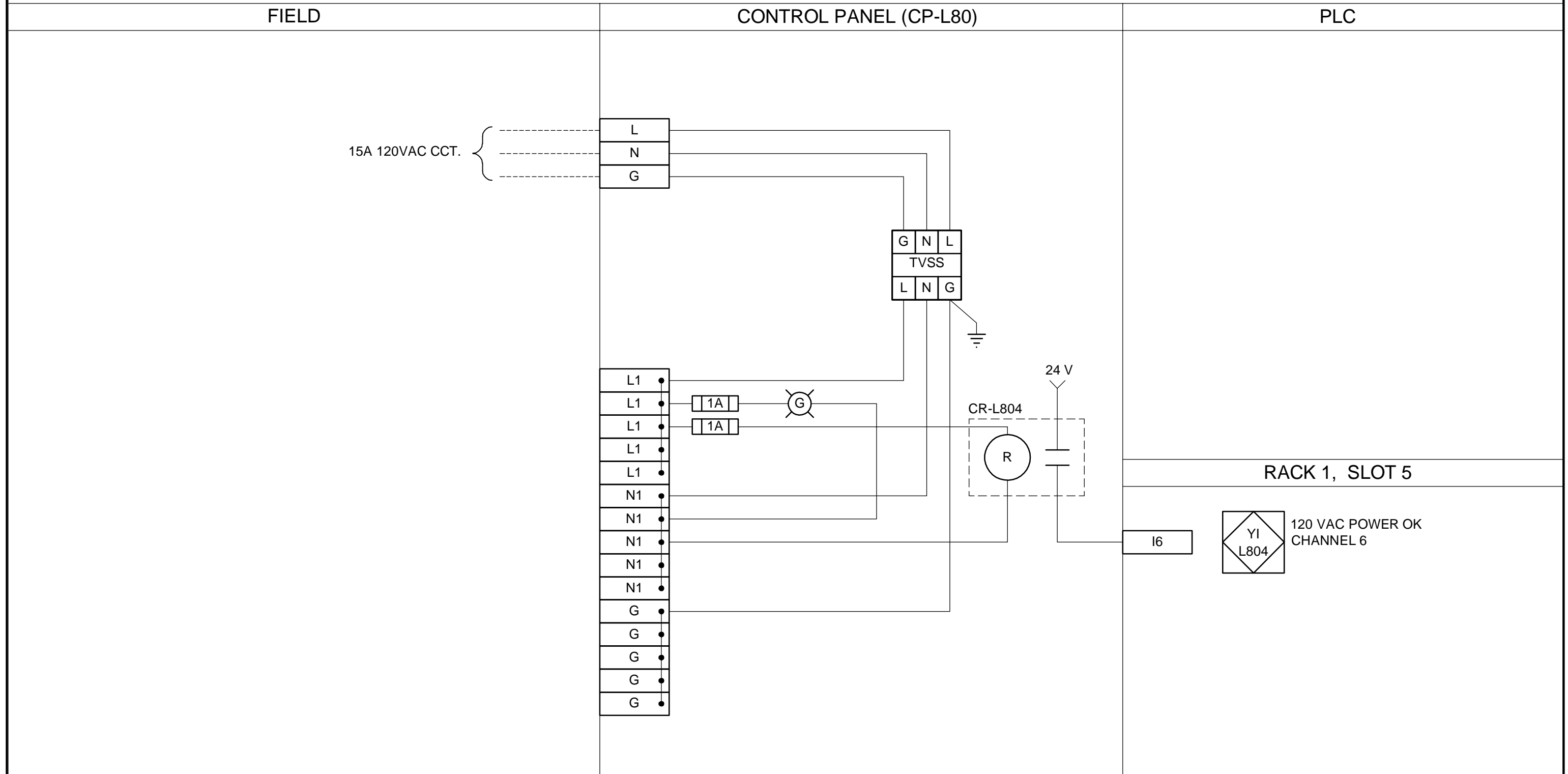


APEGM
 Certificate of Authorization
 Dillon Consulting Limited (MB)
 No. 1789 Date: _____

**PRELIMINARY ONLY
 NOT FOR CONSTRUCTION**

DRAWING NUMBER	REFERENCE DRAWINGS	B.M. ELEV.	CONSTRUCTION COMPLETION DATE: YYYY MM DD				ENGINEER'S SEAL		THE CITY OF WINNIPEG WATER AND WASTE DEPARTMENT ENGINEERING DIVISION		SHEET 01 OF 15
		NO.									REVISIONS
		3	ISSUED FOR TENDER	09/08/20	BLM	DRAWN BY: SCK	APPROVED BY: BLM				CITY DRAWING NUMBER: 1-0194L-A0001-001
		2	ISSUED FOR 99% CLIENT REVIEW	07/31/20	BLM	SCALE: HORIZONTAL	RELEASED FOR CONSTRUCTION				
		1	ISSUED FOR 66% CLIENT REVIEW	06/15/20	BLM	SCALE: VERTICAL					
						DATE: 2020 09 08	DATE:				
PLOT DATE: 2020 09 08						BID OPPORTUNITY: CONTRACT NUMBER: X		FILE PATH: C:\pw working directory\projects 2020\40skk\ldms28535\202316-SCHEM-01.dwg		WESTWOOD WASTEWATER PUMPING STATION UPGRADES	
								VFD AND MOTOR MTR-L01 CONTROL (TYPICAL)			

INSTRUMENT LOOP DIAGRAM



**PRELIMINARY ONLY
NOT FOR CONSTRUCTION**



B.M. ELEV.	
CONSTRUCTION COMPLETION DATE: YYYY MM DD	
NO.	REVISIONS
3	ISSUED FOR TENDER 09/08/20 BLM
2	ISSUED FOR 99% CLIENT REVIEW 07/31/20 BLM
1	ISSUED FOR 66% CLIENT REVIEW 06/15/20 BLM



DESIGNED BY	BKB	CHECKED BY	BLM
DRAWN BY	SCK	APPROVED BY	BLM
SCALE:	NTS	RELEASED FOR CONSTRUCTION	
HORIZONTAL			
VERTICAL			
DATE	2020 09 08	DATE	

ENGINEER'S SEAL

CONSULTANT PROJECT NUMBER
202316



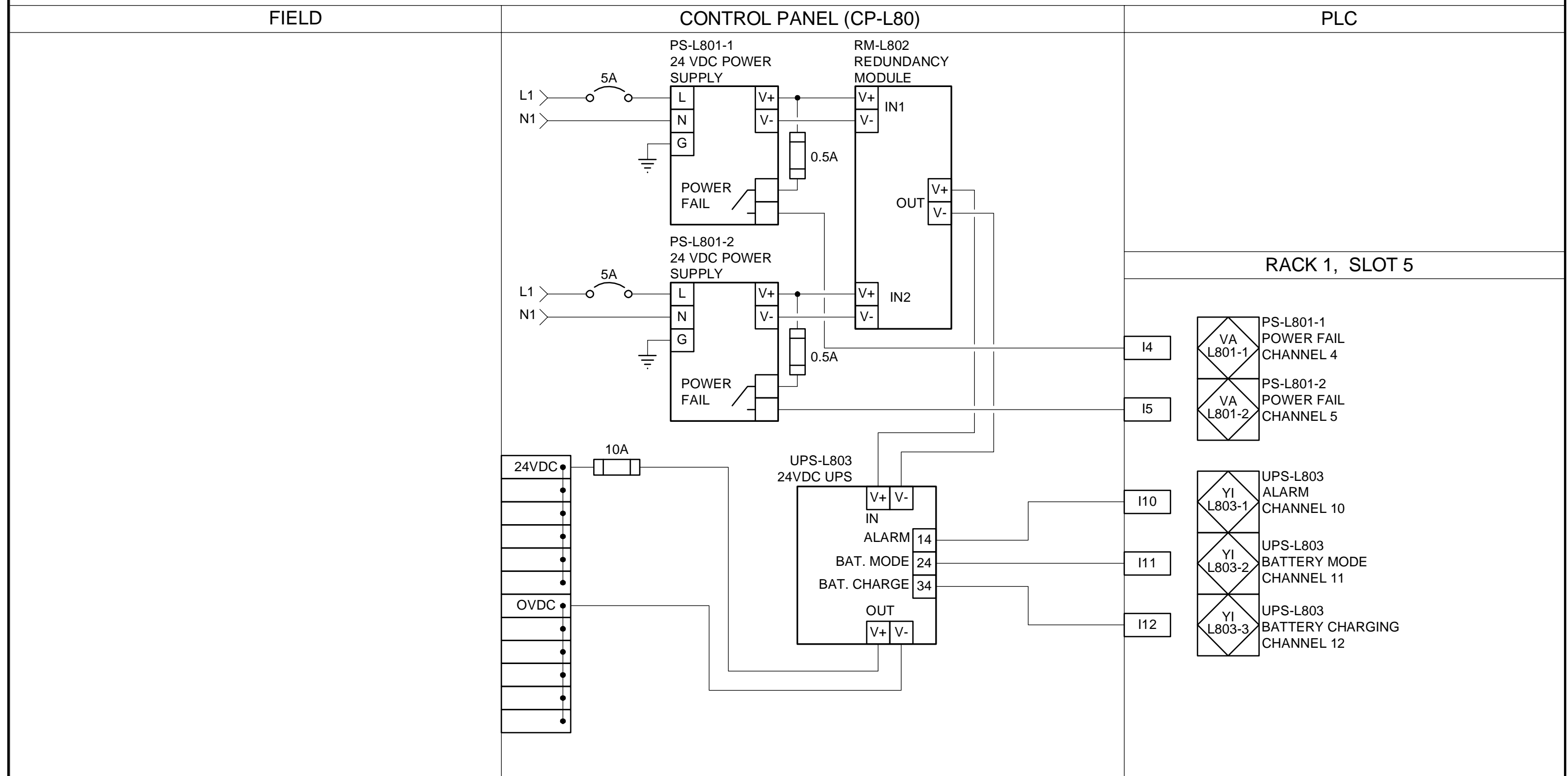
THE CITY OF WINNIPEG
WATER AND WASTE DEPARTMENT
ENGINEERING DIVISION

WESTWOOD WASTEWATER PUMPING STATION UPGRADES

120 VAC POWER SUPPLY

SHEET 02 OF 15
CONSULTANT DRAWING NUMBER
L-02
CITY DRAWING NUMBER
1-0194L-A0002-001

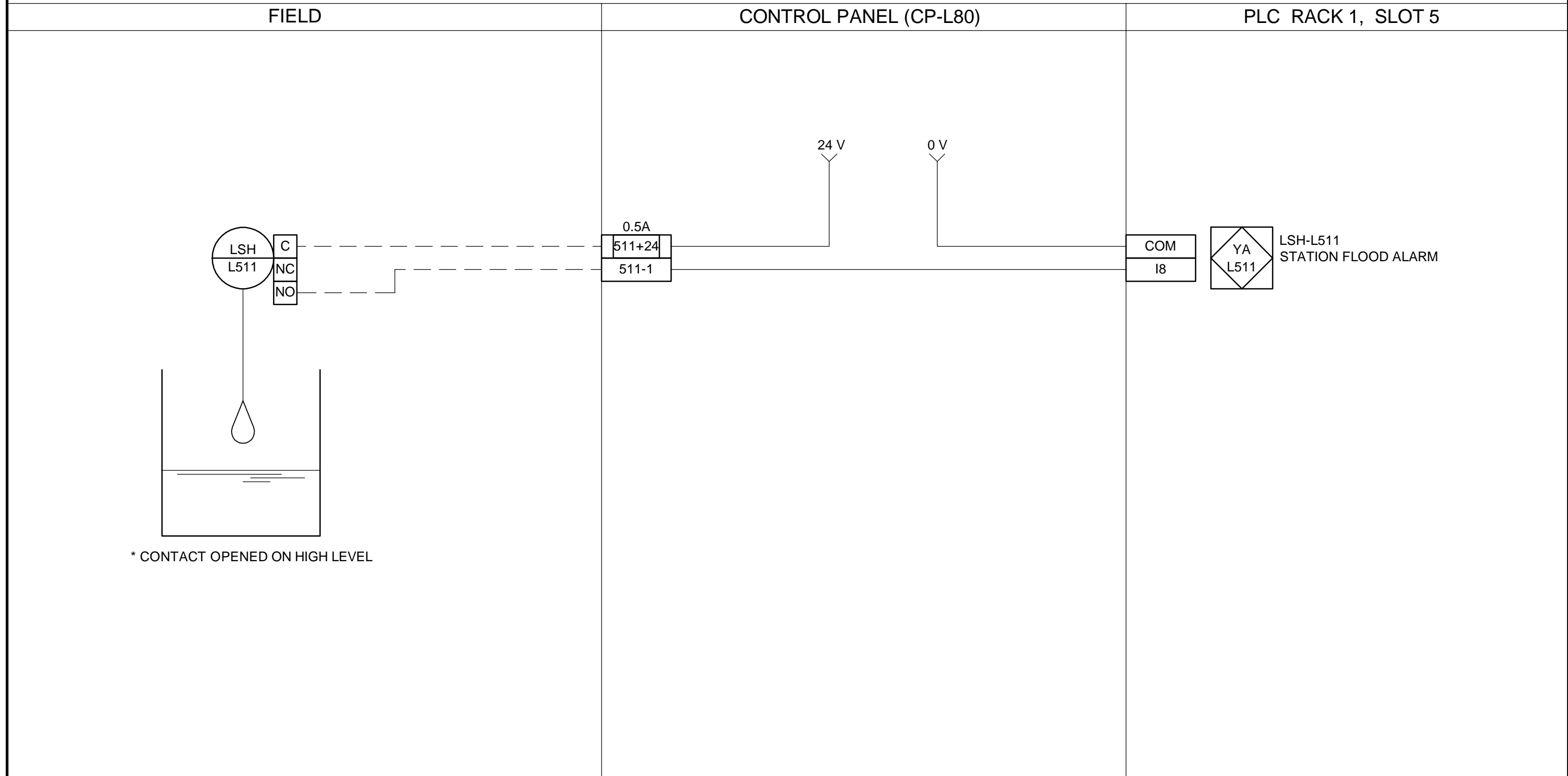
INSTRUMENT LOOP DIAGRAM



<p>PRELIMINARY ONLY NOT FOR CONSTRUCTION</p> <p>MAPEGN Certificate of Authorization Dillon Consulting Limited (MB) No. 1789 Date: _____</p>	B.M. ELEV. CONSTRUCTION COMPLETION DATE: YYYY MM DD	<p>DILLON CONSULTING</p> <table border="0" style="width: 100%; font-size: 8px;"> <tr> <td>DESIGNED BY</td> <td>BKB</td> <td>CHECKED BY</td> <td>BLM</td> </tr> <tr> <td>DRAWN BY</td> <td>SCK</td> <td>APPROVED BY</td> <td>BLM</td> </tr> <tr> <td>SCALE:</td> <td>NTS</td> <td>RELEASED FOR CONSTRUCTION</td> <td></td> </tr> <tr> <td>HORIZONTAL</td> <td></td> <td></td> <td></td> </tr> <tr> <td>VERTICAL</td> <td></td> <td></td> <td></td> </tr> </table>	DESIGNED BY	BKB	CHECKED BY	BLM	DRAWN BY	SCK	APPROVED BY	BLM	SCALE:	NTS	RELEASED FOR CONSTRUCTION		HORIZONTAL				VERTICAL				ENGINEER'S SEAL CONSULTANT PROJECT NUMBER <p style="font-size: 12px; margin: 0;">202316</p>	<p>THE CITY OF WINNIPEG WATER AND WASTE DEPARTMENT ENGINEERING DIVISION</p>	SHEET 03 OF 15 CONSULTANT DRAWING NUMBER <p style="font-size: 16px; margin: 0;">L-03</p> CITY DRAWING NUMBER 1-0194L-A0003-001
	DESIGNED BY		BKB	CHECKED BY	BLM																				
DRAWN BY	SCK	APPROVED BY	BLM																						
SCALE:	NTS	RELEASED FOR CONSTRUCTION																							
HORIZONTAL																									
VERTICAL																									
DRAWING NUMBER REFERENCE DRAWINGS	NO. REVISIONS DATE BY																								

 SCALE: HORIZONTAL VERTICAL DATE 2020 09 08 PLOT DATE: 2020 09 08 | WESTWOOD WASTEWATER PUMPING STATION UPGRADES 24 VDC POWER SUPPLY |

INSTRUMENT LOOP DIAGRAM



* CONTACT OPENED ON HIGH LEVEL

**PRELIMINARY ONLY
NOT FOR CONSTRUCTION**

MAPEGN
Certificate of Authorization
Dillon Consulting Limited (MB)
No. 1789 Date: _____

B.M. ELEV.			
CONSTRUCTION COMPLETION DATE: YYYY MM DD			
NO.	REVISIONS	DATE	BY
3	ISSUED FOR TENDER	09/08/20	BLM
2	ISSUED FOR 99% CLIENT REVIEW	07/31/20	BLM
1	ISSUED FOR 66% CLIENT REVIEW	06/15/20	BLM



DESIGNED BY	BKB	CHECKED BY	BLM
DRAWN BY	SCK	APPROVED BY	BLM
SCALE:	NTS	RELEASED FOR CONSTRUCTION	
HORIZONTAL			
VERTICAL			
DATE	2020 09 08	DATE	

ENGINEER'S SEAL
CONSULTANT PROJECT NUMBER
202316



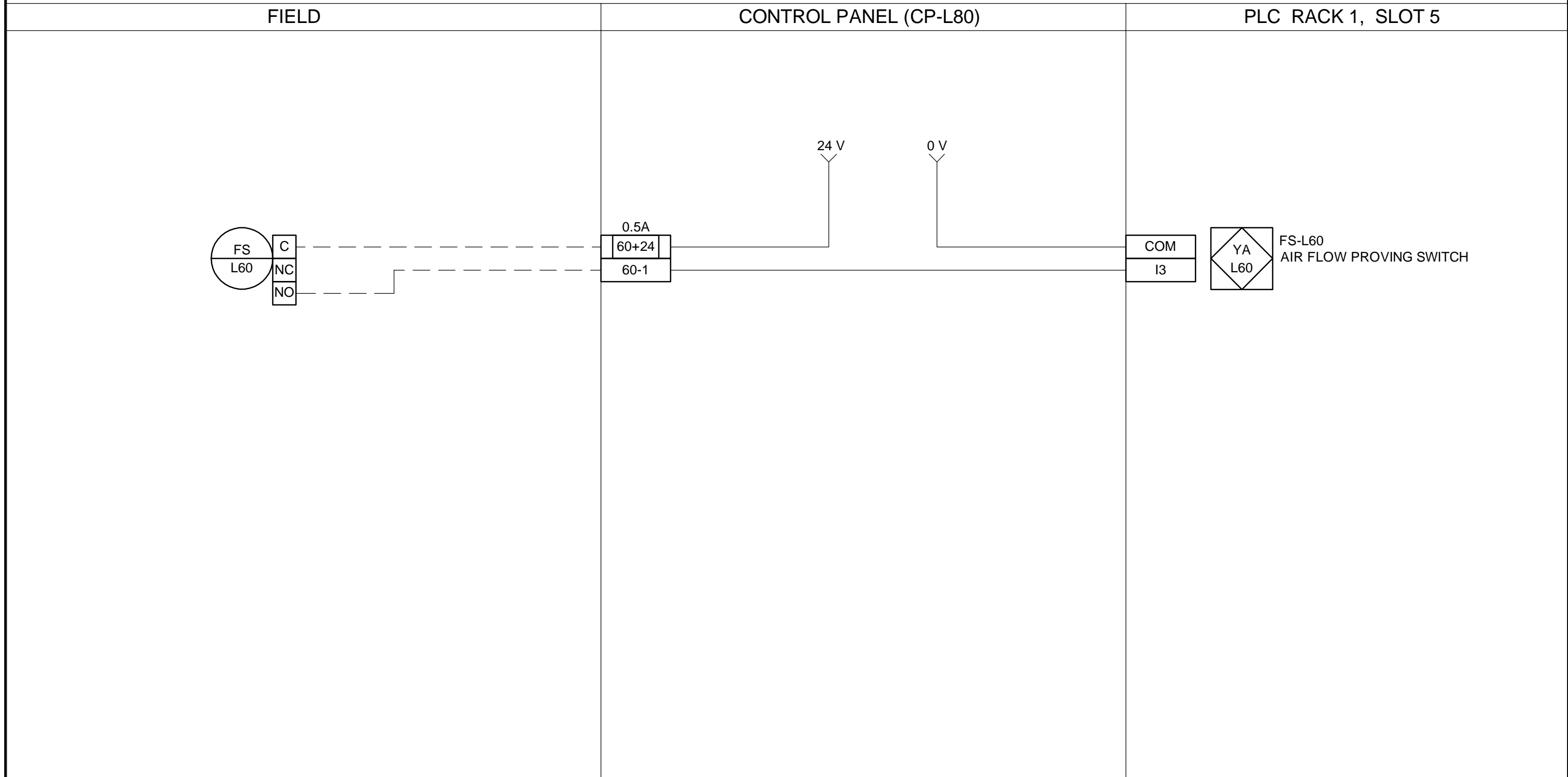
THE CITY OF WINNIPEG
WATER AND WASTE DEPARTMENT
ENGINEERING DIVISION

WESTWOOD WASTEWATER PUMPING STATION UPGRADES

STATION FLOOD LIMIT SWITCH LSH-L511 (TYPICAL)

SHEET 04 OF 15
CONSULTANT DRAWING NUMBER
L-04
CITY DRAWING NUMBER
1-0194L-A0004-001

INSTRUMENT LOOP DIAGRAM



**PRELIMINARY ONLY
NOT FOR CONSTRUCTION**



B.M. ELEV.			
CONSTRUCTION COMPLETION DATE: YYYY MM DD			
NO.	REVISIONS	DATE	BY
3	ISSUED FOR TENDER	09/08/20	BLM
2	ISSUED FOR 99% CLIENT REVIEW	07/31/20	BLM
1	ISSUED FOR 66% CLIENT REVIEW	06/15/20	BLM



DESIGNED BY	BKB	CHECKED BY	BLM
DRAWN BY	SCK	APPROVED BY	BLM
SCALE:	NTS	RELEASED FOR CONSTRUCTION	
HORIZONTAL			
VERTICAL			
DATE	2020 09 08	DATE	

ENGINEER'S SEAL	
CONSULTANT PROJECT NUMBER	202316



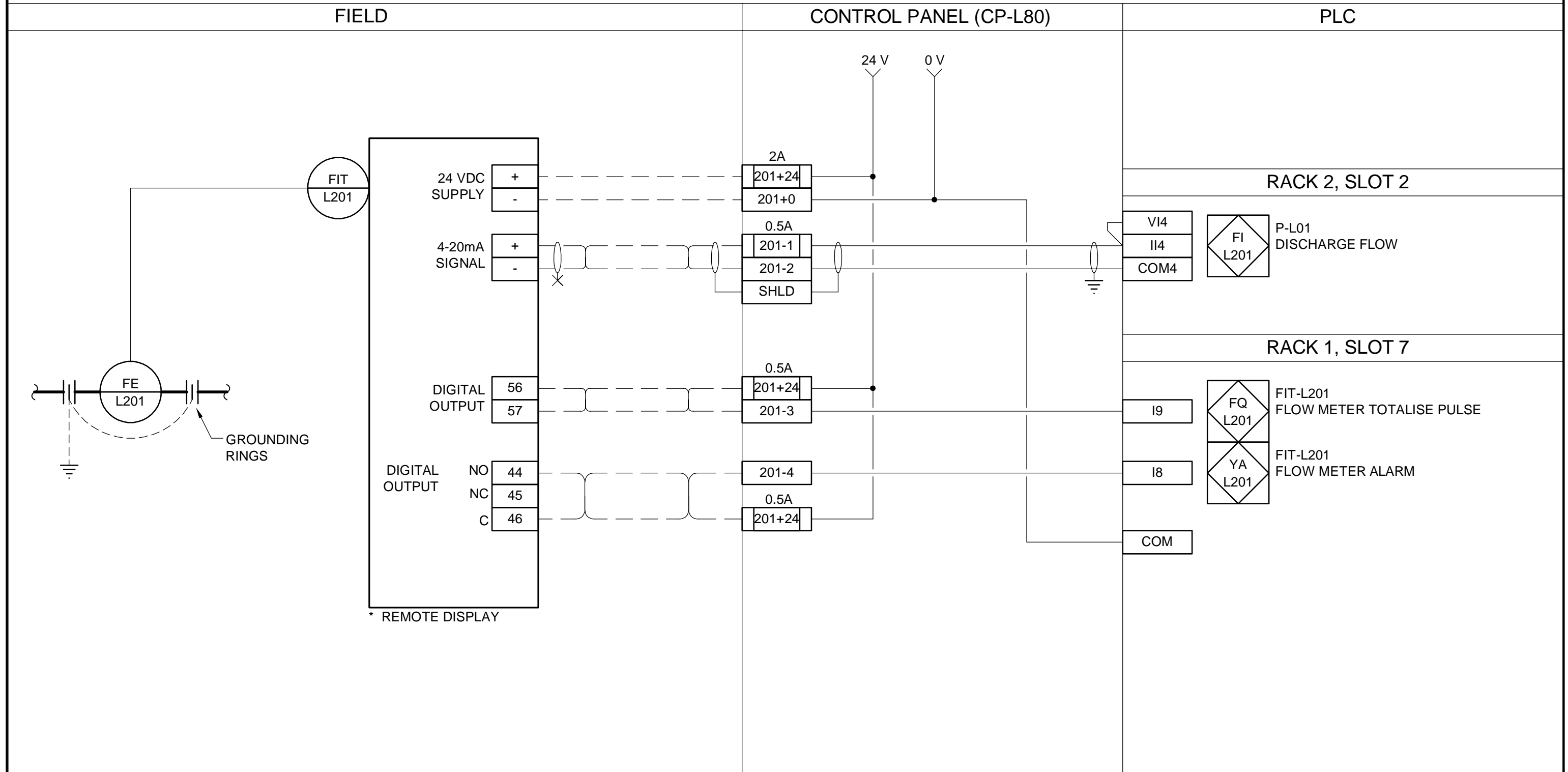
THE CITY OF WINNIPEG
WATER AND WASTE DEPARTMENT
ENGINEERING DIVISION

WESTWOOD WASTEWATER PUMPING STATION UPGRADES

AIR FLOW PROVING SWITCH FS-L60

SHEET 05 OF 15
CONSULTANT DRAWING NUMBER L-05
CITY DRAWING NUMBER 1-0194L-A0005-001

INSTRUMENT LOOP DIAGRAM



* REMOTE DISPLAY

**PRELIMINARY ONLY
NOT FOR CONSTRUCTION**



B.M. ELEV.			
CONSTRUCTION COMPLETION DATE: YYYY MM DD			
NO.	REVISIONS	DATE	BY
3	ISSUED FOR TENDER	09/08/20	BLM
2	ISSUED FOR 99% CLIENT REVIEW	07/31/20	BLM
1	ISSUED FOR 66% CLIENT REVIEW	06/15/20	BLM



DESIGNED BY	BKB	CHECKED BY	BLM
DRAWN BY	SCK	APPROVED BY	BLM
SCALE:	NTS	RELEASED FOR CONSTRUCTION	
HORIZONTAL			
VERTICAL			
DATE	2020 09 08	DATE	

ENGINEER'S SEAL

CONSULTANT PROJECT NUMBER
202316



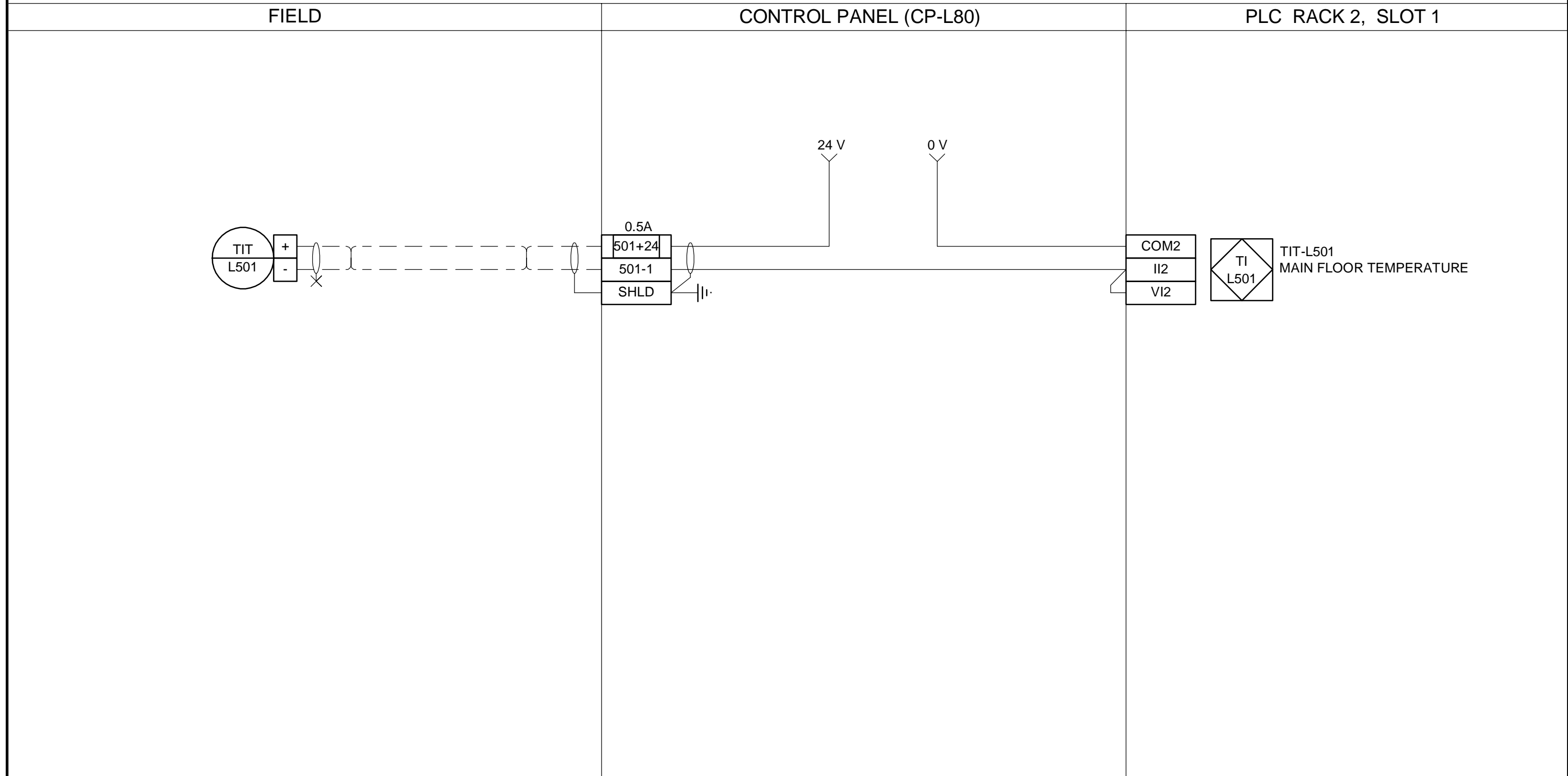
THE CITY OF WINNIPEG
WATER AND WASTE DEPARTMENT
ENGINEERING DIVISION

WESTWOOD WASTEWATER PUMPING STATION UPGRADES

FLOW METER FAULT AND FLOW FE/FIT-L201 (TYPICAL)

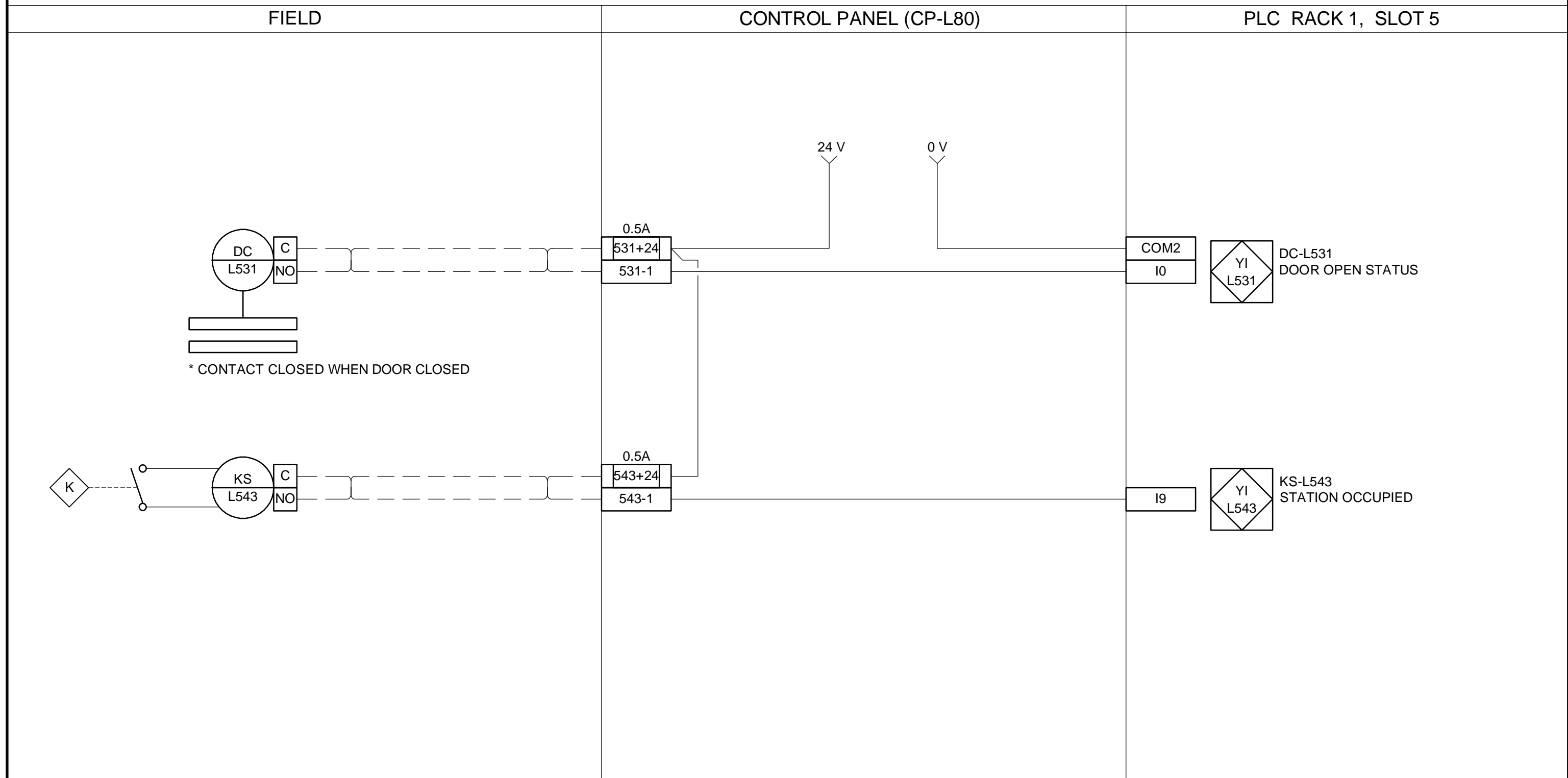
SHEET	06 OF 15
CONSULTANT DRAWING NUMBER	L-06
CITY DRAWING NUMBER	1-0194L-A0006-001

INSTRUMENT LOOP DIAGRAM



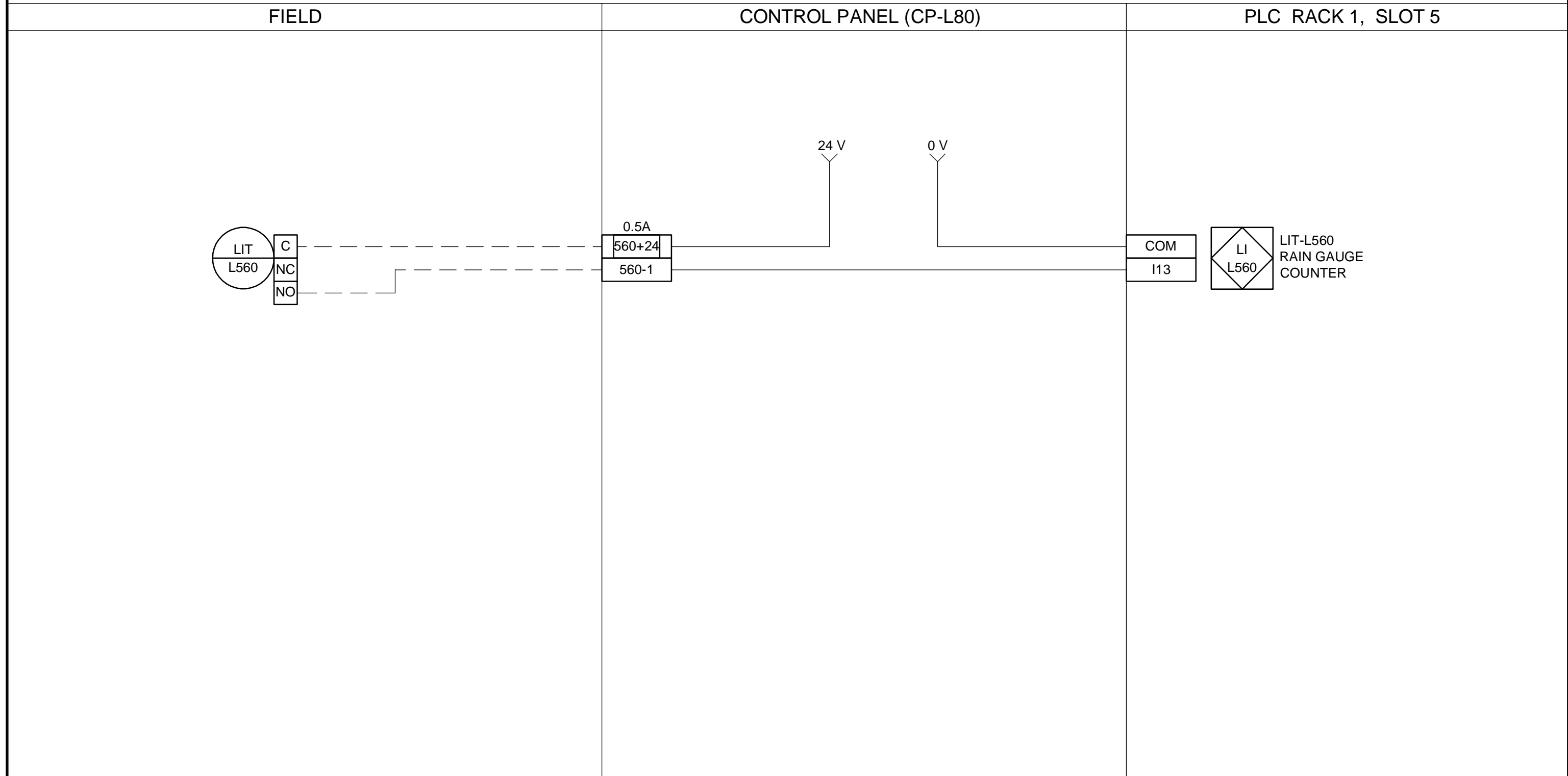
<p>PRELIMINARY ONLY NOT FOR CONSTRUCTION</p> <p>MAPEGN Certificate of Authorization Dillon Consulting Limited (MB) No. 1789 Date: _____</p>	B.M. ELEV. CONSTRUCTION COMPLETION DATE: YYYY MM DD	 DILLON CONSULTING	ENGINEER'S SEAL CONSULTANT PROJECT NUMBER 202316	 THE CITY OF WINNIPEG WATER AND WASTE DEPARTMENT ENGINEERING DIVISION	SHEET 07 OF 15 CONSULTANT DRAWING NUMBER <p style="font-size: 1.2em; font-weight: bold; text-align: center;">L-07</p> CITY DRAWING NUMBER 1-0194L-A0007-001																																					
	<table border="1" style="width: 100%; border-collapse: collapse;"> <thead> <tr> <th>NO.</th> <th>REVISIONS</th> <th>DATE</th> <th>BY</th> </tr> </thead> <tbody> <tr> <td>3</td> <td>ISSUED FOR TENDER</td> <td>09/08/20</td> <td>BLM</td> </tr> <tr> <td>2</td> <td>ISSUED FOR 99% CLIENT REVIEW</td> <td>07/31/20</td> <td>BLM</td> </tr> <tr> <td>1</td> <td>ISSUED FOR 66% CLIENT REVIEW</td> <td>06/15/20</td> <td>BLM</td> </tr> </tbody> </table>				NO.	REVISIONS	DATE	BY	3	ISSUED FOR TENDER	09/08/20	BLM	2	ISSUED FOR 99% CLIENT REVIEW	07/31/20	BLM	1	ISSUED FOR 66% CLIENT REVIEW	06/15/20	BLM	<table border="1" style="width: 100%; border-collapse: collapse;"> <tr> <td>DESIGNED BY</td> <td>BKB</td> <td>CHECKED BY</td> <td>BLM</td> </tr> <tr> <td>DRAWN BY</td> <td>SCK</td> <td>APPROVED BY</td> <td>BLM</td> </tr> <tr> <td>SCALE:</td> <td>NTS</td> <td>RELEASED FOR CONSTRUCTION</td> <td></td> </tr> <tr> <td>HORIZONTAL</td> <td></td> <td></td> <td></td> </tr> <tr> <td>VERTICAL</td> <td></td> <td></td> <td></td> </tr> <tr> <td>DATE</td> <td>2020 09 08</td> <td>DATE</td> <td></td> </tr> </table>	DESIGNED BY	BKB	CHECKED BY	BLM	DRAWN BY	SCK	APPROVED BY	BLM	SCALE:	NTS	RELEASED FOR CONSTRUCTION		HORIZONTAL				VERTICAL				DATE
NO.	REVISIONS	DATE	BY																																							
3	ISSUED FOR TENDER	09/08/20	BLM																																							
2	ISSUED FOR 99% CLIENT REVIEW	07/31/20	BLM																																							
1	ISSUED FOR 66% CLIENT REVIEW	06/15/20	BLM																																							
DESIGNED BY	BKB	CHECKED BY	BLM																																							
DRAWN BY	SCK	APPROVED BY	BLM																																							
SCALE:	NTS	RELEASED FOR CONSTRUCTION																																								
HORIZONTAL																																										
VERTICAL																																										
DATE	2020 09 08	DATE																																								

INSTRUMENT LOOP DIAGRAM



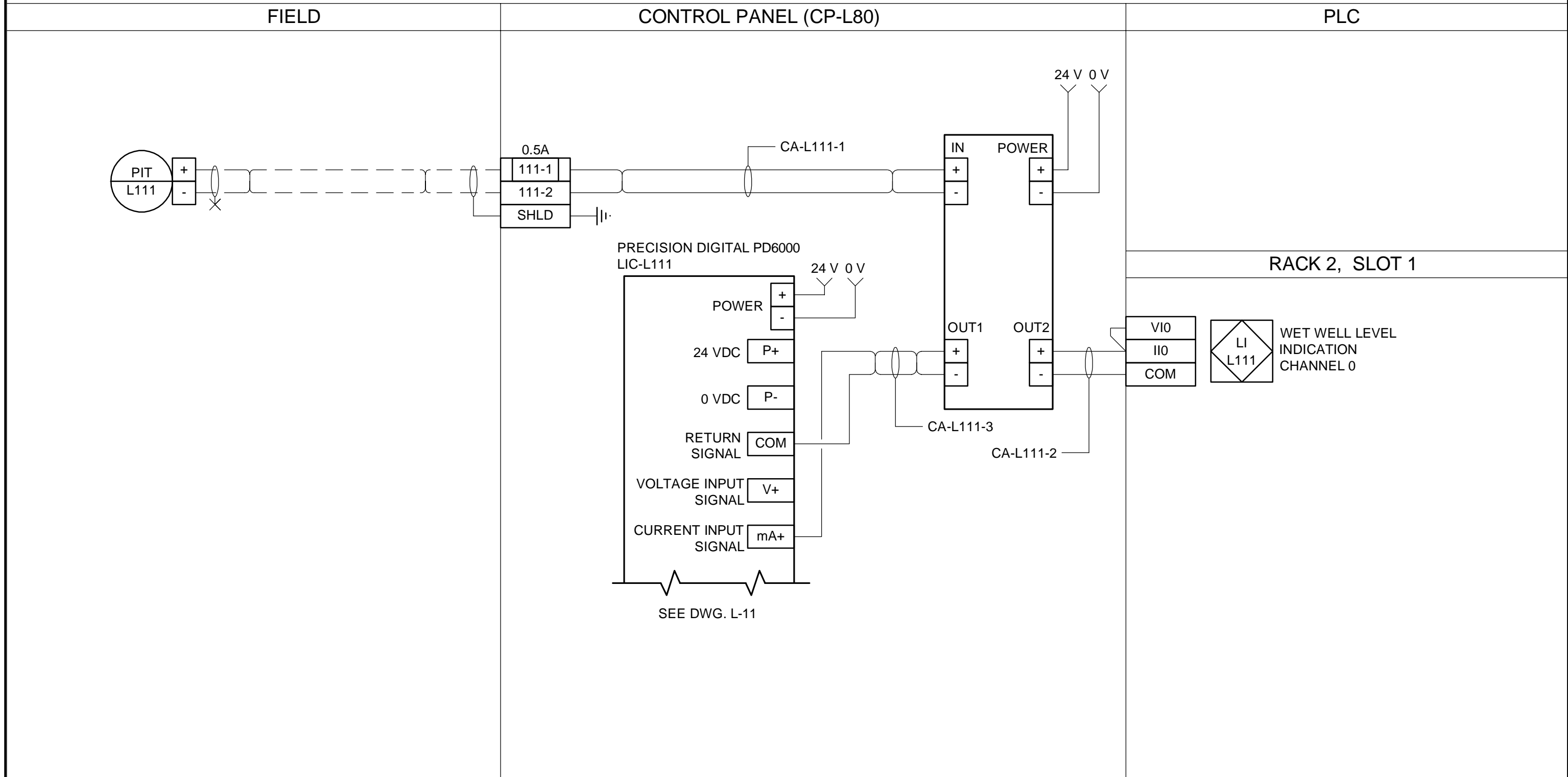
<p>PRELIMINARY ONLY NOT FOR CONSTRUCTION</p> <p>MAPEGN Certificate of Authorization Dillon Consulting Limited (MB) No. 1789 Date: _____</p>	B.M. ELEV. _____ CONSTRUCTION COMPLETION DATE: YYYY MM DD _____	<p>DILLON CONSULTING</p>	ENGINEER'S SEAL _____ _____	<p>THE CITY OF WINNIPEG WATER AND WASTE DEPARTMENT ENGINEERING DIVISION</p>	SHEET 08 OF 15 CONSULTANT DRAWING NUMBER <p style="font-size: 16px; font-weight: bold; text-align: center;">L-08</p> CITY DRAWING NUMBER 1-0194L-A0008-001																																						
	<table border="1" style="width: 100%; border-collapse: collapse;"> <thead> <tr> <th>NO.</th> <th>REVISIONS</th> <th>DATE</th> <th>BY</th> </tr> </thead> <tbody> <tr> <td>3</td> <td>ISSUED FOR TENDER</td> <td>09/08/20</td> <td>BLM</td> </tr> <tr> <td>2</td> <td>ISSUED FOR 99% CLIENT REVIEW</td> <td>07/31/20</td> <td>BLM</td> </tr> <tr> <td>1</td> <td>ISSUED FOR 66% CLIENT REVIEW</td> <td>06/15/20</td> <td>BLM</td> </tr> </tbody> </table>		NO.		REVISIONS	DATE	BY	3	ISSUED FOR TENDER	09/08/20	BLM	2	ISSUED FOR 99% CLIENT REVIEW	07/31/20	BLM	1	ISSUED FOR 66% CLIENT REVIEW	06/15/20	BLM	<table border="1" style="width: 100%; border-collapse: collapse;"> <tr> <td>DESIGNED BY</td> <td>BKB</td> <td>CHECKED BY</td> <td>BLM</td> </tr> <tr> <td>DRAWN BY</td> <td>SCK</td> <td>APPROVED BY</td> <td>BLM</td> </tr> <tr> <td>SCALE:</td> <td>NTS</td> <td>RELEASED FOR CONSTRUCTION</td> <td></td> </tr> <tr> <td>HORIZONTAL</td> <td></td> <td></td> <td></td> </tr> <tr> <td>VERTICAL</td> <td></td> <td></td> <td></td> </tr> <tr> <td>DATE</td> <td>2020 09 08</td> <td>DATE</td> <td></td> </tr> </table>	DESIGNED BY	BKB	CHECKED BY	BLM	DRAWN BY	SCK	APPROVED BY	BLM	SCALE:	NTS	RELEASED FOR CONSTRUCTION		HORIZONTAL				VERTICAL				DATE	2020 09 08	DATE
NO.	REVISIONS	DATE	BY																																								
3	ISSUED FOR TENDER	09/08/20	BLM																																								
2	ISSUED FOR 99% CLIENT REVIEW	07/31/20	BLM																																								
1	ISSUED FOR 66% CLIENT REVIEW	06/15/20	BLM																																								
DESIGNED BY	BKB	CHECKED BY	BLM																																								
DRAWN BY	SCK	APPROVED BY	BLM																																								
SCALE:	NTS	RELEASED FOR CONSTRUCTION																																									
HORIZONTAL																																											
VERTICAL																																											
DATE	2020 09 08	DATE																																									

INSTRUMENT LOOP DIAGRAM



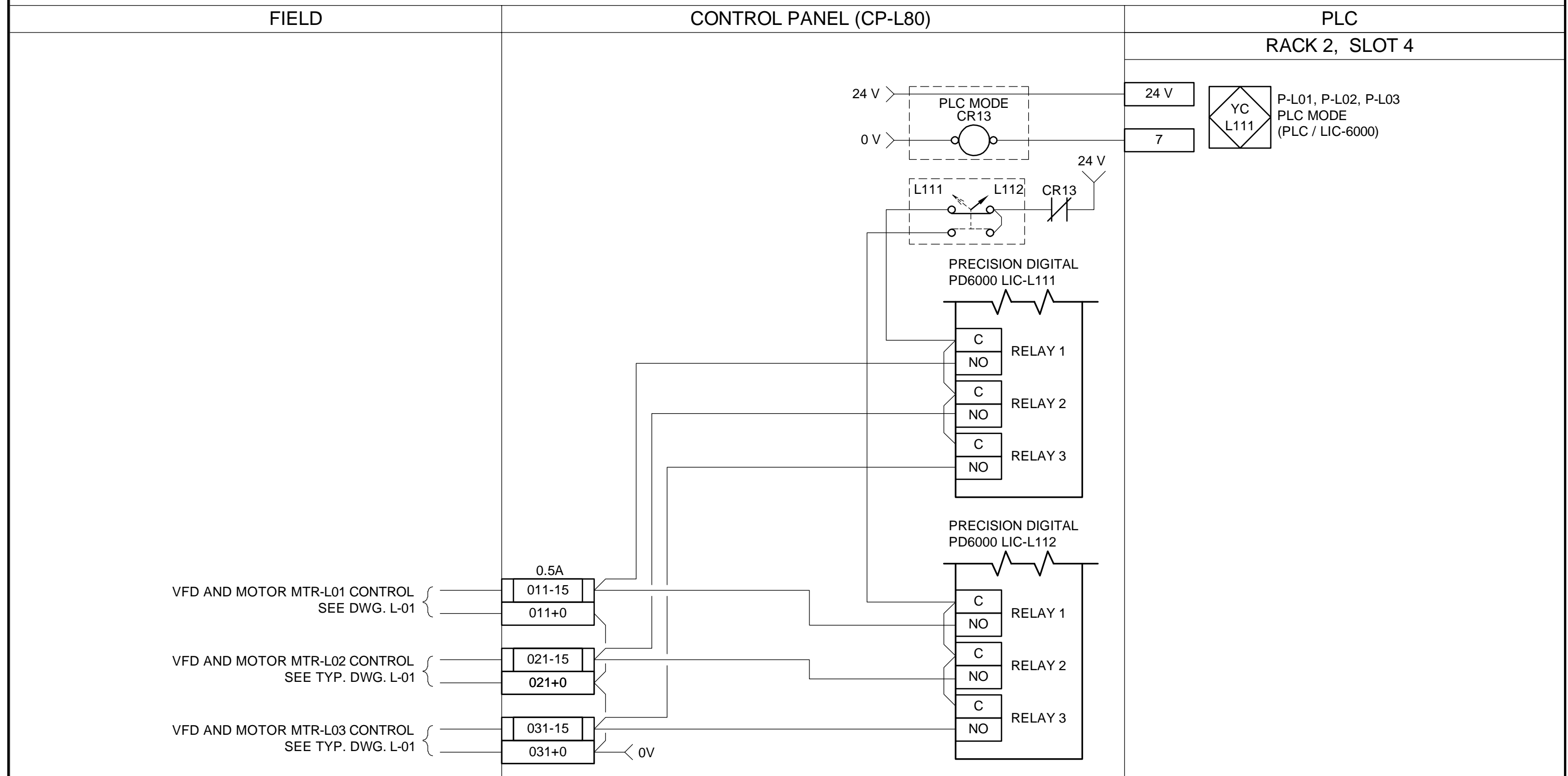
<p>PRELIMINARY ONLY NOT FOR CONSTRUCTION</p> <p>MAPEGN Certificate of Authorization Dillon Consulting Limited (MB) No. 1789 Date: _____</p>	B.M. ELEV. _____ CONSTRUCTION COMPLETION DATE: YYYY MM DD _____	 DESIGNED BY: BKB CHECKED BY: BLM DRAWN BY: SK APPROVED BY: BLM SCALE: NTS RELEASED FOR CONSTRUCTION HORIZONTAL VERTICAL DATE: 2020 09 08 DATE: _____	ENGINEER'S SEAL CONSULTANT PROJECT NUMBER <p style="font-size: 12px; font-weight: bold;">202316</p>	 <p style="font-weight: bold; font-size: 14px;">THE CITY OF WINNIPEG</p> WATER AND WASTE DEPARTMENT ENGINEERING DIVISION WESTWOOD WASTEWATER PUMPING STATION UPGRADES RAIN GAUGE	SHEET 09 OF 15 CONSULTANT DRAWING NUMBER <p style="font-size: 18px; font-weight: bold; text-align: center;">L-09</p> CITY DRAWING NUMBER 1-0194L-A0009-001												
	<table border="1" style="width: 100%; border-collapse: collapse;"> <thead> <tr> <th style="width: 5%;">NO.</th> <th style="width: 45%;">REVISIONS</th> <th style="width: 15%;">DATE</th> <th style="width: 35%;">BY</th> </tr> </thead> <tbody> <tr> <td>3</td> <td>ISSUED FOR TENDER</td> <td>09/08/20</td> <td>BLM</td> </tr> <tr> <td>2</td> <td>ISSUED FOR 99% CLIENT REVIEW</td> <td>07/31/20</td> <td>BLM</td> </tr> <tr> <td>1</td> <td>ISSUED FOR 66% CLIENT REVIEW</td> <td>06/15/20</td> <td>BLM</td> </tr> </tbody> </table>				NO.	REVISIONS	DATE	BY	3	ISSUED FOR TENDER	09/08/20	BLM	2	ISSUED FOR 99% CLIENT REVIEW	07/31/20	BLM	1
NO.	REVISIONS	DATE	BY														
3	ISSUED FOR TENDER	09/08/20	BLM														
2	ISSUED FOR 99% CLIENT REVIEW	07/31/20	BLM														
1	ISSUED FOR 66% CLIENT REVIEW	06/15/20	BLM														

INSTRUMENT LOOP DIAGRAM



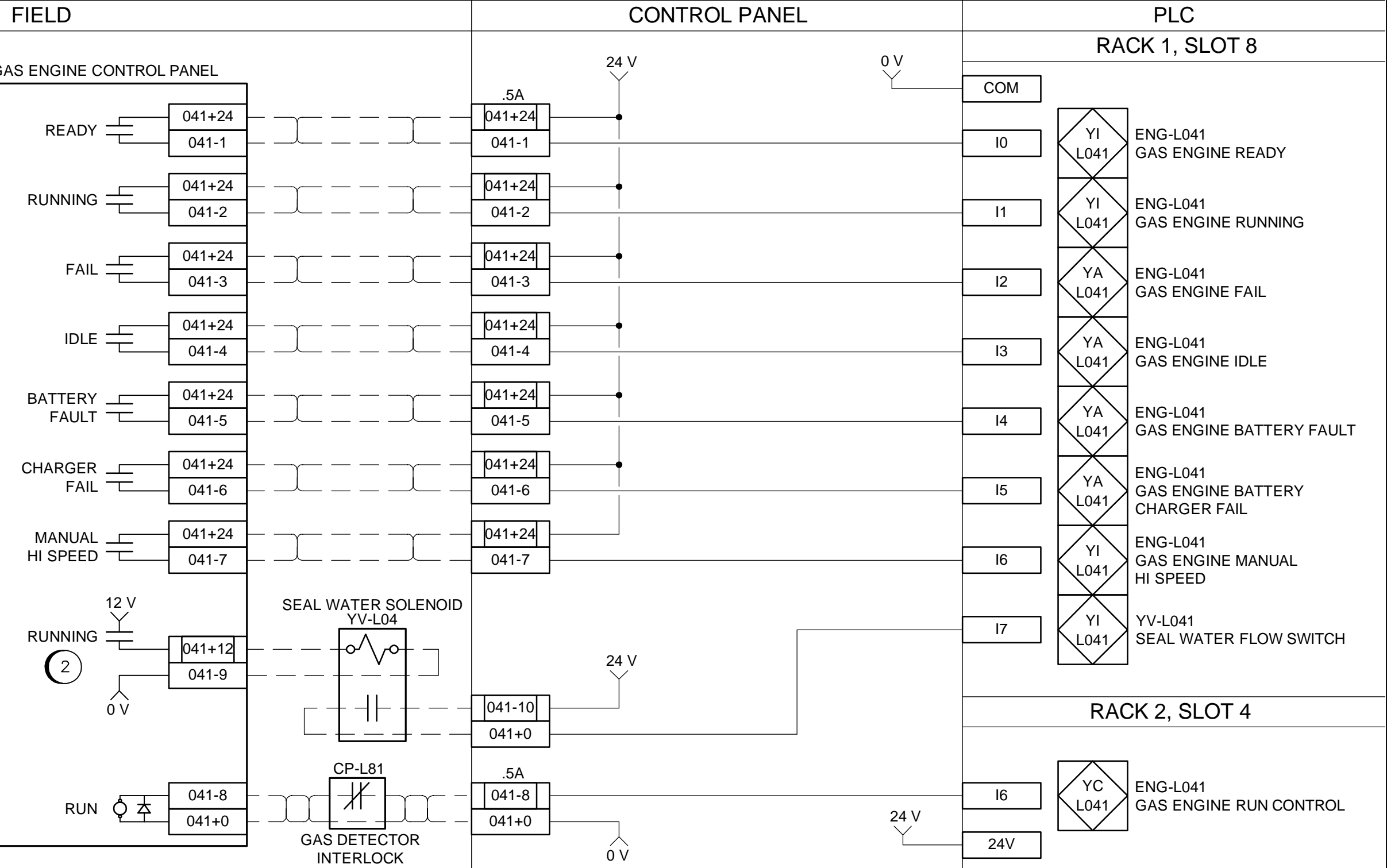
<p>PRELIMINARY ONLY NOT FOR CONSTRUCTION</p> <p>MAPEGM Certificate of Authorization Dillon Consulting Limited (MB) No. 1789 Date: _____</p>	B.M. ELEV. _____ CONSTRUCTION COMPLETION DATE: YYYY MM DD _____	<p>DILLON CONSULTING</p> <table border="1" style="width: 100%; font-size: 8px;"> <tr> <td>DESIGNED BY</td> <td>BKB</td> <td>CHECKED BY</td> <td>BLM</td> </tr> <tr> <td>DRAWN BY</td> <td>SCK</td> <td>APPROVED BY</td> <td>BLM</td> </tr> <tr> <td>SCALE:</td> <td>NTS</td> <td>RELEASED FOR CONSTRUCTION</td> <td></td> </tr> <tr> <td>HORIZONTAL</td> <td></td> <td></td> <td></td> </tr> <tr> <td>VERTICAL</td> <td></td> <td></td> <td></td> </tr> </table>	DESIGNED BY	BKB	CHECKED BY	BLM	DRAWN BY	SCK	APPROVED BY	BLM	SCALE:	NTS	RELEASED FOR CONSTRUCTION		HORIZONTAL				VERTICAL				ENGINEER'S SEAL CONSULTANT PROJECT NUMBER <p style="font-size: 12px; margin: 0;">202316</p>	<p>THE CITY OF WINNIPEG WATER AND WASTE DEPARTMENT ENGINEERING DIVISION</p>	SHEET 10 OF 15 CONSULTANT DRAWING NUMBER <p style="font-size: 14px; margin: 0;">L-10</p> CITY DRAWING NUMBER 1-0194L-A0010-001
	DESIGNED BY		BKB	CHECKED BY	BLM																				
DRAWN BY	SCK	APPROVED BY	BLM																						
SCALE:	NTS	RELEASED FOR CONSTRUCTION																							
HORIZONTAL																									
VERTICAL																									
DRAWING NUMBER _____ REFERENCE DRAWINGS _____	<table border="1" style="width: 100%; border-collapse: collapse;"> <thead> <tr> <th style="width: 5%;">NO.</th> <th style="width: 45%;">REVISIONS</th> <th style="width: 15%;">DATE</th> <th style="width: 35%;">BY</th> </tr> </thead> <tbody> <tr> <td>3</td> <td>ISSUED FOR TENDER</td> <td>09/08/20</td> <td>BLM</td> </tr> <tr> <td>2</td> <td>ISSUED FOR 99% CLIENT REVIEW</td> <td>07/31/20</td> <td>BLM</td> </tr> <tr> <td>1</td> <td>ISSUED FOR 66% CLIENT REVIEW</td> <td>06/15/20</td> <td>BLM</td> </tr> </tbody> </table>	NO.	REVISIONS	DATE	BY	3	ISSUED FOR TENDER	09/08/20	BLM	2	ISSUED FOR 99% CLIENT REVIEW	07/31/20	BLM	1	ISSUED FOR 66% CLIENT REVIEW	06/15/20	BLM	SCALE: HORIZONTAL NTS VERTICAL _____ DATE 2020 09 08 PLOT DATE: 2020 09 08	CONSULTANT PROJECT NUMBER 202316 BID OPPORTUNITY: _____ CONTRACT NUMBER: X	<p style="font-size: 12px; margin: 0;">WESTWOOD WASTEWATER PUMPING STATION UPGRADES</p> <p style="font-size: 10px; margin: 0;">WETWELL LEVEL TRANSMITTER PIT-L111 (TYPICAL)</p>	FILE PATH: C:\pw working directory\projects 2020\40skk\dms28535\ FILE NAME: 202316-SCHEM-02.dwg				
NO.	REVISIONS	DATE	BY																						
3	ISSUED FOR TENDER	09/08/20	BLM																						
2	ISSUED FOR 99% CLIENT REVIEW	07/31/20	BLM																						
1	ISSUED FOR 66% CLIENT REVIEW	06/15/20	BLM																						

INSTRUMENT LOOP DIAGRAM



<p>PRELIMINARY ONLY NOT FOR CONSTRUCTION</p> <p>MAPEGN Certificate of Authorization Dillon Consulting Limited (MB) No. 1789 Date: _____</p>	B.M. ELEV. CONSTRUCTION COMPLETION DATE: YYYY MM DD	<p>DILLON CONSULTING</p>	ENGINEER'S SEAL	<p>THE CITY OF WINNIPEG WATER AND WASTE DEPARTMENT ENGINEERING DIVISION</p>	SHEET 11 OF 15 CONSULTANT DRAWING NUMBER <p style="font-size: 16px; font-weight: bold; text-align: center;">L-11</p> CITY DRAWING NUMBER 1-0194L-A0011-001																																						
	<table border="1" style="width: 100%; border-collapse: collapse;"> <thead> <tr> <th>NO.</th> <th>REVISIONS</th> <th>DATE</th> <th>BY</th> </tr> </thead> <tbody> <tr> <td>3</td> <td>ISSUED FOR TENDER</td> <td>09/08/20</td> <td>BLM</td> </tr> <tr> <td>2</td> <td>ISSUED FOR 99% CLIENT REVIEW</td> <td>07/31/20</td> <td>BLM</td> </tr> <tr> <td>1</td> <td>ISSUED FOR 66% CLIENT REVIEW</td> <td>06/15/20</td> <td>BLM</td> </tr> </tbody> </table>		NO.		REVISIONS	DATE	BY	3	ISSUED FOR TENDER	09/08/20	BLM	2	ISSUED FOR 99% CLIENT REVIEW	07/31/20	BLM	1	ISSUED FOR 66% CLIENT REVIEW	06/15/20	BLM	<table border="1" style="width: 100%; border-collapse: collapse;"> <tr> <td>DESIGNED BY</td> <td>BKB</td> <td>CHECKED BY</td> <td>BLM</td> </tr> <tr> <td>DRAWN BY</td> <td>SCK</td> <td>APPROVED BY</td> <td>BLM</td> </tr> <tr> <td>SCALE:</td> <td>NTS</td> <td>RELEASED FOR CONSTRUCTION</td> <td></td> </tr> <tr> <td>HORIZONTAL</td> <td></td> <td></td> <td></td> </tr> <tr> <td>VERTICAL</td> <td></td> <td></td> <td></td> </tr> <tr> <td>DATE</td> <td>2020 09 08</td> <td>DATE</td> <td></td> </tr> </table>	DESIGNED BY	BKB	CHECKED BY	BLM	DRAWN BY	SCK	APPROVED BY	BLM	SCALE:	NTS	RELEASED FOR CONSTRUCTION		HORIZONTAL				VERTICAL				DATE	2020 09 08	DATE
NO.	REVISIONS	DATE	BY																																								
3	ISSUED FOR TENDER	09/08/20	BLM																																								
2	ISSUED FOR 99% CLIENT REVIEW	07/31/20	BLM																																								
1	ISSUED FOR 66% CLIENT REVIEW	06/15/20	BLM																																								
DESIGNED BY	BKB	CHECKED BY	BLM																																								
DRAWN BY	SCK	APPROVED BY	BLM																																								
SCALE:	NTS	RELEASED FOR CONSTRUCTION																																									
HORIZONTAL																																											
VERTICAL																																											
DATE	2020 09 08	DATE																																									

INSTRUMENT LOOP DIAGRAM



- NOTES:
- 1 THE GAS ENGINE CONTROL PANEL AND INTERNAL CONTACTS ARE EXISTING AND CONNECTED TO EXISTING RTU. TO BE CONNECTED TO NEW PLC.
 - 2 INSTALL NEW RELAY CONTACTS FOR ADDITIONAL RUNNING SIGNAL.

**PRELIMINARY ONLY
NOT FOR CONSTRUCTION**



B.M. ELEV.			
CONSTRUCTION COMPLETION DATE: YYYY MM DD			
NO.	REVISIONS	DATE	BY
3	ISSUED FOR TENDER	09/08/20	BLM
2	ISSUED FOR 99% CLIENT REVIEW	07/31/20	BLM
1	ISSUED FOR 66% CLIENT REVIEW	06/15/20	BLM



DESIGNED BY	BKB	CHECKED BY	BLM
DRAWN BY	SK	APPROVED BY	BLM
SCALE:	NTS	RELEASED FOR CONSTRUCTION	
HORIZONTAL			
VERTICAL			
DATE	2020 09 08	DATE	

ENGINEER'S SEAL

CONSULTANT PROJECT NUMBER
202316



THE CITY OF WINNIPEG
WATER AND WASTE DEPARTMENT
ENGINEERING DIVISION

WESTWOOD WASTEWATER PUMPING STATION UPGRADES

GAS ENGINE CONTROL

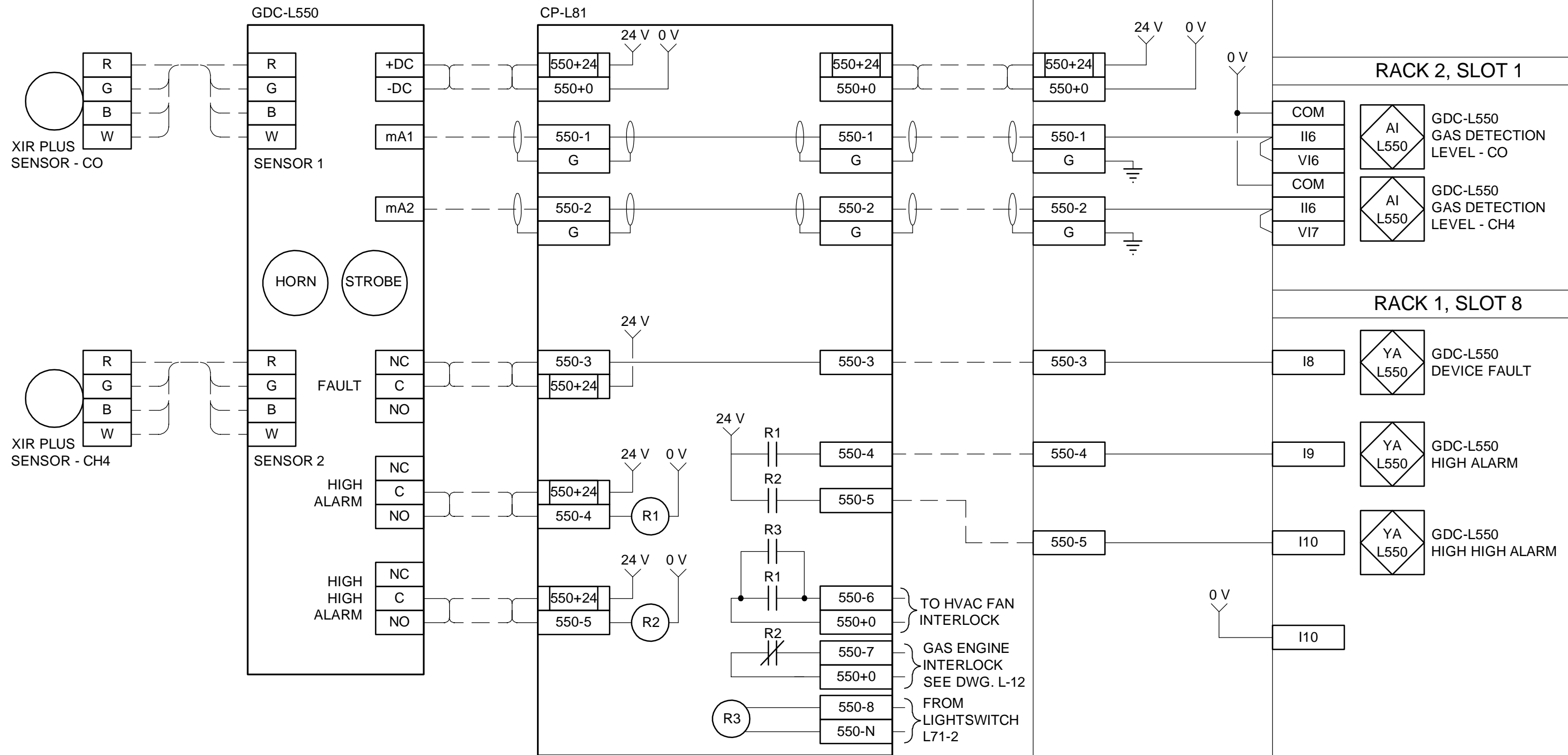
SHEET 12 OF 15
CONSULTANT DRAWING NUMBER
L-12
CITY DRAWING NUMBER
1-0194L-A0012-001

INSTRUMENT LOOP DIAGRAM

FIELD

CP-L80

PLC



**PRELIMINARY ONLY
NOT FOR CONSTRUCTION**



B.M. ELEV.			
CONSTRUCTION COMPLETION DATE: YYYY MM DD			
NO.	REVISIONS	DATE	BY
3	ISSUED FOR TENDER	09/08/20	BLM
2	ISSUED FOR 99% CLIENT REVIEW	07/31/20	BLM
1	ISSUED FOR 66% CLIENT REVIEW	06/15/20	BLM



DESIGNED BY	BKB	CHECKED BY	BLM
DRAWN BY	SK	APPROVED BY	BLM
SCALE:	NTS	RELEASED FOR CONSTRUCTION	
HORIZONTAL			
VERTICAL			
DATE	2020 09 08	DATE	

ENGINEER'S SEAL

CONSULTANT PROJECT NUMBER
202316



THE CITY OF WINNIPEG
WATER AND WASTE DEPARTMENT
ENGINEERING DIVISION

WESTWOOD WASTEWATER PUMPING STATION UPGRADES

GAS DETECTOR GDC-L550

SHEET 13 OF 15
CONSULTANT DRAWING NUMBER L-13
CITY DRAWING NUMBER 1-0194L-A0013-001

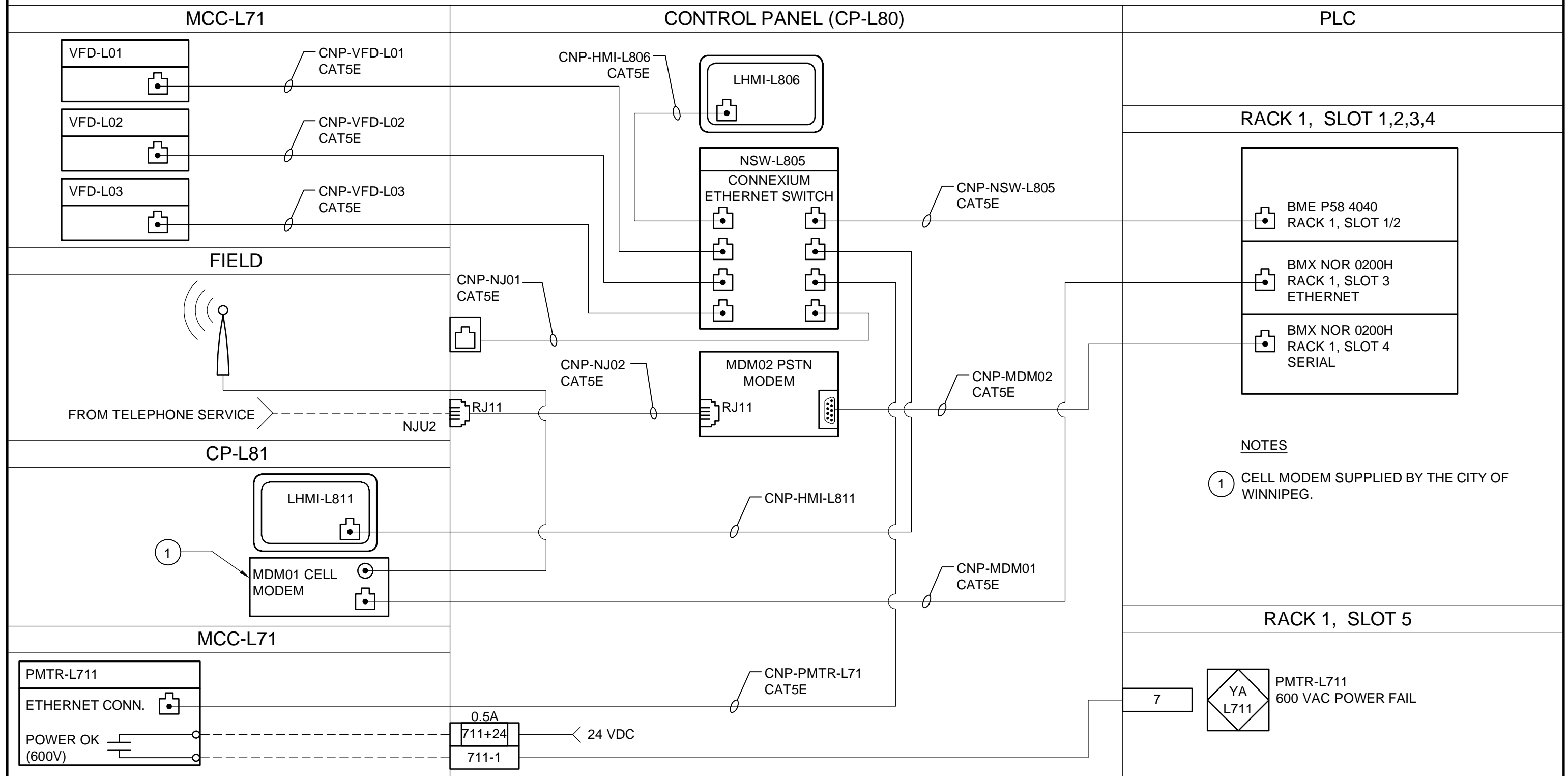
DRAWING NUMBER REFERENCE DRAWINGS

PLOT DATE: 2020 09 08

BID OPPORTUNITY:
CONTRACT NUMBER: X

FILE PATH: C:\pw working directory\projects 2020\40sk\dms28535\202316-SCHEM-02.dwg

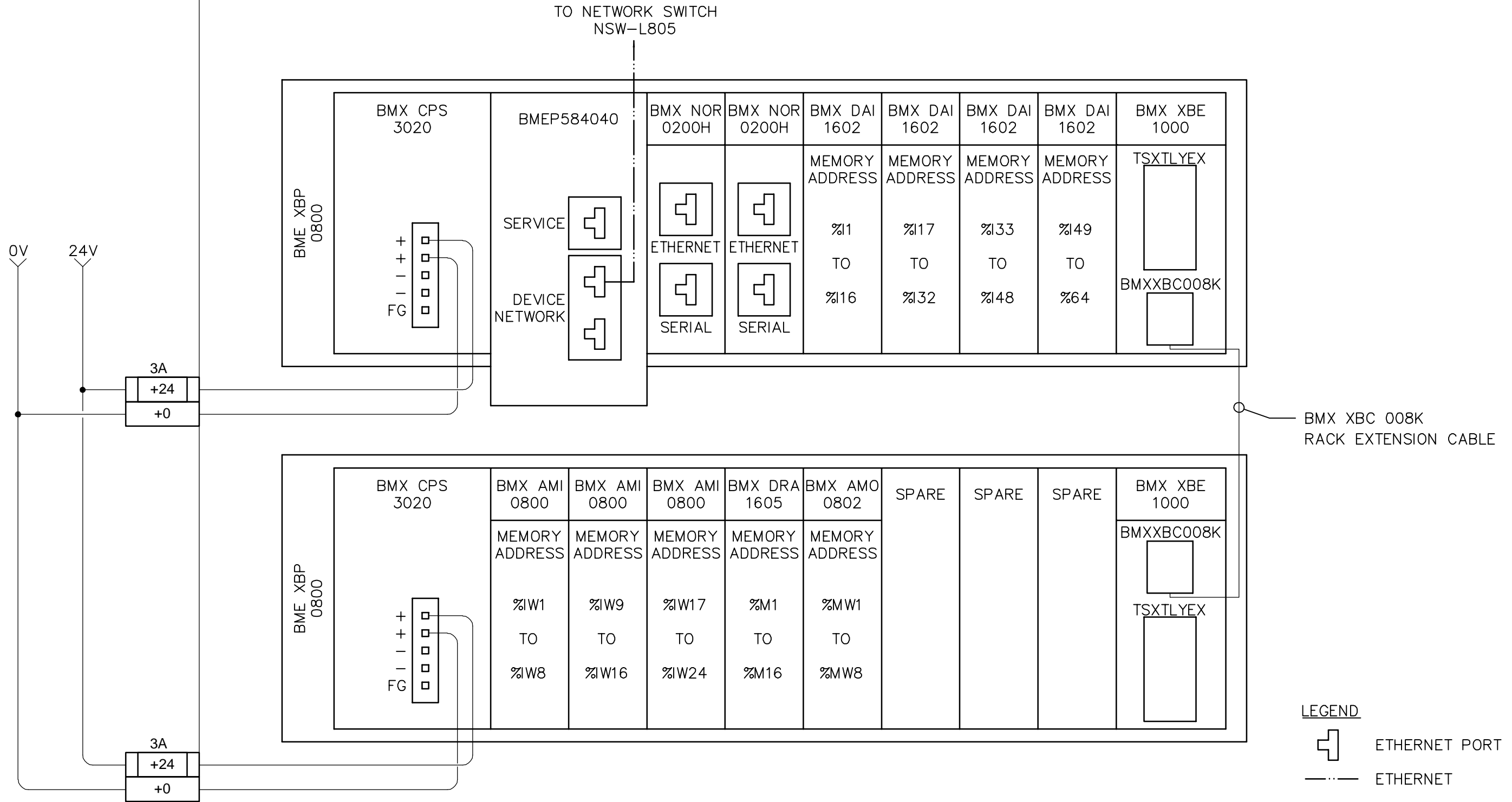
INSTRUMENT LOOP DIAGRAM



<p>PRELIMINARY ONLY NOT FOR CONSTRUCTION</p> <p>APEGM Certificate of Authorization Dillon Consulting Limited (MB) No. 1789 Date: _____</p>	B.M. ELEV. _____ CONSTRUCTION COMPLETION DATE: YYYY MM DD _____	<p>DILLON CONSULTING</p> <table border="0" style="width: 100%; font-size: 8px;"> <tr> <td>DESIGNED BY</td> <td>BKB</td> <td>CHECKED BY</td> <td>BLM</td> </tr> <tr> <td>DRAWN BY</td> <td>SCK</td> <td>APPROVED BY</td> <td>BLM</td> </tr> <tr> <td>SCALE:</td> <td>NTS</td> <td>RELEASED FOR CONSTRUCTION</td> <td></td> </tr> <tr> <td>HORIZONTAL</td> <td></td> <td></td> <td></td> </tr> <tr> <td>VERTICAL</td> <td></td> <td></td> <td></td> </tr> </table> <p>DATE 2020 09 08</p>	DESIGNED BY	BKB	CHECKED BY	BLM	DRAWN BY	SCK	APPROVED BY	BLM	SCALE:	NTS	RELEASED FOR CONSTRUCTION		HORIZONTAL				VERTICAL				ENGINEER'S SEAL CONSULTANT PROJECT NUMBER <p style="font-size: 12px; font-weight: bold;">202316</p>	<p>THE CITY OF WINNIPEG WATER AND WASTE DEPARTMENT ENGINEERING DIVISION</p> <p style="font-size: 12px; font-weight: bold;">WESTWOOD WASTEWATER PUMPING STATION UPGRADES</p> <p style="font-size: 12px; font-weight: bold;">NETWORK DIAGRAM</p>	SHEET 14 OF 15 CONSULTANT DRAWING NUMBER <p style="font-size: 18px; font-weight: bold;">L-14</p> CITY DRAWING NUMBER 1-0194L-A0014-001
	DESIGNED BY		BKB	CHECKED BY	BLM																				
DRAWN BY	SCK	APPROVED BY	BLM																						
SCALE:	NTS	RELEASED FOR CONSTRUCTION																							
HORIZONTAL																									
VERTICAL																									
DRAWING NUMBER _____ REFERENCE DRAWINGS _____	<table border="1" style="width: 100%; border-collapse: collapse;"> <thead> <tr> <th>NO.</th> <th>REVISIONS</th> <th>DATE</th> <th>BY</th> </tr> </thead> <tbody> <tr> <td>3</td> <td>ISSUED FOR TENDER</td> <td>09/08/20</td> <td>BLM</td> </tr> <tr> <td>2</td> <td>ISSUED FOR 99% CLIENT REVIEW</td> <td>07/31/20</td> <td>BLM</td> </tr> <tr> <td>1</td> <td>ISSUED FOR 66% CLIENT REVIEW</td> <td>06/15/20</td> <td>BLM</td> </tr> </tbody> </table>	NO.	REVISIONS	DATE	BY	3	ISSUED FOR TENDER	09/08/20	BLM	2	ISSUED FOR 99% CLIENT REVIEW	07/31/20	BLM	1	ISSUED FOR 66% CLIENT REVIEW	06/15/20	BLM	PLOT DATE: 2020 09 08 BID OPPORTUNITY: _____ CONTRACT NUMBER: X _____	FILE PATH: C:\pw working directory\projects 2020\40skk\dms28535\ FILE NAME: 202316-SCHEM-02.dwg						
NO.	REVISIONS	DATE	BY																						
3	ISSUED FOR TENDER	09/08/20	BLM																						
2	ISSUED FOR 99% CLIENT REVIEW	07/31/20	BLM																						
1	ISSUED FOR 66% CLIENT REVIEW	06/15/20	BLM																						

CONTROL PANEL (CP-L80)

PLC



**PRELIMINARY ONLY
NOT FOR CONSTRUCTION**



B.M. ELEV.			
CONSTRUCTION COMPLETION DATE: YYYY MM DD			
NO.	REVISIONS	DATE	BY
3	ISSUED FOR TENDER	09/08/20	BLM
2	ISSUED FOR 99% CLIENT REVIEW	07/31/20	BLM
1	ISSUED FOR 66% CLIENT REVIEW	06/15/20	BLM



DESIGNED BY	BKB	CHECKED BY	BLM
DRAWN BY	SCK	APPROVED BY	BLM
SCALE:	NTS	RELEASED FOR CONSTRUCTION	
HORIZONTAL			
VERTICAL			
DATE	2020 09 08	DATE	

ENGINEER'S SEAL

CONSULTANT PROJECT NUMBER
202316



THE CITY OF WINNIPEG
WATER AND WASTE DEPARTMENT
ENGINEERING DIVISION

WESTWOOD WASTEWATER PUMPING STATION UPGRADES

PLC - RACK LAYOUT

SHEET 15 OF 15
CONSULTANT DRAWING NUMBER
L-15
CITY DRAWING NUMBER
1-0194L-A0015-001

DRAWING NUMBER REFERENCE DRAWINGS

PLOT DATE: 2020 09 08

BID OPPORTUNITY:
CONTRACT NUMBER: X

FILE PATH: C:\pw working directory\projects 2020\40skk\dms28535\202316-SCHEM-02.dwg
FILE NAME: 202316-SCHEM-02.dwg