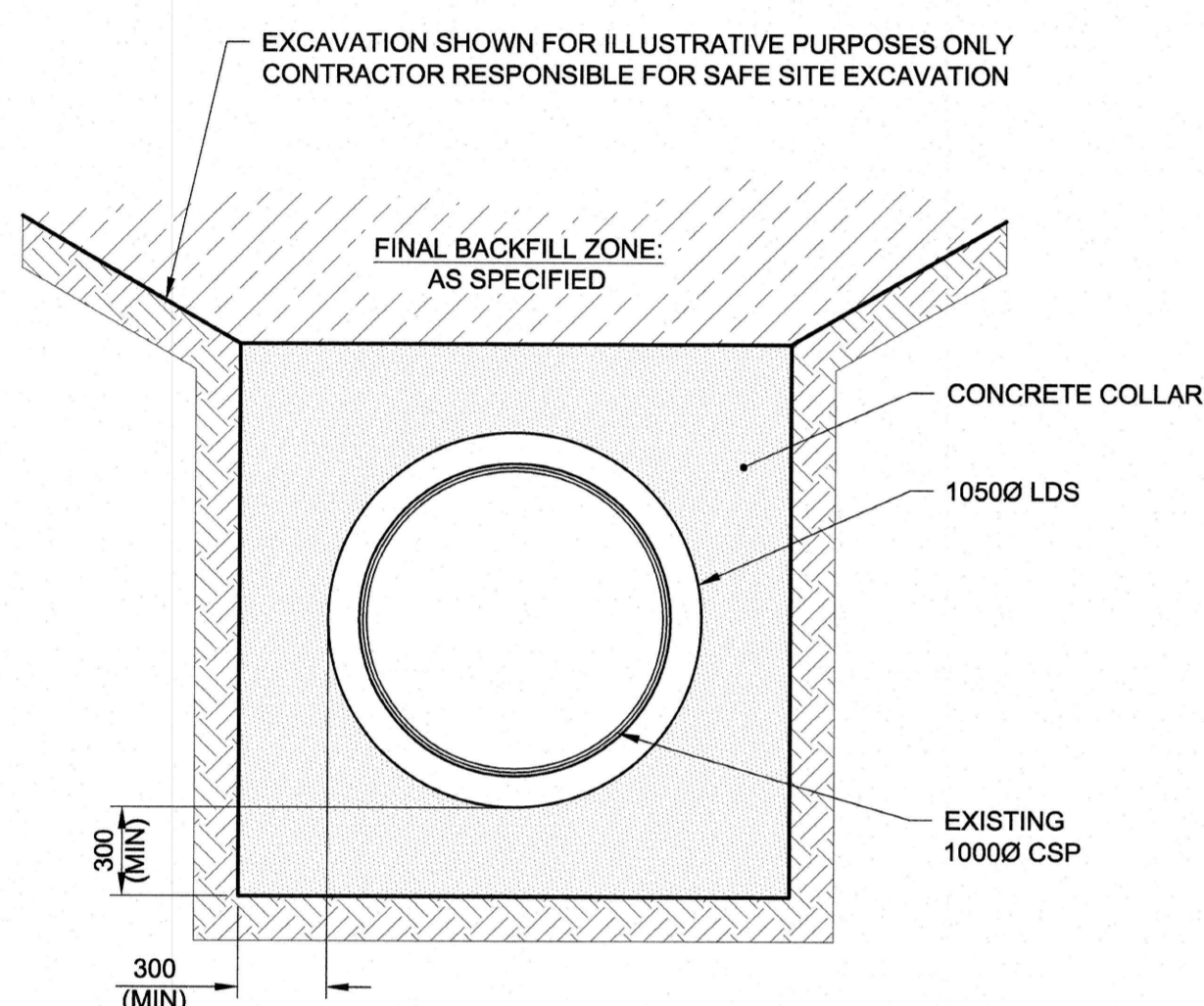
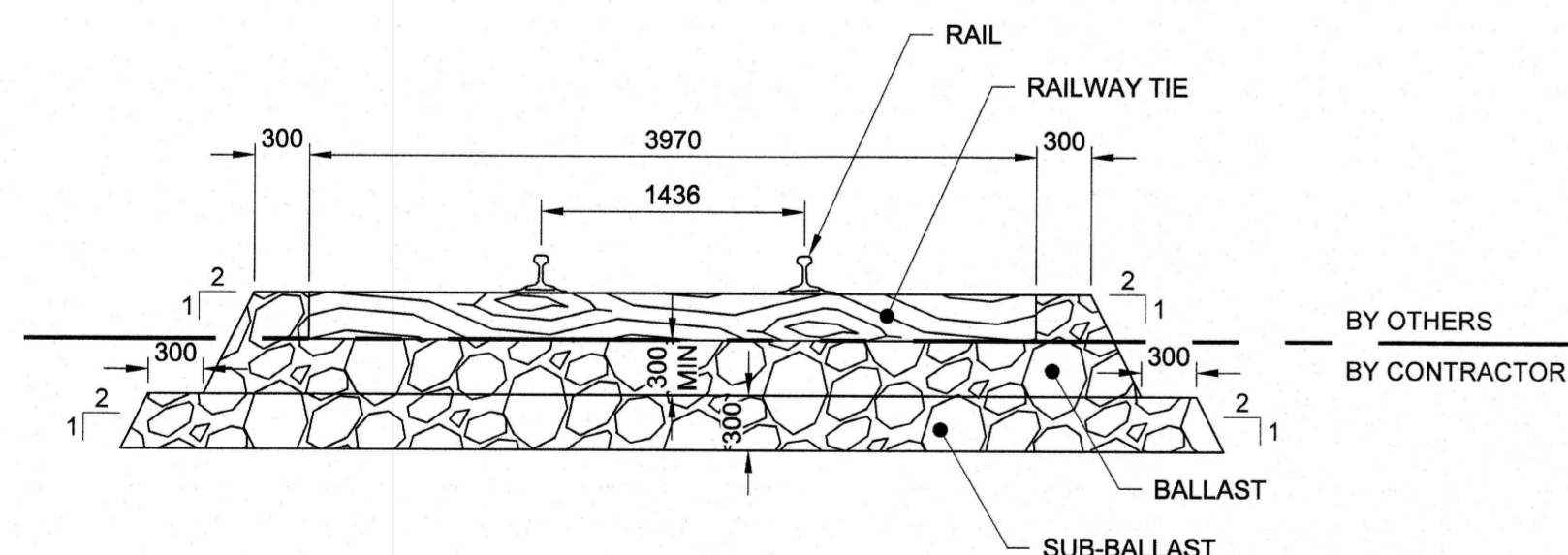
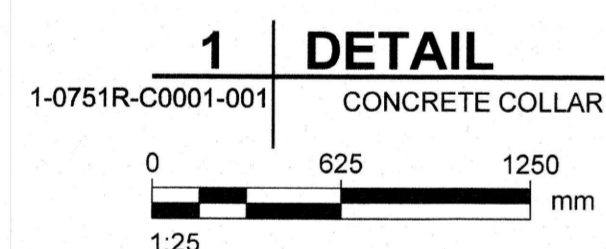


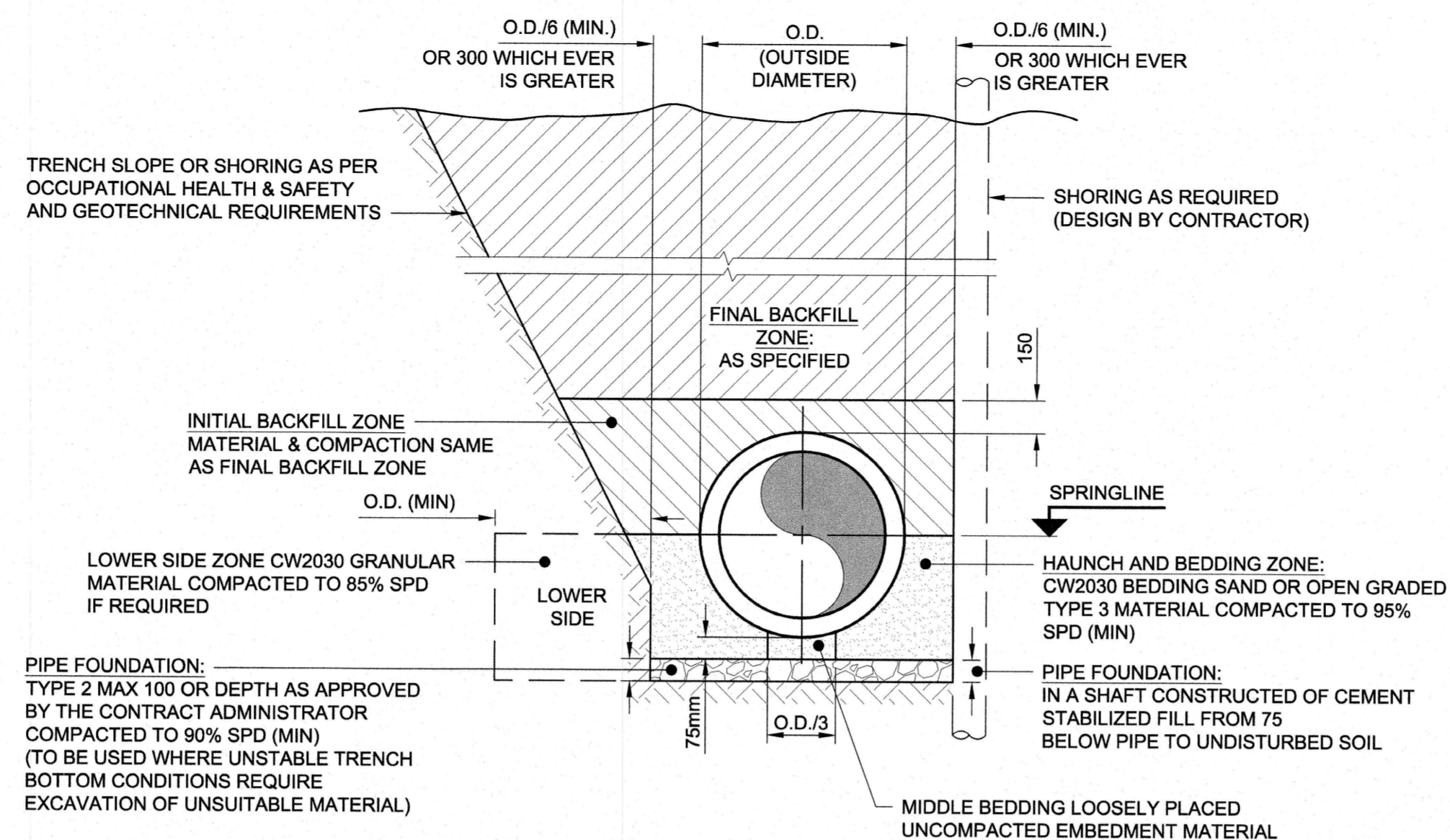
PLAN



SECTION



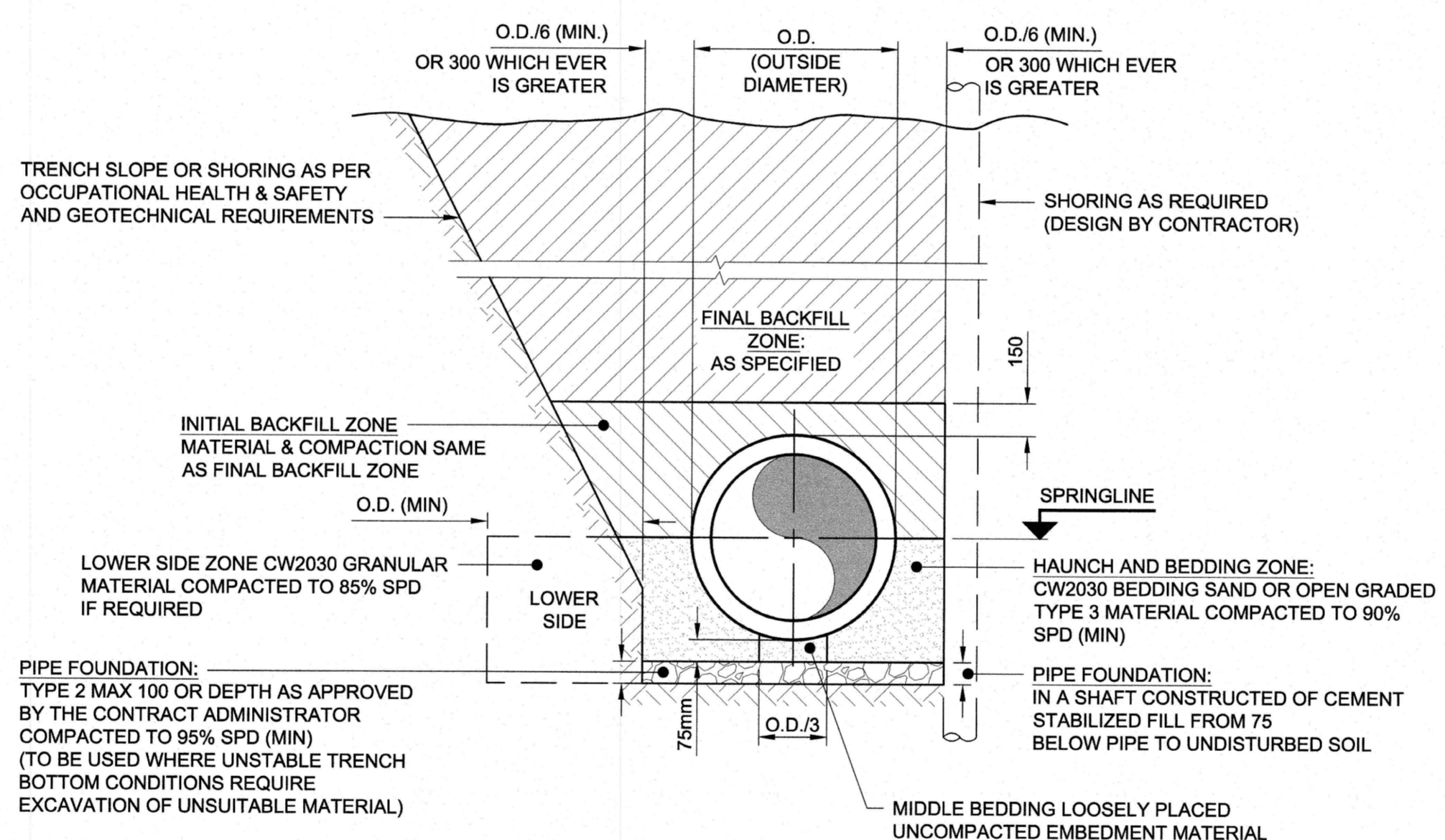
4 RAIL SECTION DETAIL
SCALE: 1:40



NOTES:
1. ANY OPEN GRADED GRANULAR MATERIALS TO BE WRAPPED WITH A NON-WOVEN GEOTEXTILE, SEAMS TO BE OVERLAPPED 300 (MIN).

2 DETAIL - RIGID PIPE INSTALLATION

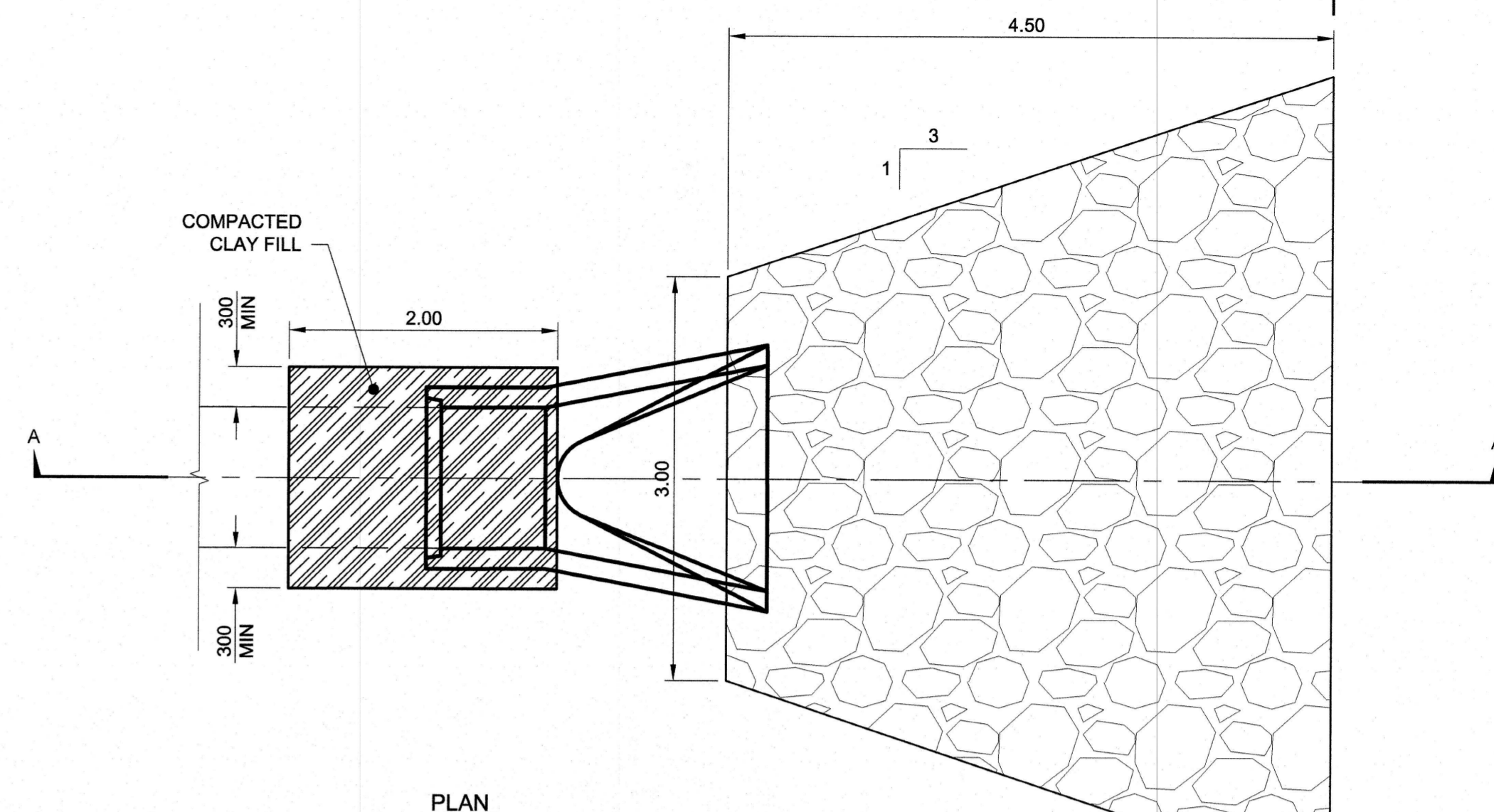
1-0751R-C0001-001 N.T.S. TYPE 1 SIDD (REINFORCED CONCRETE PIPE)



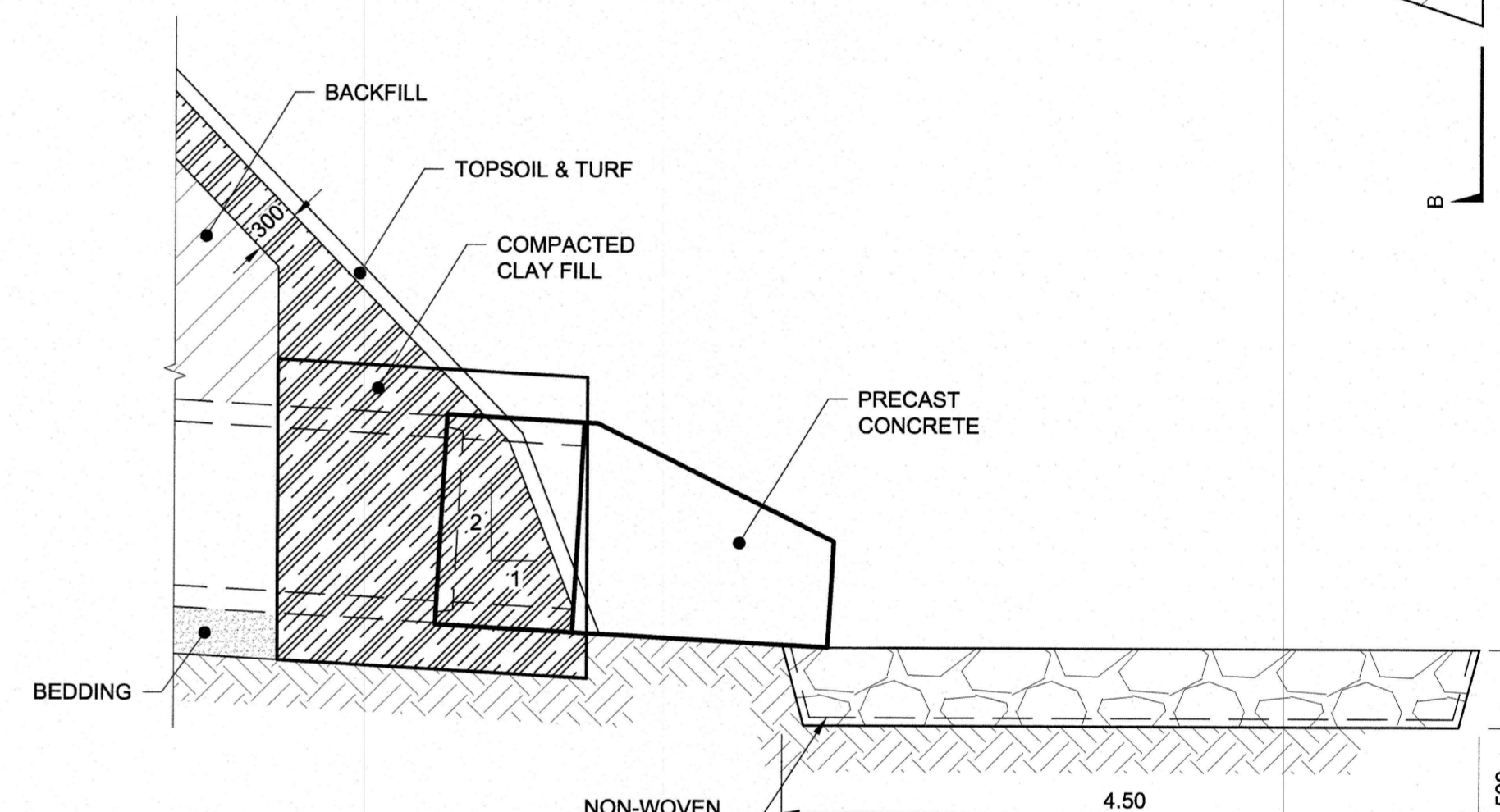
NOTES:
1. ANY OPEN GRADED GRANULAR MATERIALS TO BE WRAPPED WITH A NON-WOVEN GEOTEXTILE, SEAMS TO BE OVERLAPPED 300 (MIN).

3 DETAIL - RIGID PIPE INSTALLATION

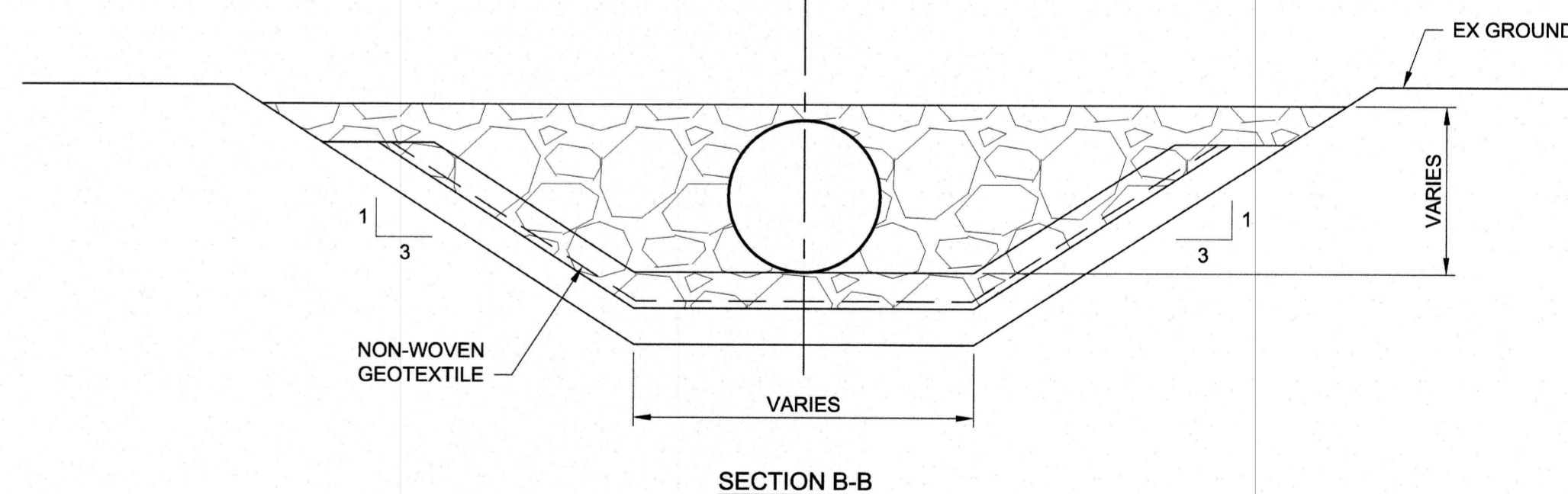
1-0751R-C0001-001 N.T.S. TYPE 2 SIDD (REINFORCED CONCRETE PIPE)



PLAN



SECTION A-A



SECTION B-B

5 TYPICAL CULVERT & RIP RAP DETAILS

1-0751R-C0001-001 SCALE: 1:40



TENDER No. 577-2020

<p>WARNING</p> <p>IF POWER EQUIPMENT OR EXPLOSIVES ARE TO BE USED FOR EXCAVATION ON THIS PROJECT THE CONTRACTOR MUST:</p> <p>1) NOTIFY THE GAS COMPANY OF THE PROPOSED LOCATION OF EXCAVATION.</p> <p>2) TAKE PRECAUTION TO AVOID DAMAGE TO GAS COMPANY INSTALLATIONS.</p> <p>SEE PROVINCIAL REGULATION 210/72 FOR DETAILS</p>	<p>LOCATION APPROVED UNDERGROUND STRUCTURES</p> <p>SUPV. U/G STRUCTURES COMMITTEE DATE</p> <p>NOTE: LOCATION OF UNDERGROUND STRUCTURES AS SHOWN ARE BASED ON THE BEST INFORMATION AVAILABLE BUT NO GUARANTEE IS GIVEN THAT ALL EXISTING UTILITIES ARE SHOWN OR THAT THE GIVEN LOCATIONS ARE EXACT. CONFIRMATION OF EXISTENCE AND EXACT LOCATION OF ALL SERVICES MUST BE OBTAINED FROM THE INDIVIDUAL UTILITIES BEFORE PROCEEDING WITH CONSTRUCTION.</p>	<p>B.M. ELEV.</p> <p>CONSTRUCTION COMPLETION DATE: YYYY MM DD</p>	<p>DESIGNED BY MRP</p> <p>CHECKED BY MGM</p> <p>DRAWN BY ADL/KLC</p> <p>APPROVED BY CCM</p> <p>SCALE: HORIZONTAL AS NOTED VERTICAL AS NOTED</p> <p>DATE 2020 08 28</p> <p>RELEASED FOR CONSTRUCTION 2020-08-28</p>	<p>ENGINEER'S SEAL</p> <p>CONSULTANT DRAWING NUMBER 60532607-SHT-30-Task11-C-4001</p>	<p>THE CITY OF WINNIPEG</p> <p>WATER AND WASTE DEPARTMENT</p> <p>ENGINEERING DIVISION</p> <p>SHOAL LAKE AQUEDUCT</p> <p>MILE 77.6 GWW RAILWAY YARD</p> <p>LAND DRAINAGE IMPROVEMENTS</p> <p>CIVIL</p> <p>MISCELLANEOUS DETAILS</p>	<p>SHEET 3 OF 4</p> <p>CITY DRAWING NUMBER 1-0751R-C0002-001</p>

METRIC
WHOLE NUMBERS INDICATE MILLIMETRES
DECIMALIZED NUMBERS INDICATE METRES