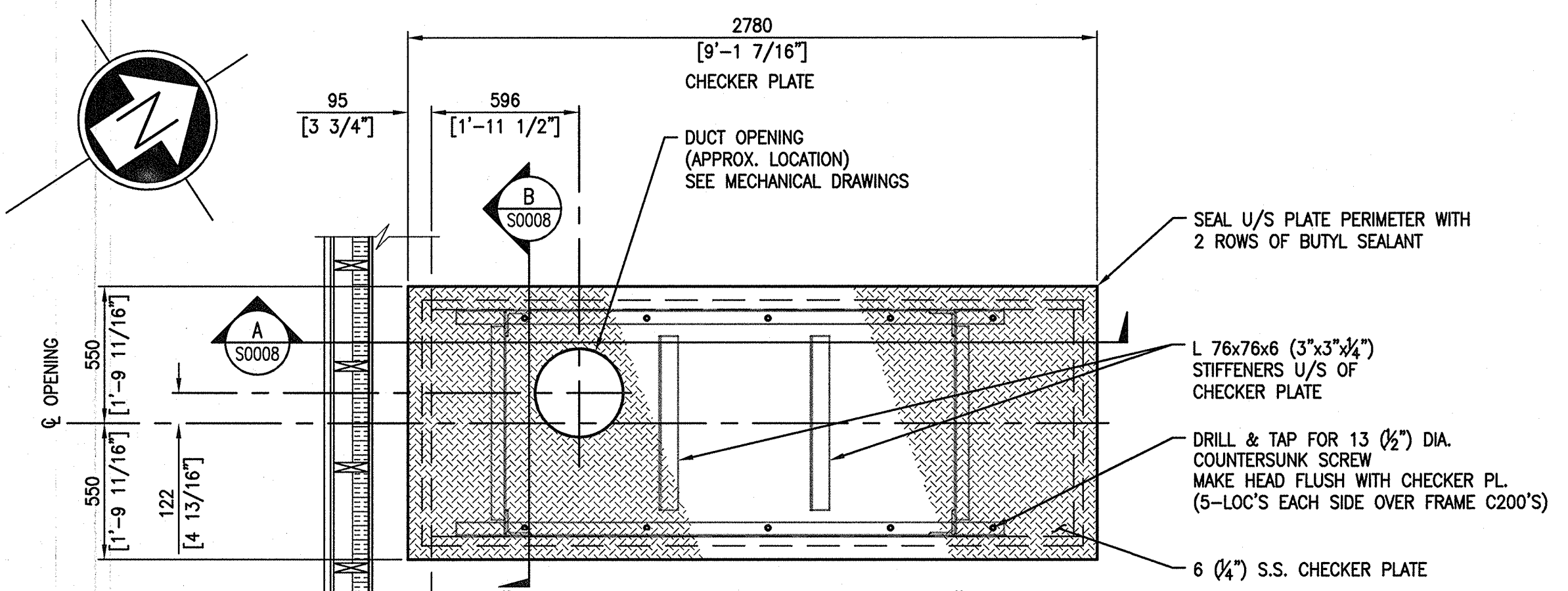
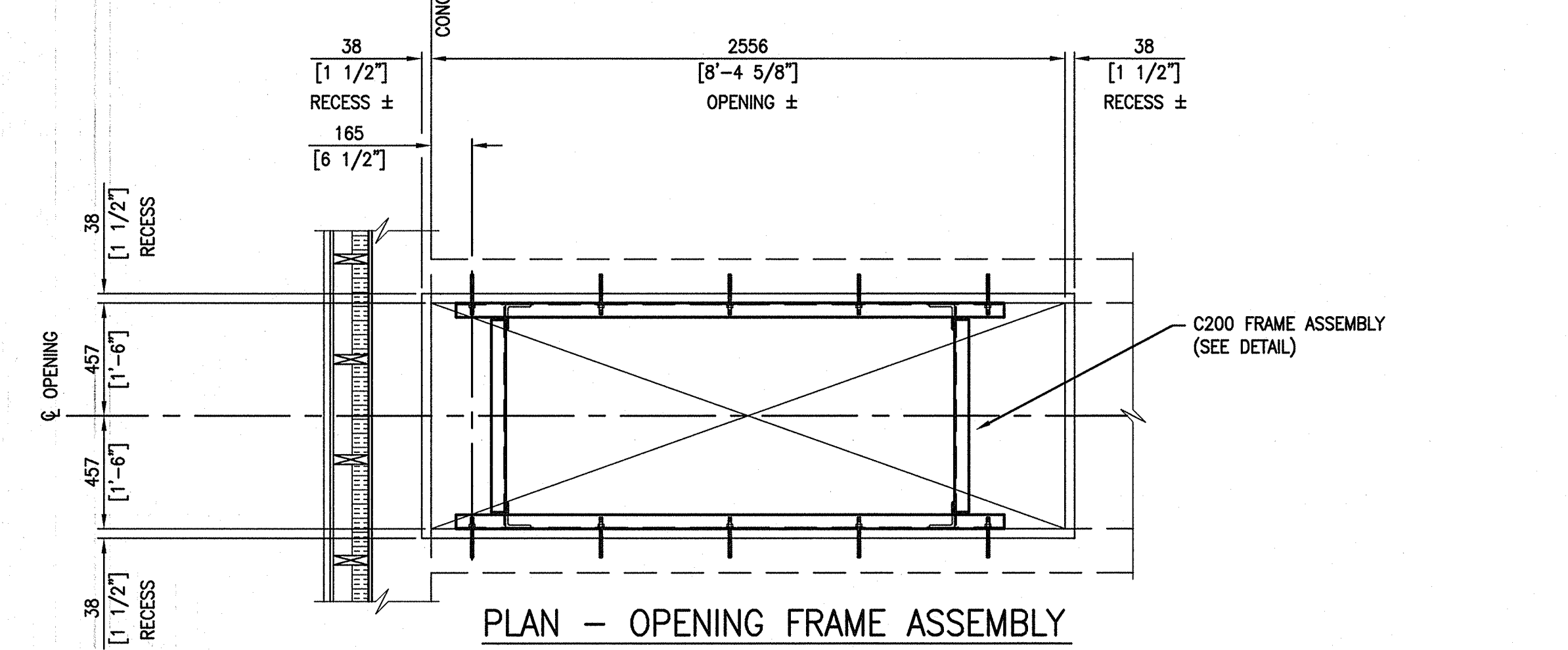


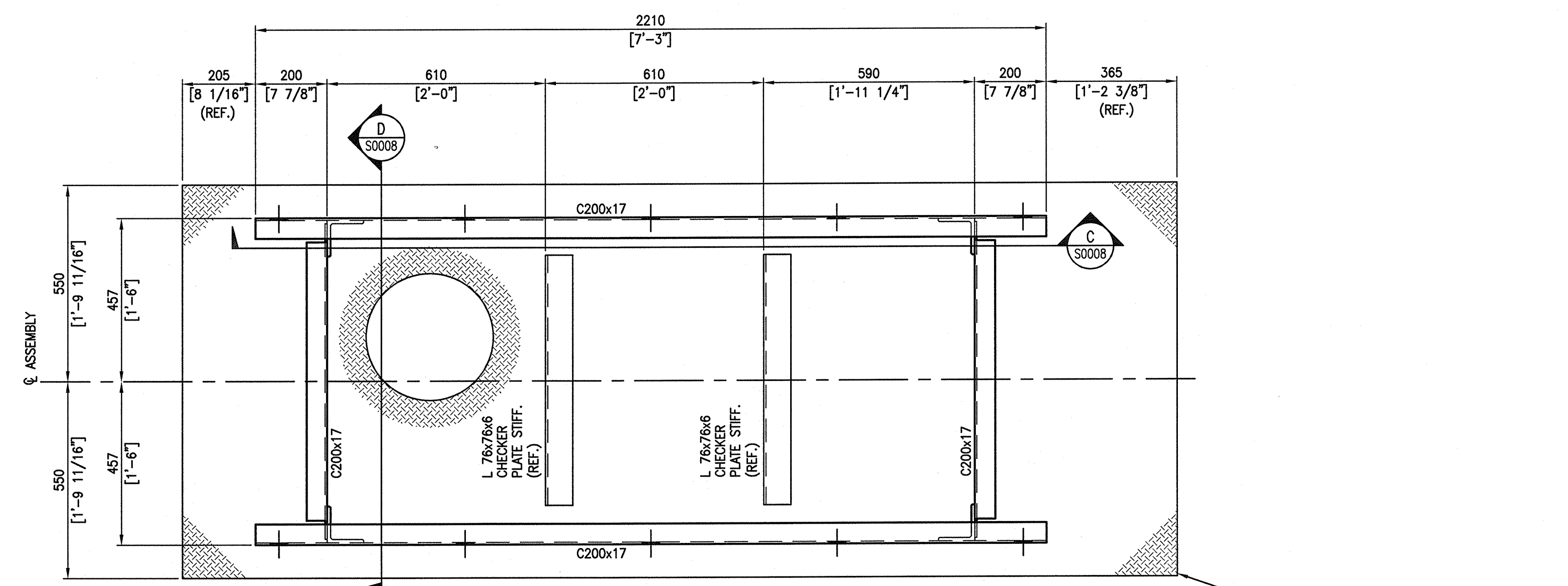
NOTES:
 1. SEE DRAWING 1-0173F-S0001 FOR GENERAL NOTES.
 2. SEE DRAWING 1-0173F-S0002 FOR STRUCTURAL NOTES.



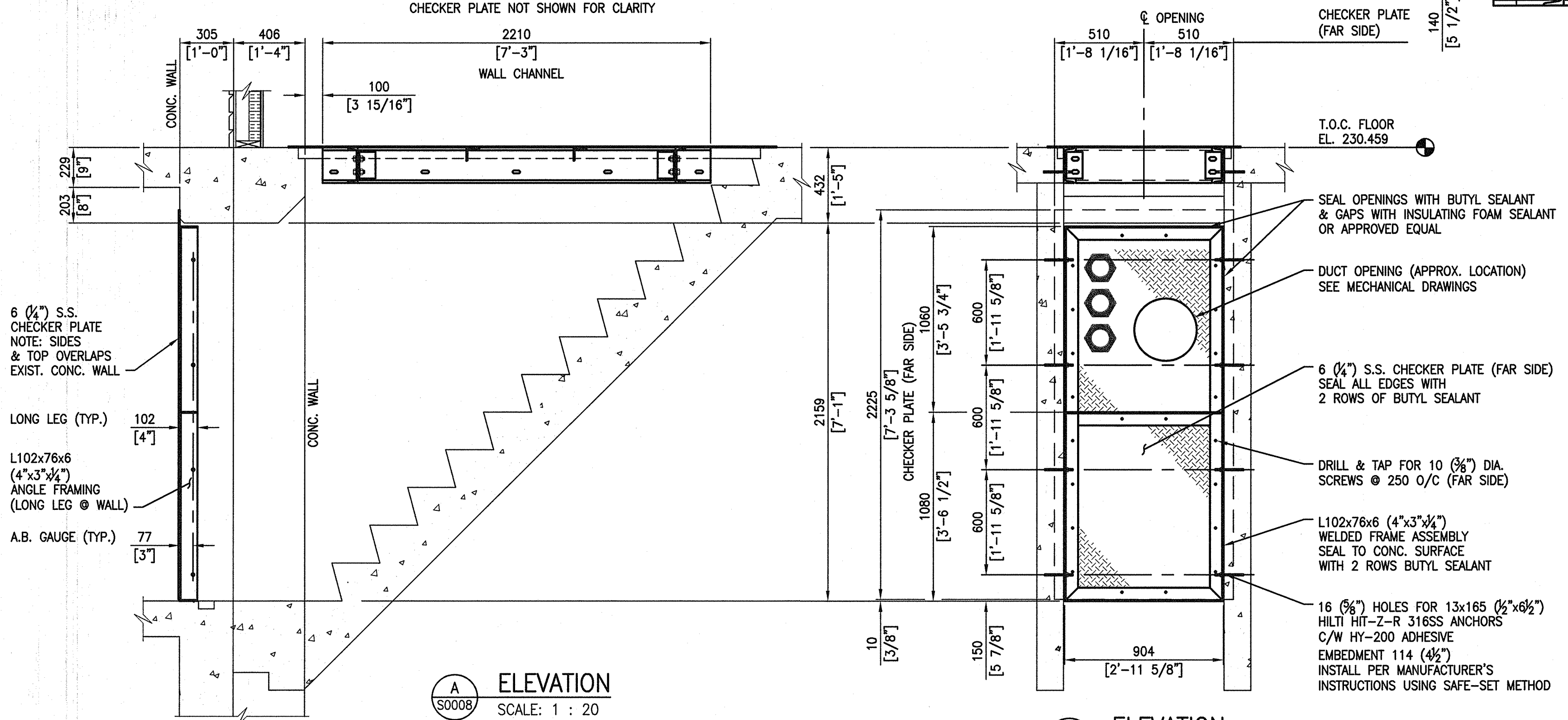
PLAN - OPENING PLATE COVER ASSEMBLY
 SCALE: 1 : 20



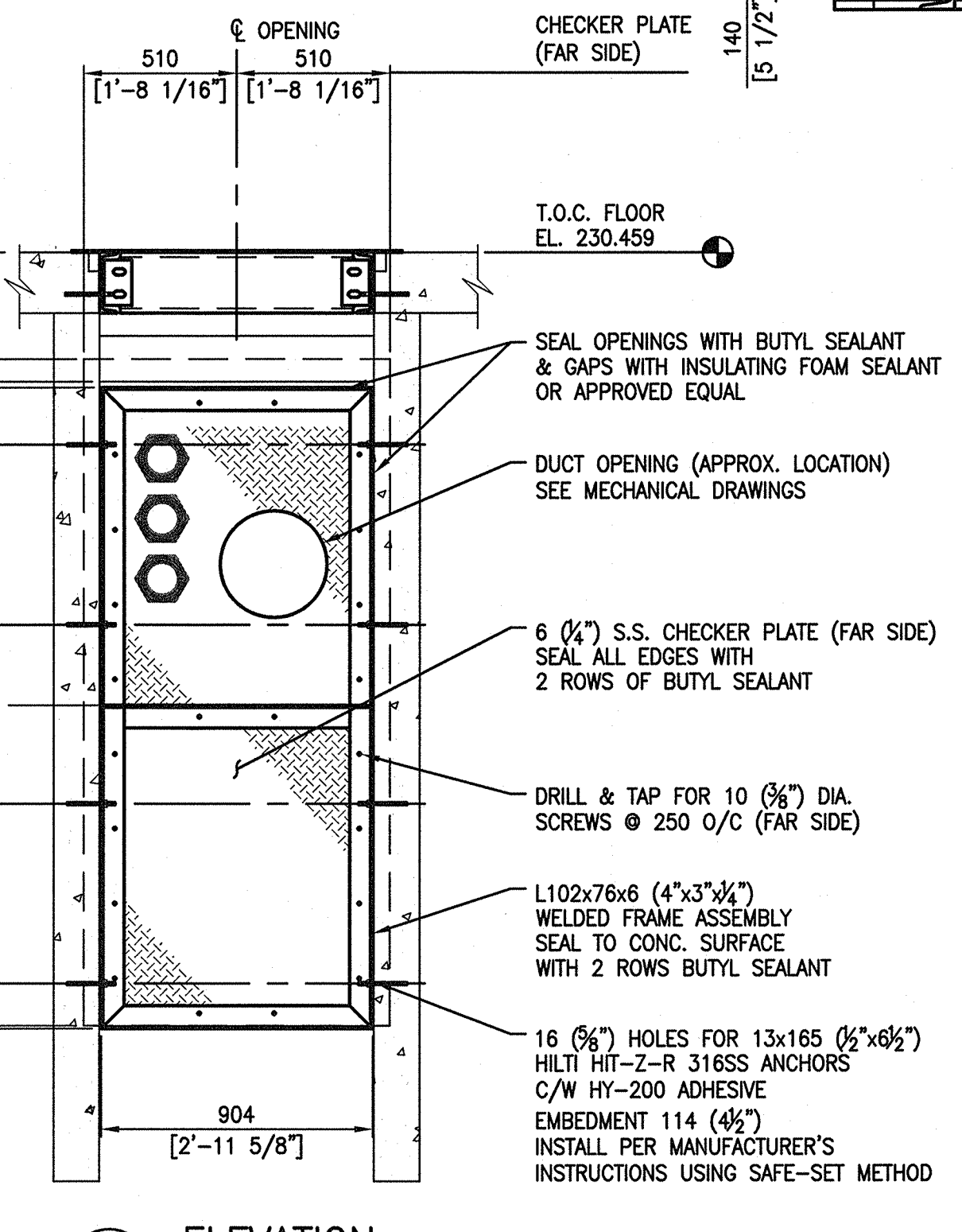
PLAN - OPENING FRAME ASSEMBLY
 SCALE: 1 : 20



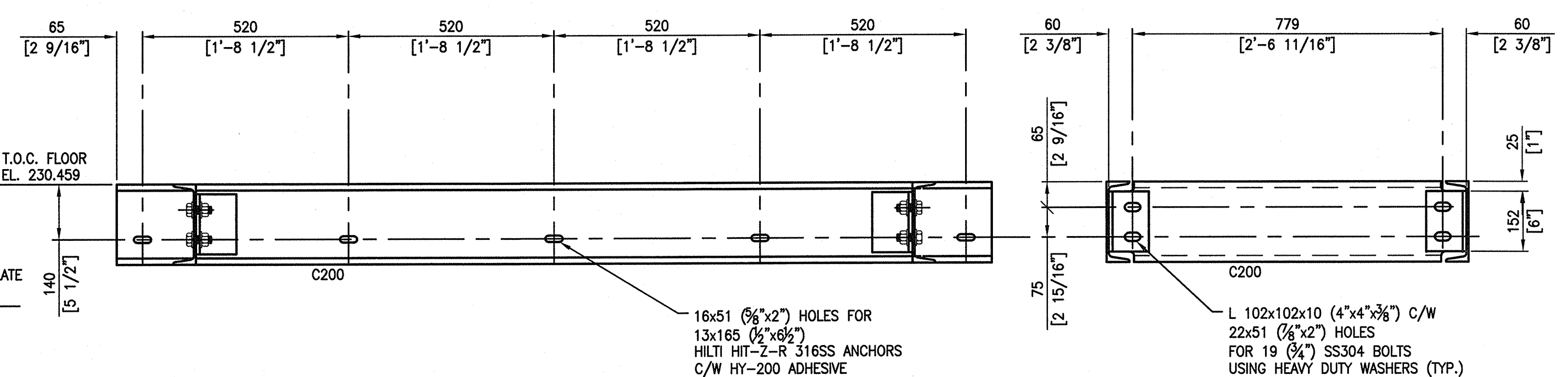
PLAN
 SCALE: 1 : 10



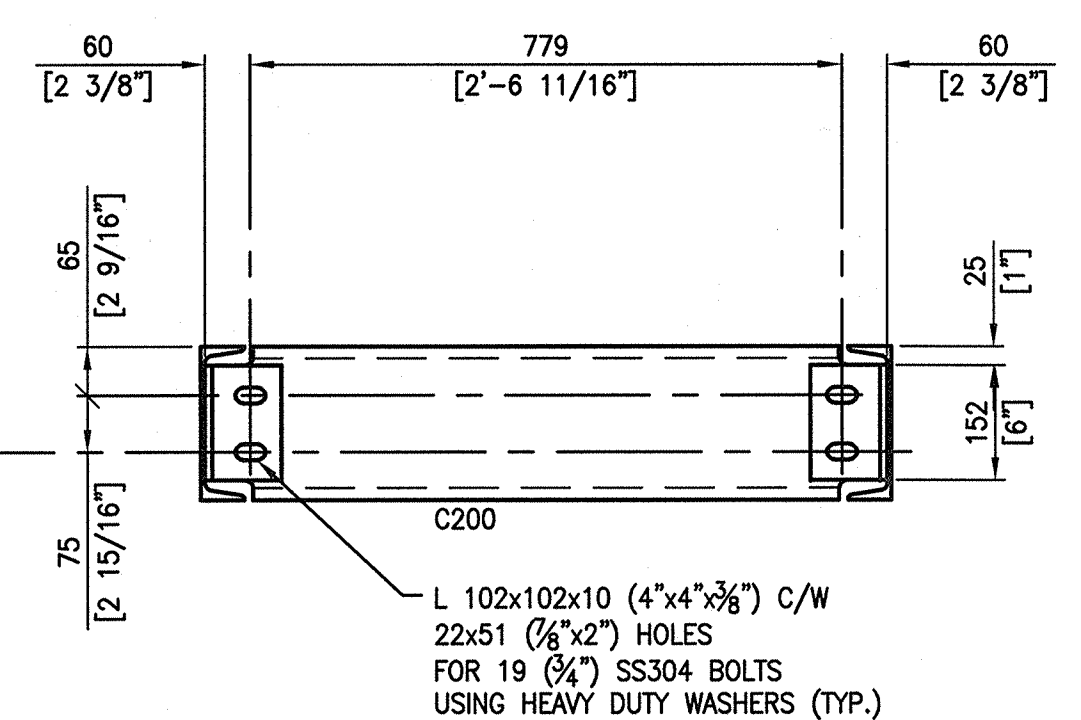
A ELEVATION
 SCALE: 1 : 20



B ELEVATION
 SCALE: 1 : 20

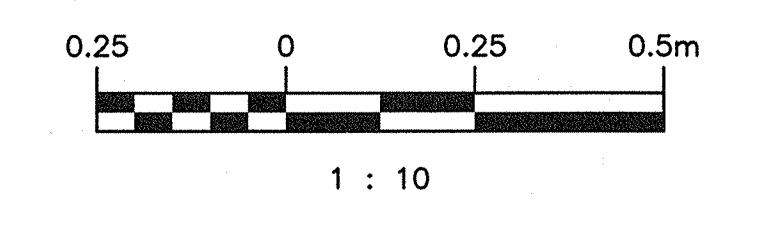


C ELEVATION
 SCALE: 1 : 10



D ELEVATION
 SCALE: 1 : 10

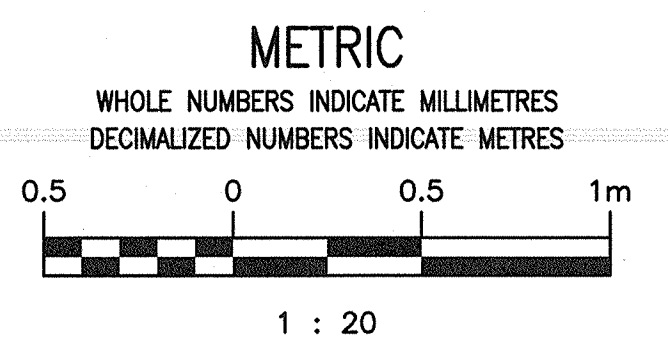
DETAIL - OPENING FRAME ASSEMBLY
 SCALE: 1 : 10



ALL STRUCTURAL 304 S.S. SHAPES AND PLATES CONFORM TO AISA 430 AND ASTM A276.

NOTE: TAKE CARE TO NOT DAMAGE EXIST. CONCRETE REINFORCING WHEN INSTALLING GUARDRAIL SUPPORTS. REFER TO NOTES ON DRAWING 1-0173F-S0002 FOR INSTALLATION PROCEDURE.

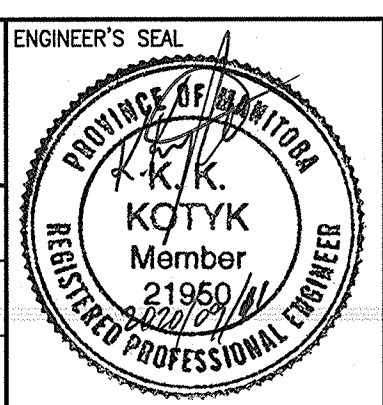
9 STAIR COVER DETAIL
 SCALE: 1 : 20
 SOURCE DRAWING 1-0173F-S0002



DRAWING NUMBER	REFERENCE DRAWINGS
LD-2960	POLSON FLOOD PUMPING STATION - CONCRETE SLAB REPAIR
LD-2644	POLSON FLOOD PUMPING STATION - ACCESS HATCH
LD-2643	POLSON FLOOD PUMPING STATION - FLAPGATE INSTALLATION
5-SD-4	POLSON AVENUE PUMPING STATION - SHEET 2
5-SD-4	POLSON AVENUE PUMPING STATION - SHEET 1
512	POLSON COMMUNOTOR STATION - REINFORCING STEEL DETAILS
511	POLSON COMMUNOTOR STATION - CONSTRUCTION DETAILS

NO.	REVISIONS	DATE	DESIGN	CHECK
01	ISSUED FOR CONSTRUCTION	2020/09/11	K.K.	B.C.
00	ISSUED FOR TENDER, BID 067-2020	2020/08/19	K.K.	B.C.

		SNC-LAVALIN INC. 148 Nature Park Way Winnipeg, MB, Canada R3P 0X7 204-786-8080	
DESIGNED BY:	K. KOTYK	CHECKED BY:	B. CLEVEN
DRAWN BY:	B. DICKSON	APPROVED BY:	B. CLEVEN
SCALE:	AS SHOWN	ISSUED FOR CONSTRUCTION BY:	K. ZUREK
DATE:	2020/05/25	DATE:	2020/09/02
CONSULTANT NO.:			



THE CITY OF WINNIPEG WATER AND WASTE DEPARTMENT			
POLSON FLOOD PUMPING STATION 2020 UPGRADES STRUCTURAL MODIFICATIONS - PUMPING STATION STAIR COVER DETAILS			
CITY DRAWING NUMBER	SHEET	REV.	SIZE
1-0173F-S0008	001	01	A1