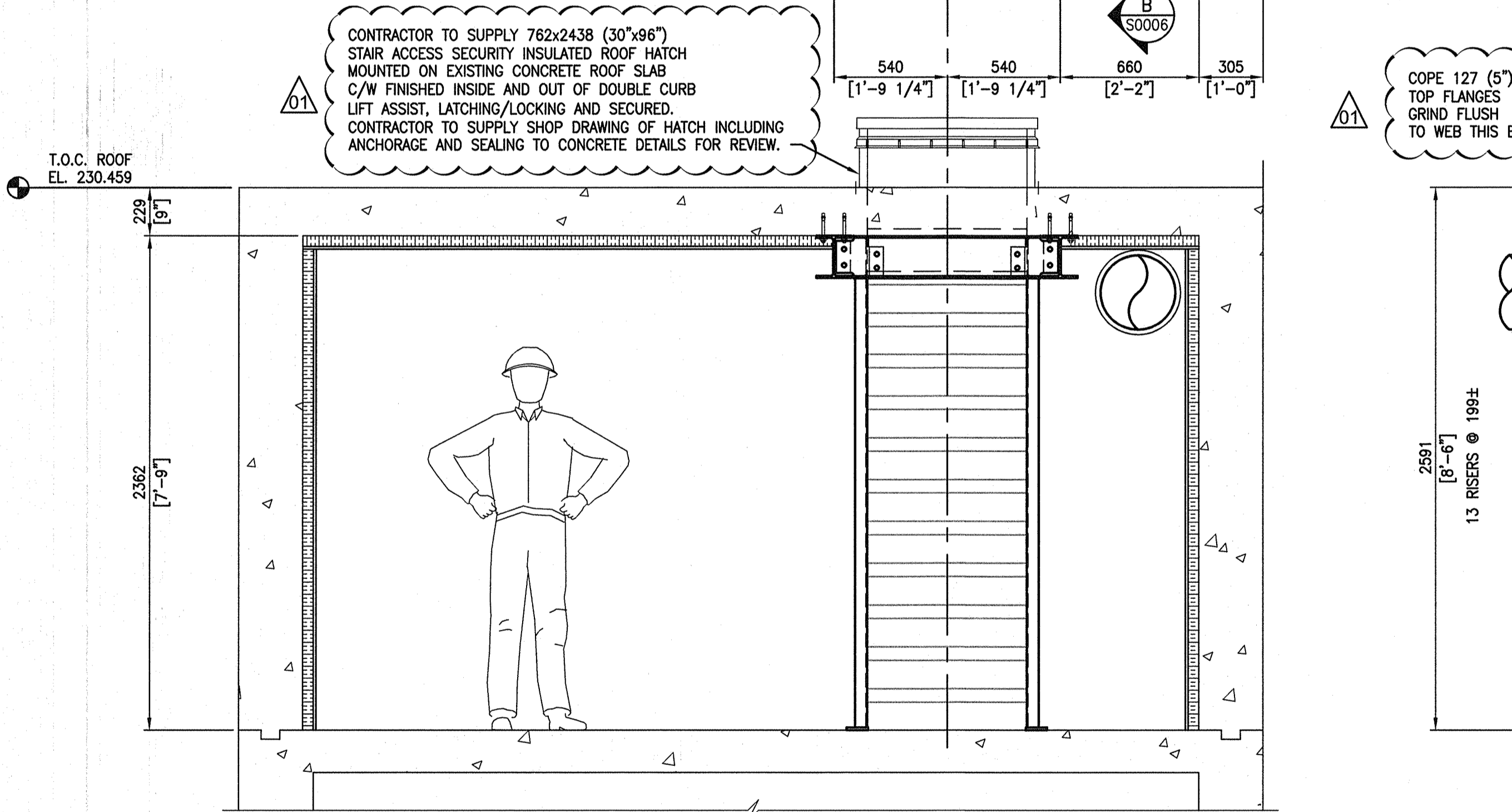


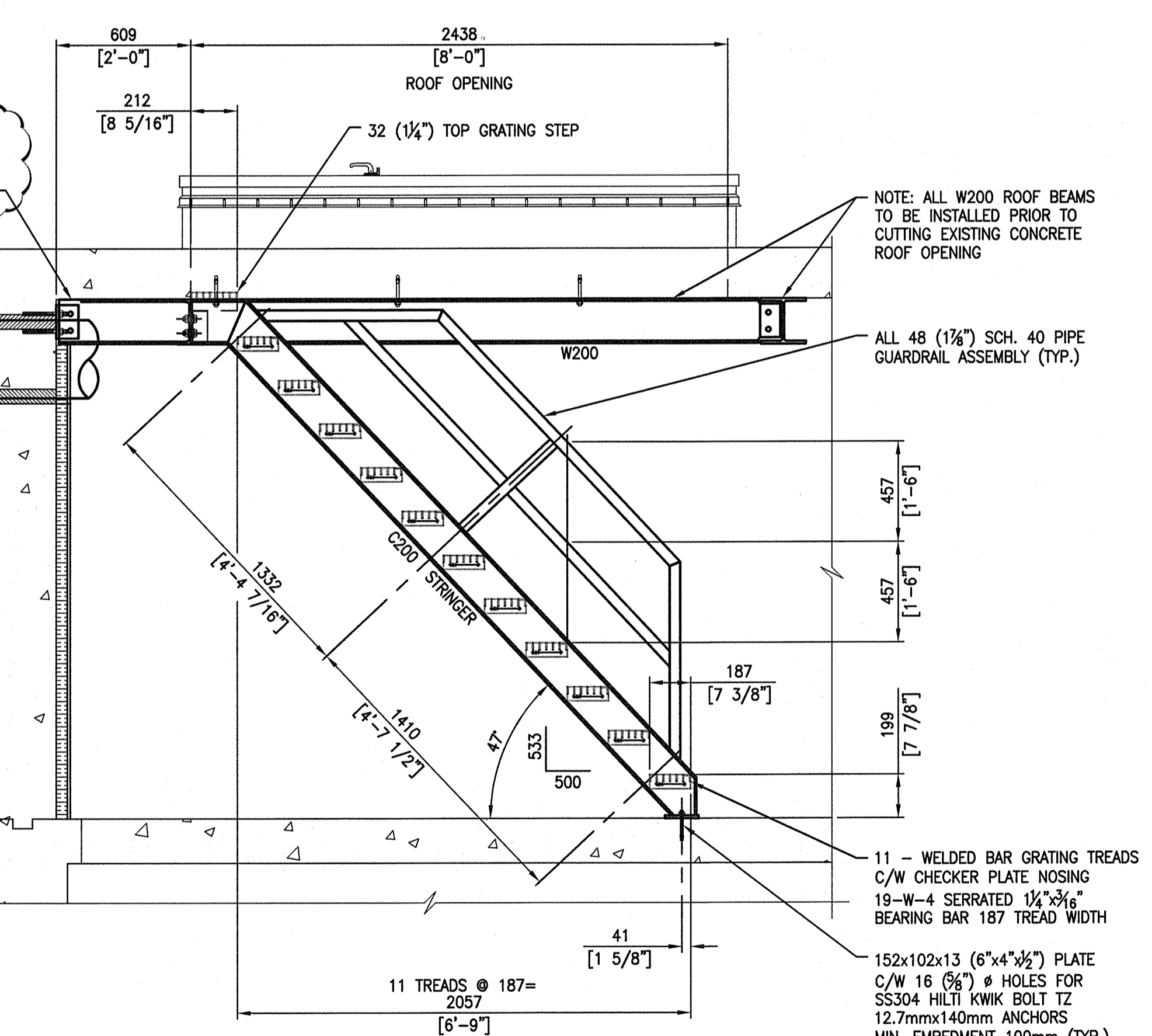
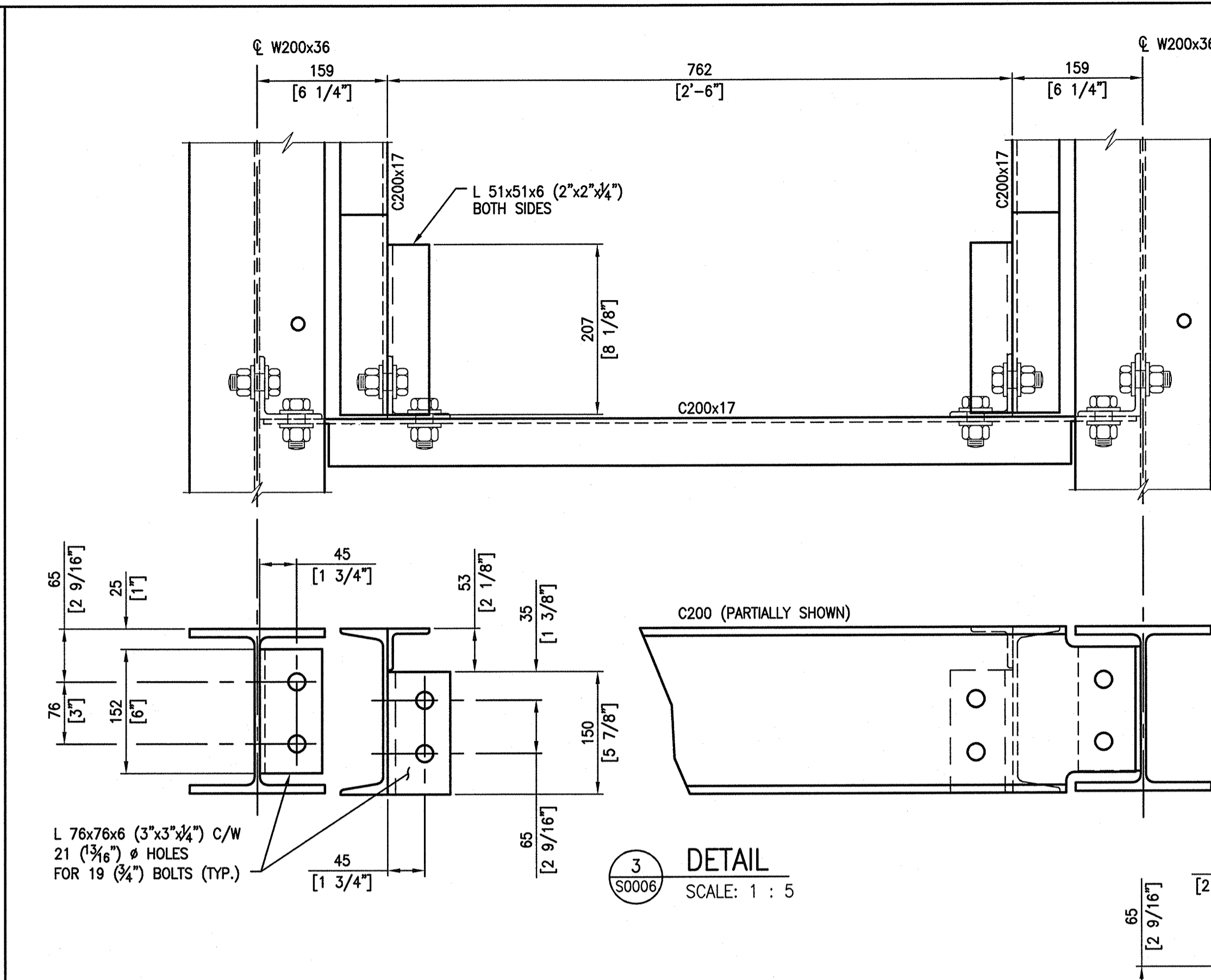
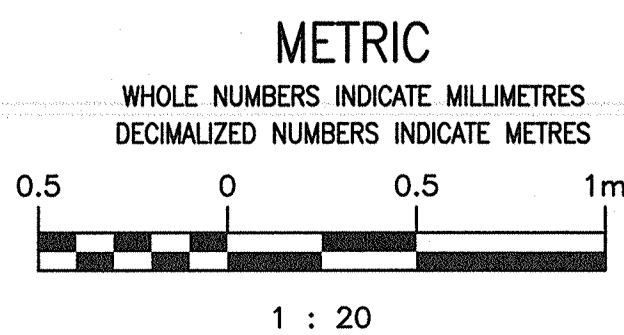
**PARTIAL PLAN**  
SCALE: 1 : 20



**A ELEVATION**  
SCALE: 1 : 20

**5 STAIR ASSEMBLY**  
SCALE: 1 : 20  
SOURCE DRAWING 1-0173F-S0001

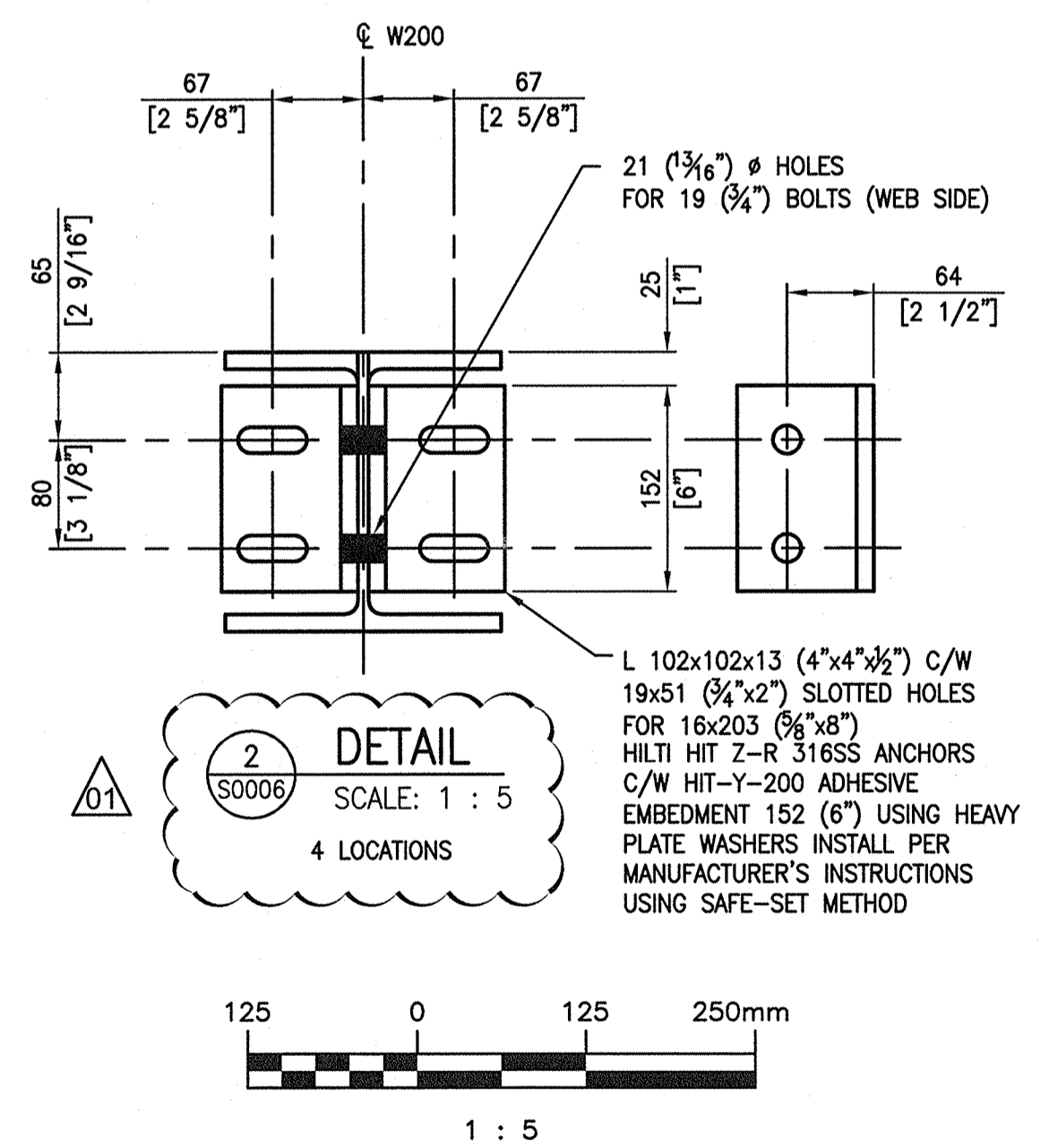
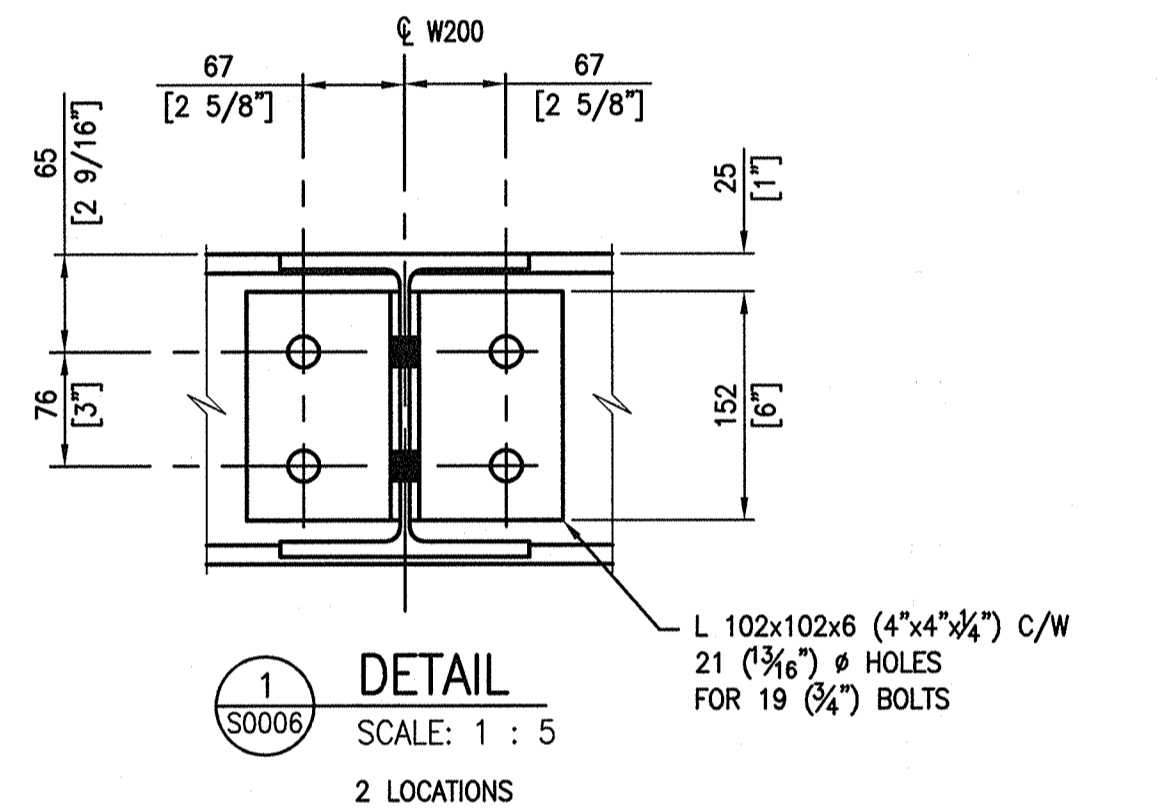
ALL STRUCTURAL 304 S.S. SHAPES AND PLATES CONFORM TO AISA 430 AND ASTM A276.



**B ELEVATION**  
SCALE: 1 : 20

**NOTES:**

- SEE DRAWING 1-0173F-S0001 FOR GENERAL NOTES.
- SEE DRAWING 1-0173F-S0002 FOR STRUCTURAL NOTES.



DRAWING NUMBER	REFERENCE DRAWINGS
LD-2960	POLSON FLOOD PUMPING STATION - CONCRETE SLAB REPAIR
LD-2644	POLSON FLOOD PUMPING STATION - ACCESS HATCH
LD-2643	POLSON FLOOD PUMPING STATION - FLAPGATE INSTALLATION
5-SD-4	POLSON AVENUE PUMPING STATION - SHEET 2
5-SD-4	POLSON AVENUE PUMPING STATION - SHEET 1
512	POLSON COMMUNOTOR STATION - REINFORCING STEEL DETAILS
511	POLSON COMMUNOTOR STATION - CONSTRUCTION DETAILS

<b>SNC-LAVALIN</b>		SNC-LAVALIN INC. 148 Nature Park Way Winnipeg, MB, Canada R3P 0X7 204-786-8080	
DESIGNED BY: K. KOTYK	CHECKED BY: B. CLEVEN	ENGINEER'S SEAL <b>K.K. KOTYK</b> Member 21950 REGISTERED PROFESSIONAL ENGINEER	
DRAWN BY: B. DICKSON	APPROVED BY: B. CLEVEN	THE CITY OF WINNIPEG WATER AND WASTE DEPARTMENT	
SCALE: AS SHOWN	ISSUED FOR CONSTRUCTION BY: K. ZUREK	POLSON FLOOD PUMPING STATION 2020 UPGRADES STRUCTURAL MODIFICATIONS - COMMUNOTOR CHAMBER NEW STAIR ACCESS	
DATE: 2020/05/25	DATE: 2020/09/02	CITY DRAWING NUMBER <b>1-0173F-S0006</b>	
CONSULTANT NO.:		SHEET <b>001</b>	
NO. REVISIONS	DATE	REV. <b>01</b>	
	DESIGN	SIZE <b>A1</b>	
	CHECK		