

**Cap Notes:**

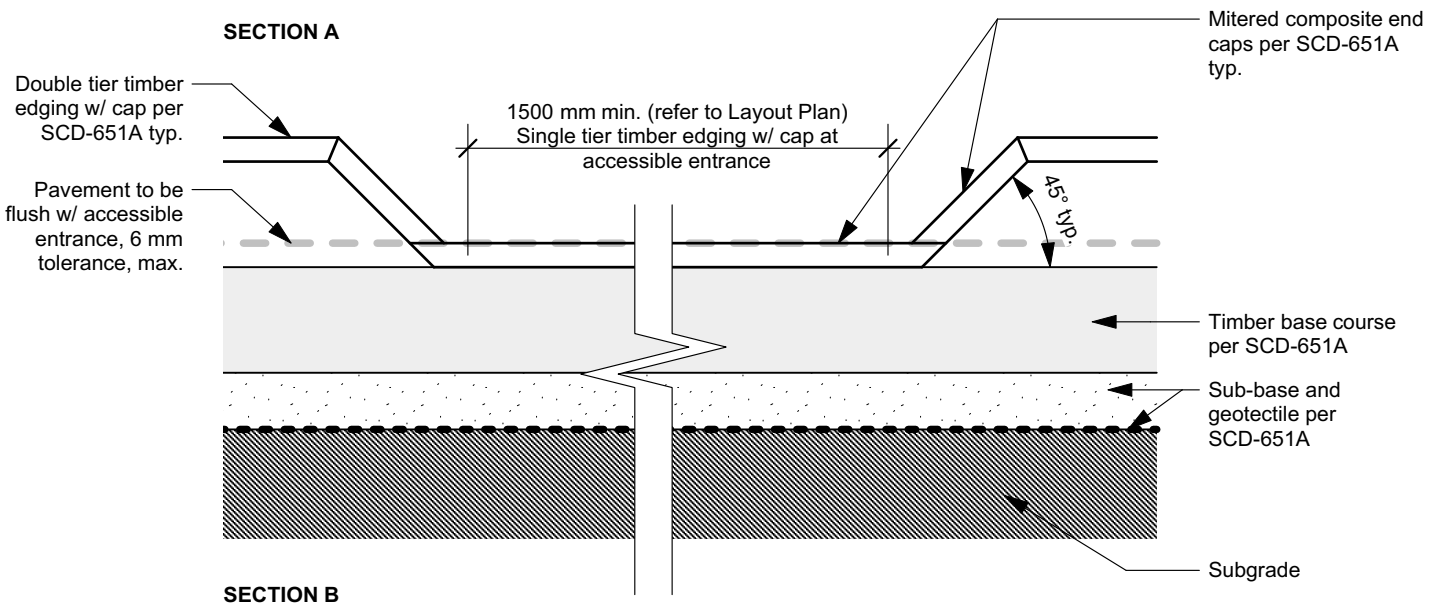
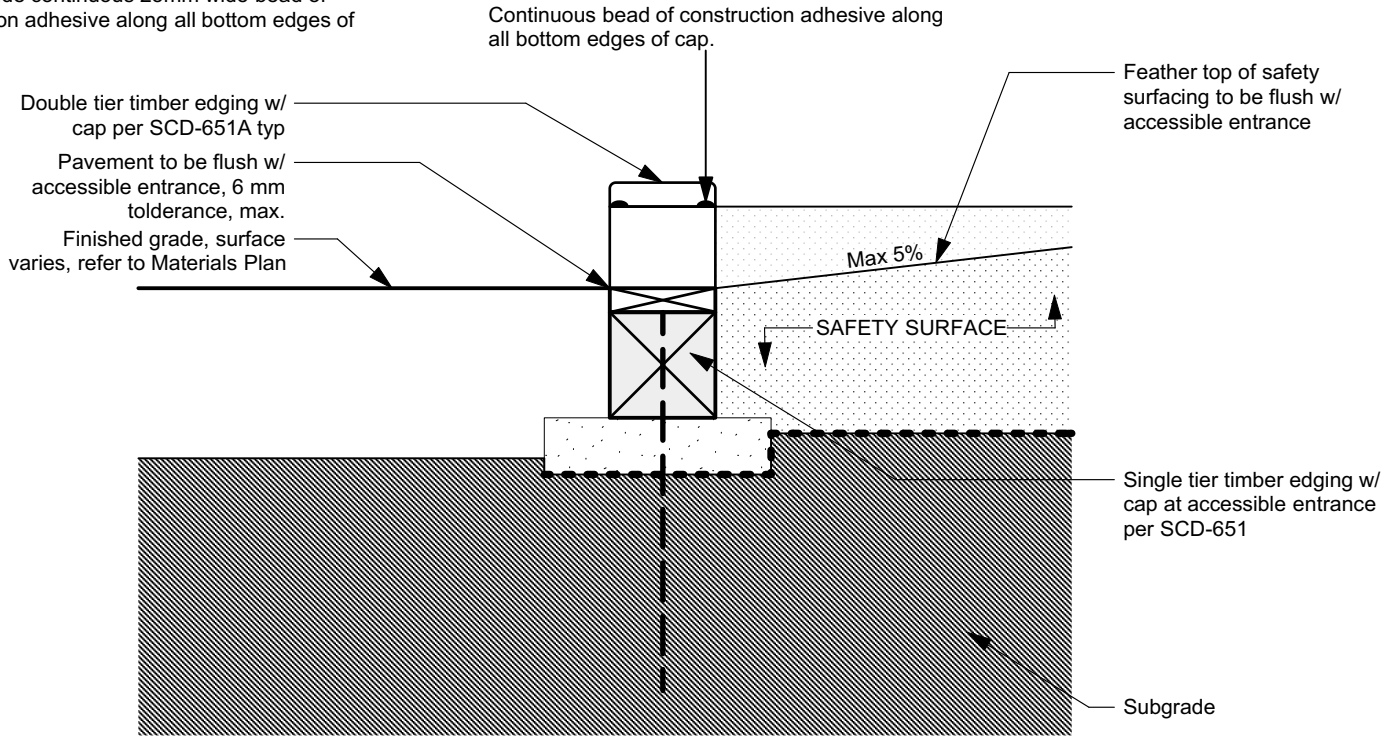
Cap shall be pre-drilled and screwed down using 1/4" structural screws designed for fastening composites to ACQ treated wood and sized to suit. Cap screws to extend into timber base min. 75 mm and to be countersunk into cap.  
Two parallel screws every 600 mm O.C. along length and at ends. Only use mitre joints for straight sections of cap. Min. length of cap to be 1200 mm. Install longest lengths possible. All end cuts to be treated with appropriate above ground (clear) or below ground preservative suitable for outdoor applications.  
Shall include continuous 25mm wide bead of construction adhesive along all bottom edges of cap.

Drawing Title:

**Double Timber Edging with Cap at accessible entrance**

Drawing No:

**SCD-651C**



DIMENSIONS SHOWN ARE IN MILLIMETRES UNLESS OTHERWISE SPECIFIED

REVISION: 2  
DATE: August 10, 2020  
SCALE: NTS  
DRAWN BY: GZ

The City of Winnipeg  
Planning, Property and Development Department  
Planning and Land Use Division  
Unit 15 - 30 Fort Street, Winnipeg, MB, R3C 4X5

