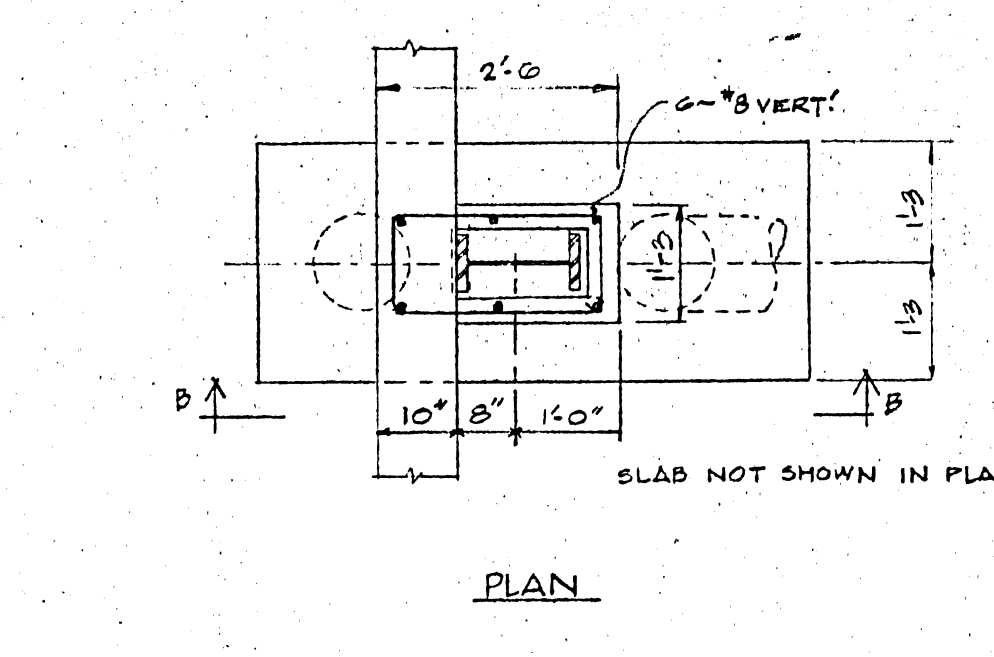
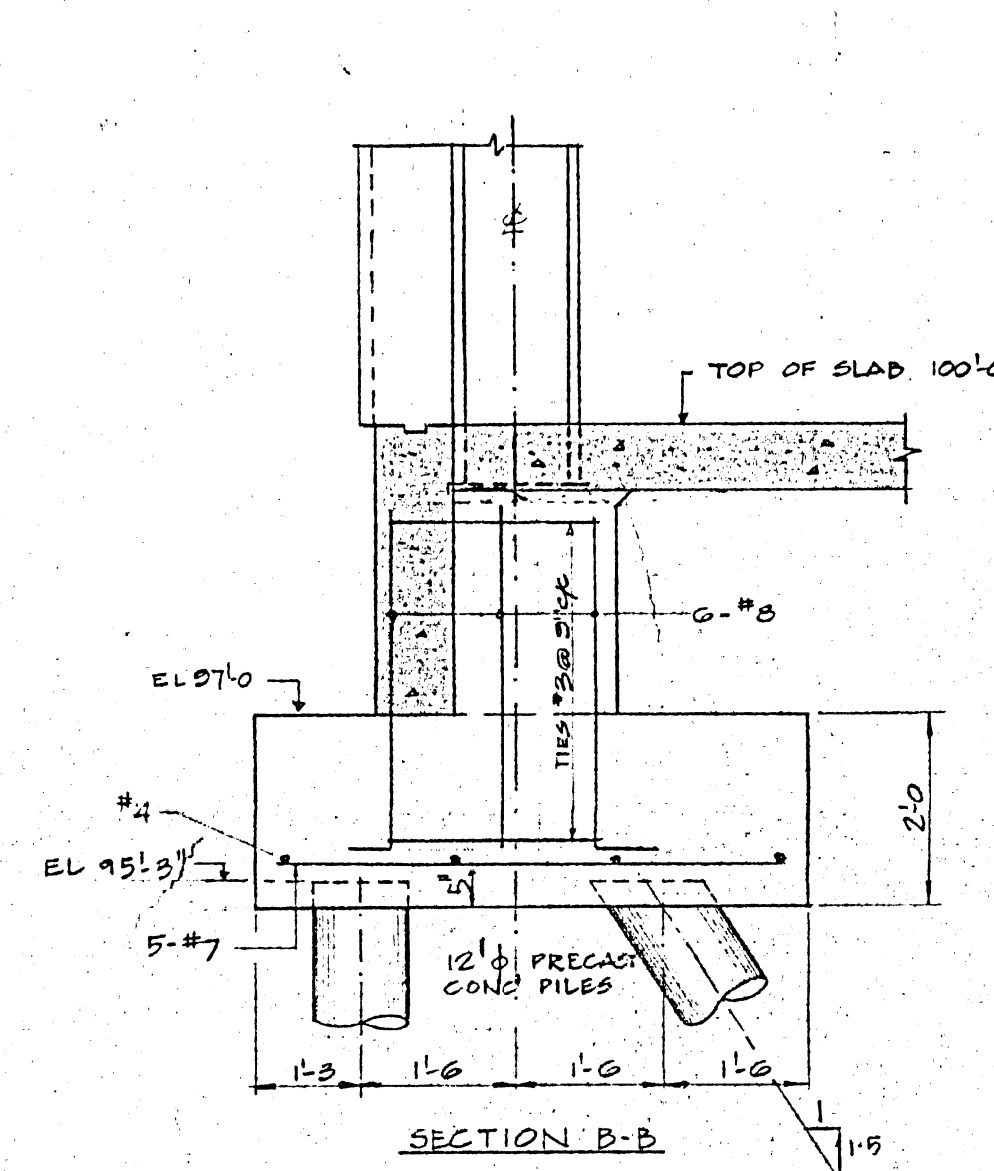
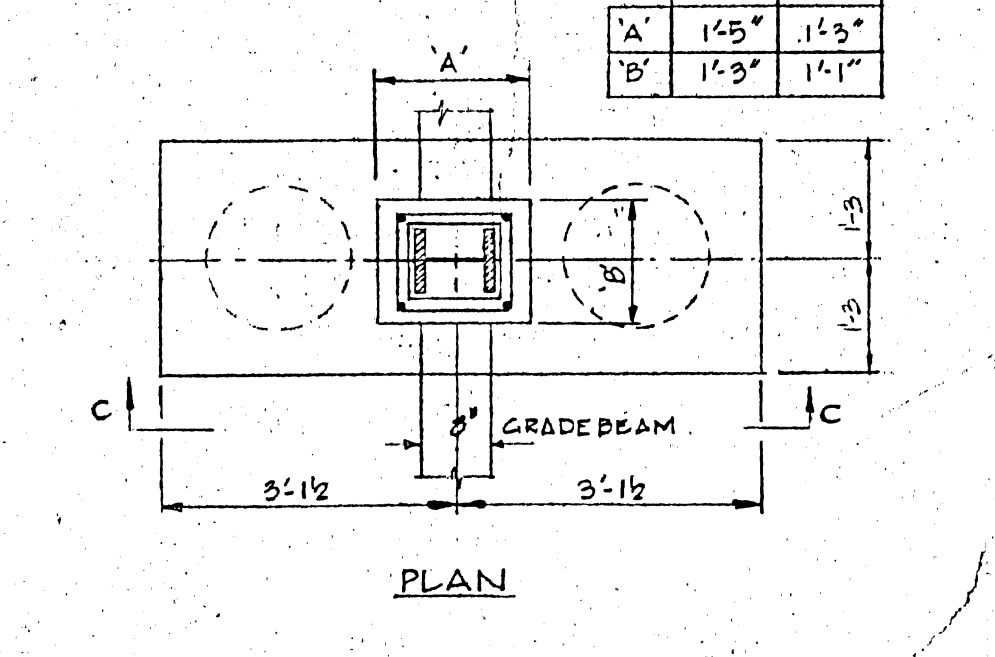
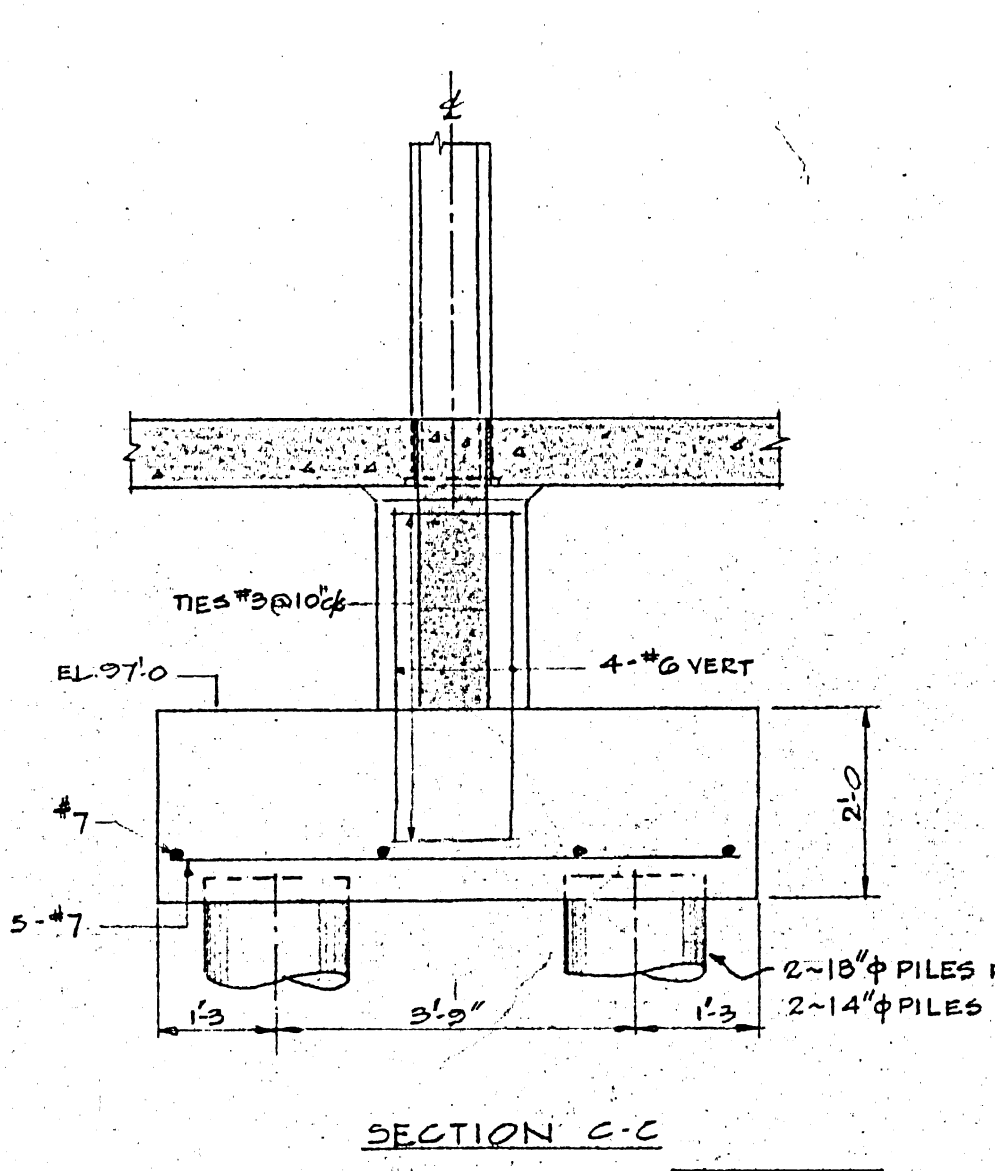


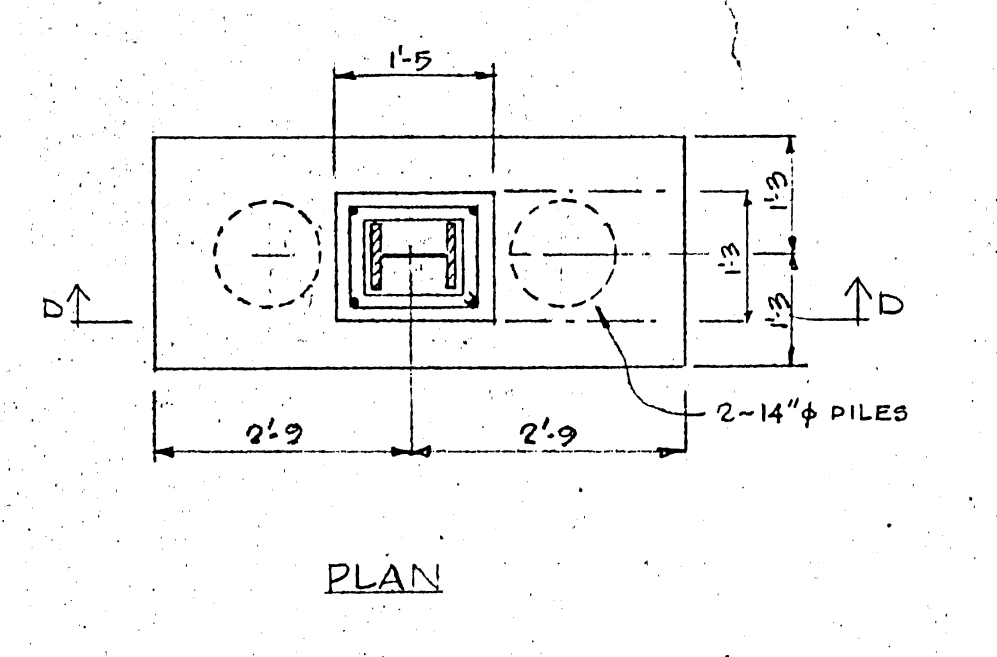
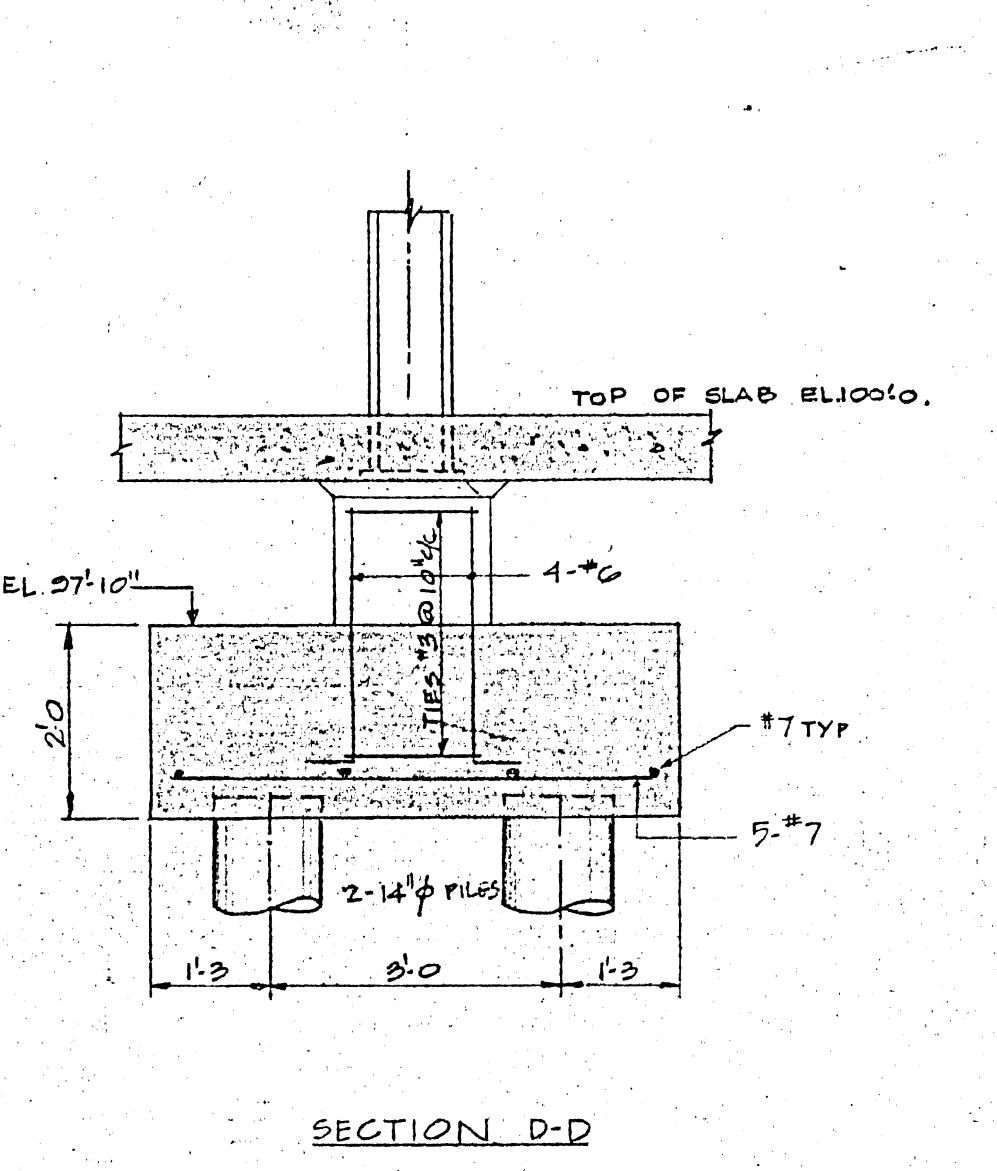
TYPE P71 (AS NOTED) ~ 16 REQ'D.  
 TYPE P72 (---) ~ 16 REQ'D.  
 TYPE P73 (---) ~ 3 REQ'D.



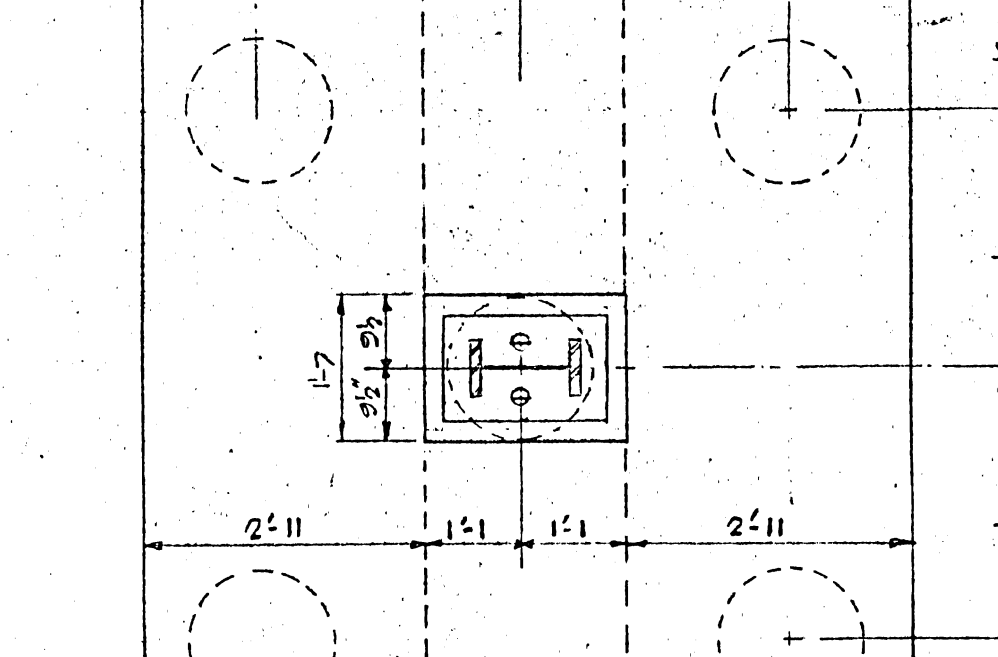
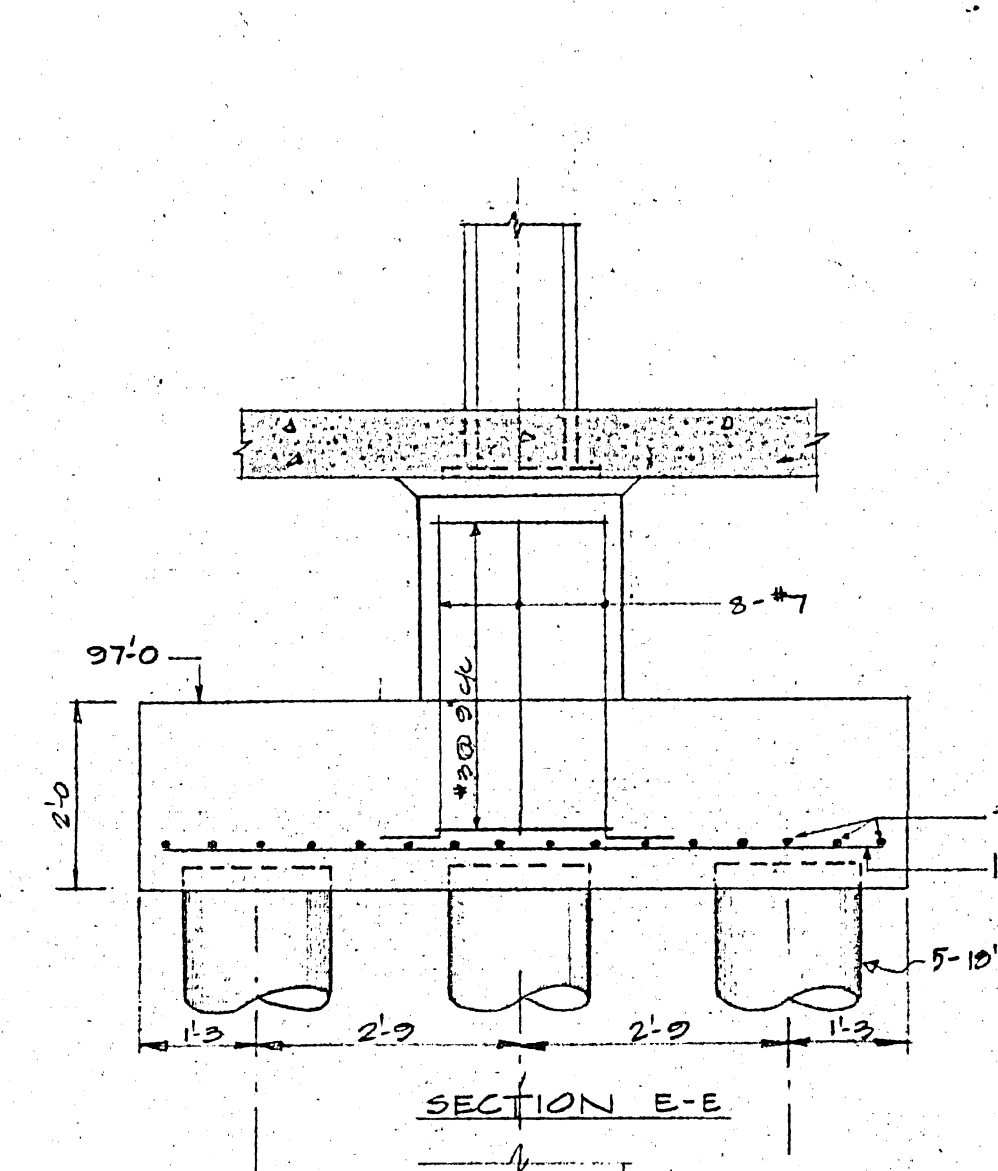
TYPE P74 ~ 8 REQ'D.



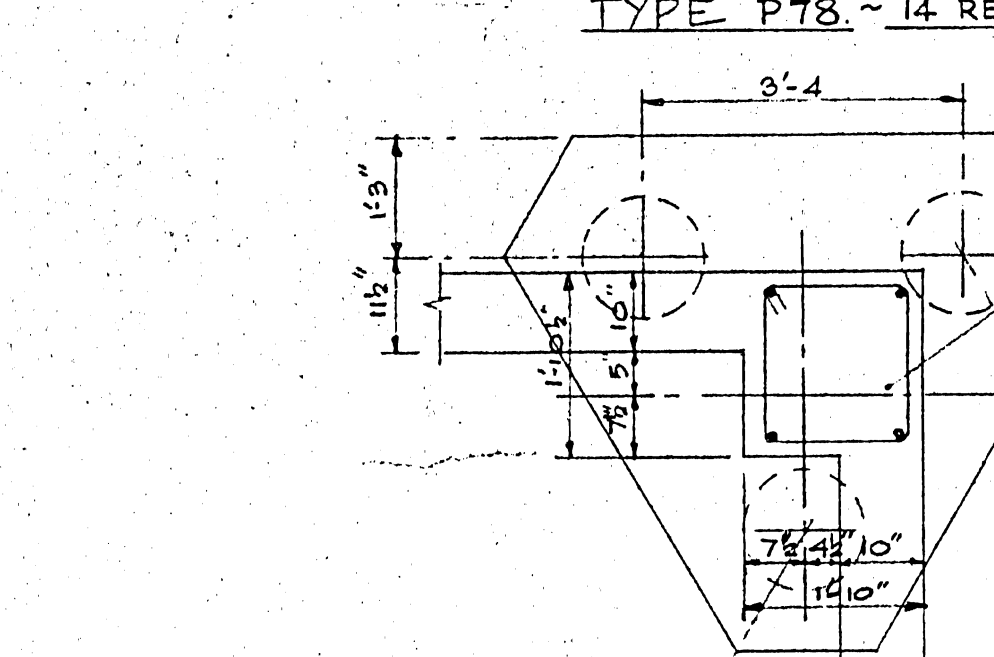
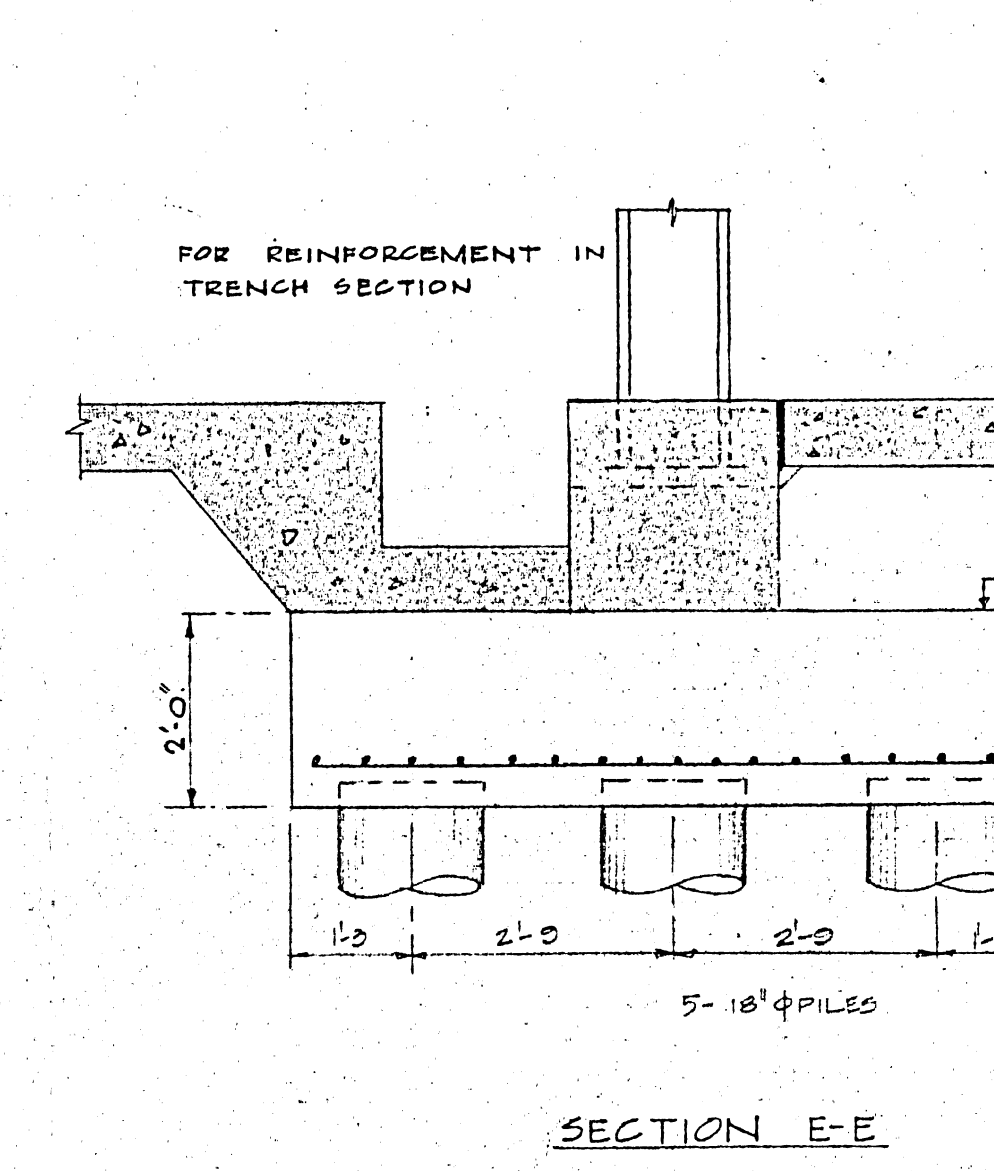
TYPE P75 ~ 17 REQ'D.  
 TYPE P85 ~ 8 REQ'D.



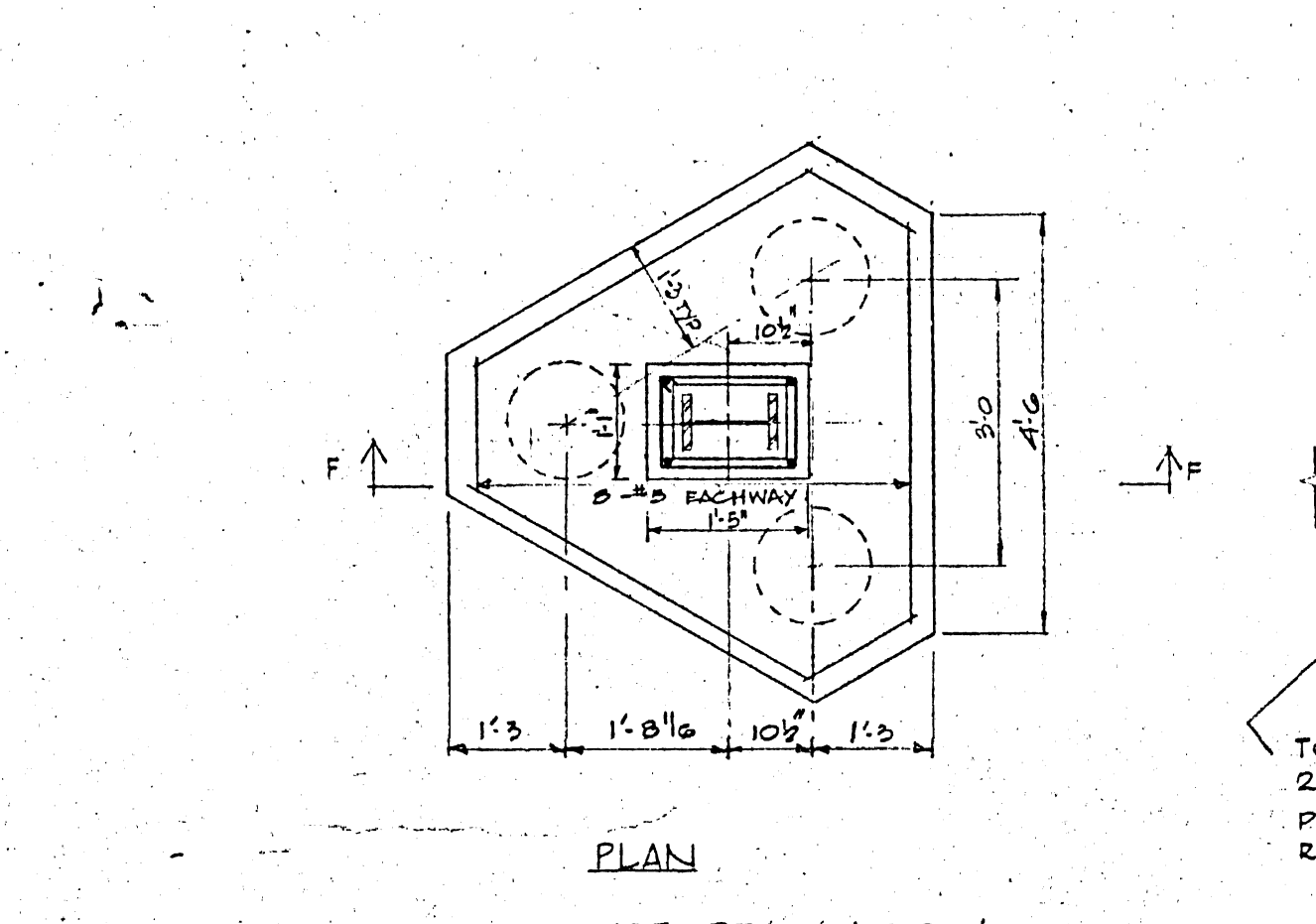
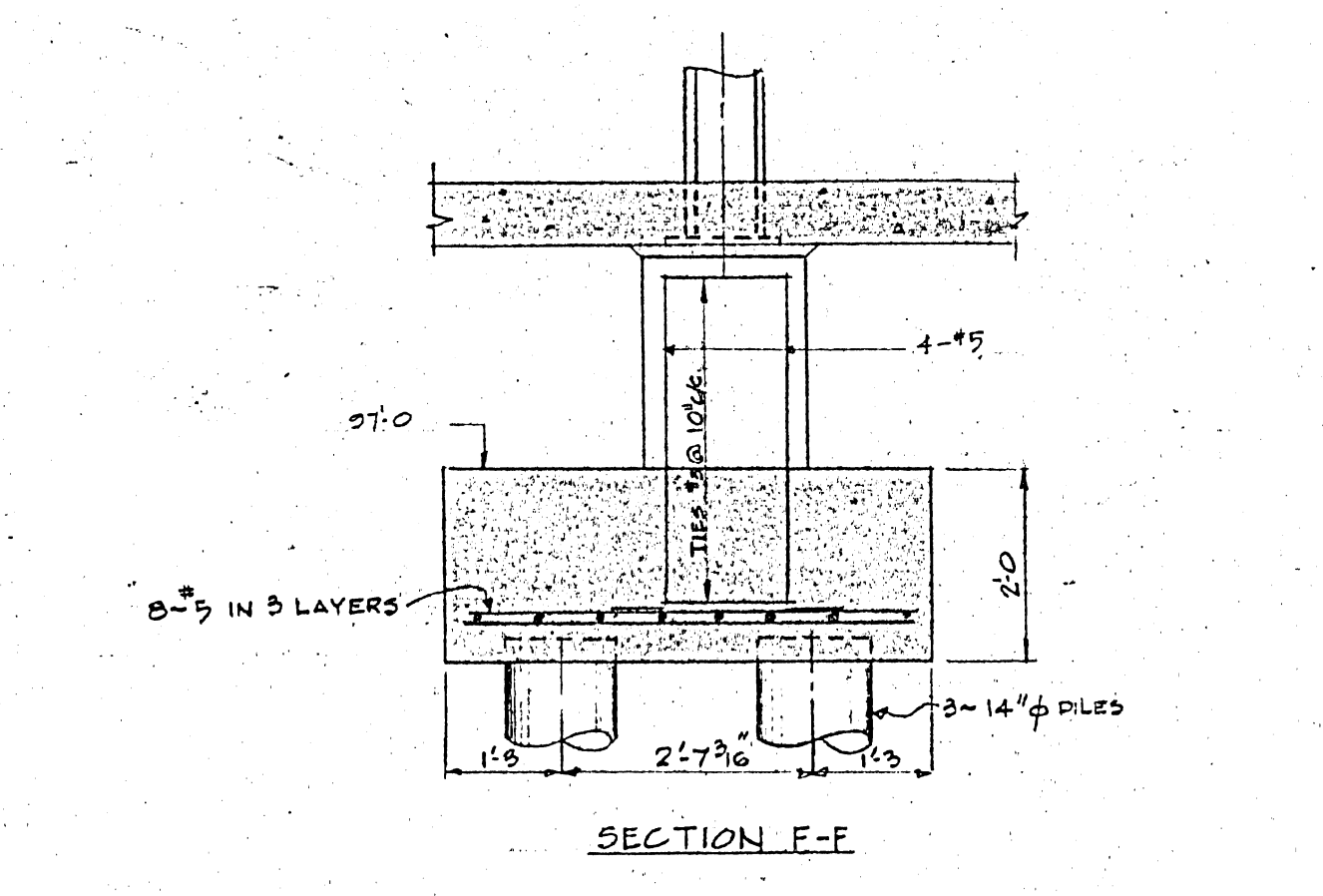
TYPE P76 ~ 10 REQ'D.



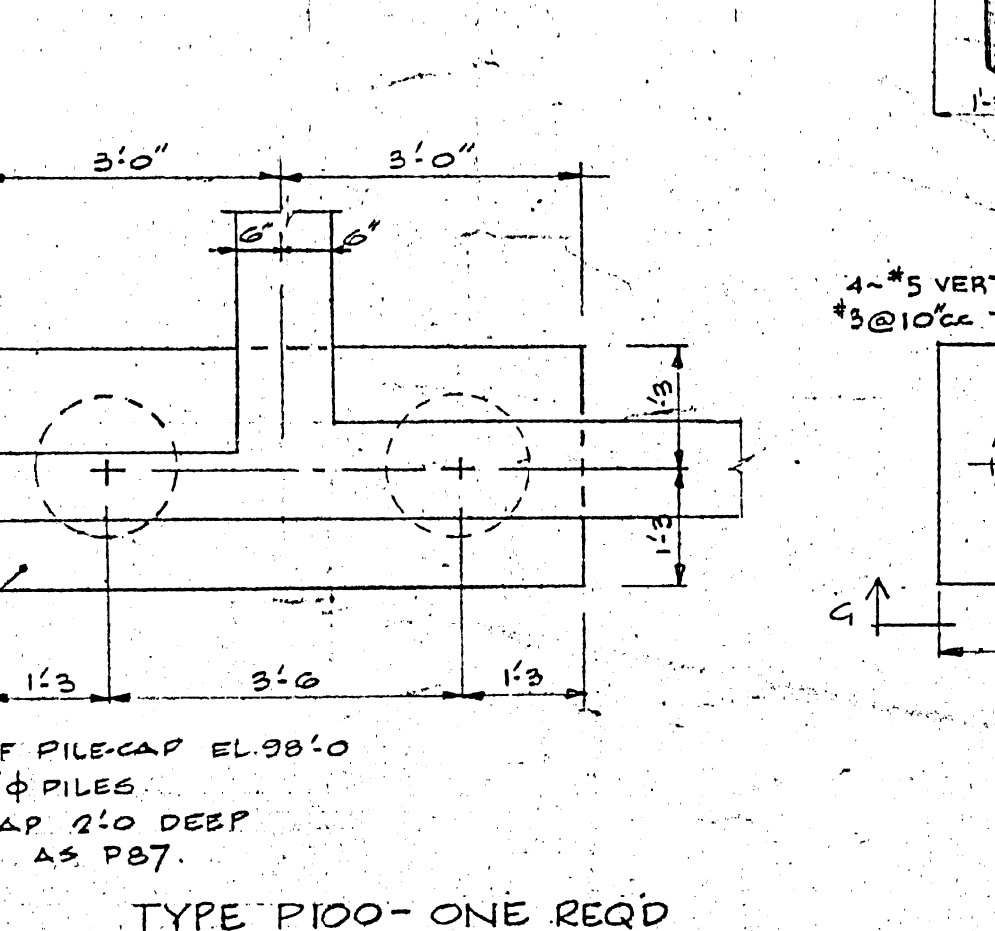
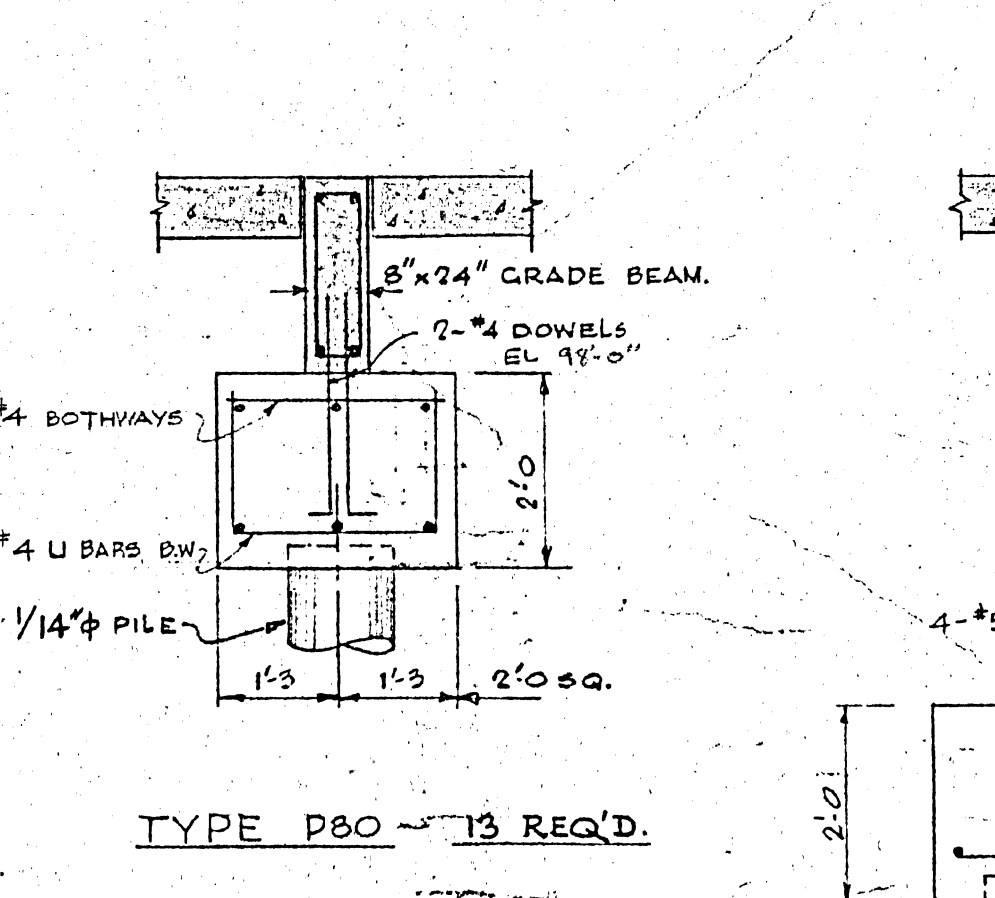
TYPE P77 ~ 1 REQ'D.



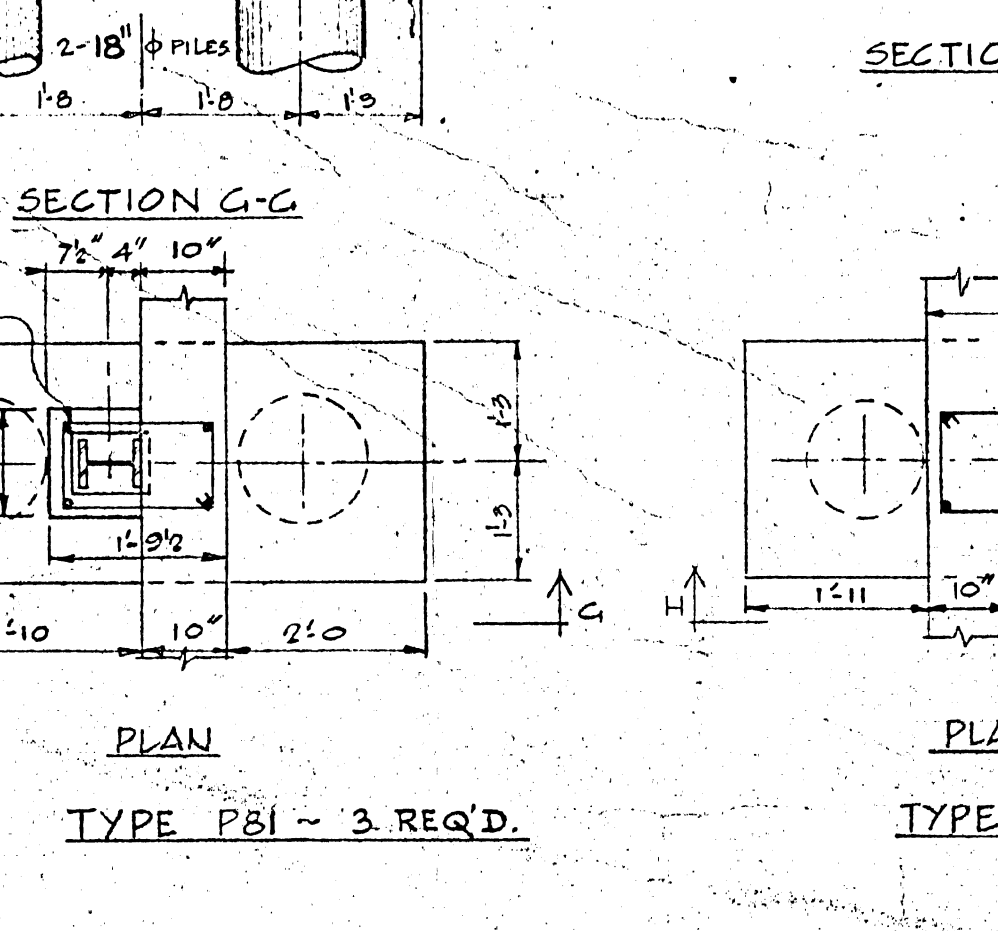
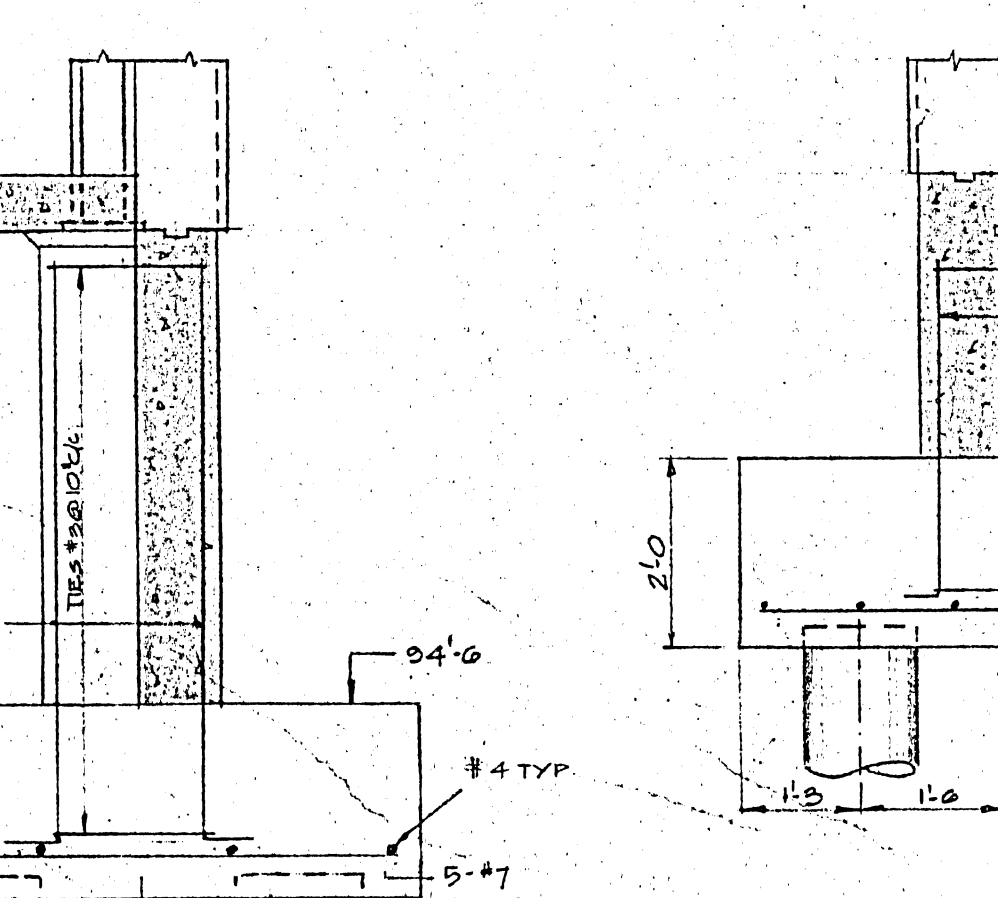
TYPE P78 ~ 14 REQ'D.  
 TYPE P83 ~ ONE REQ'D.



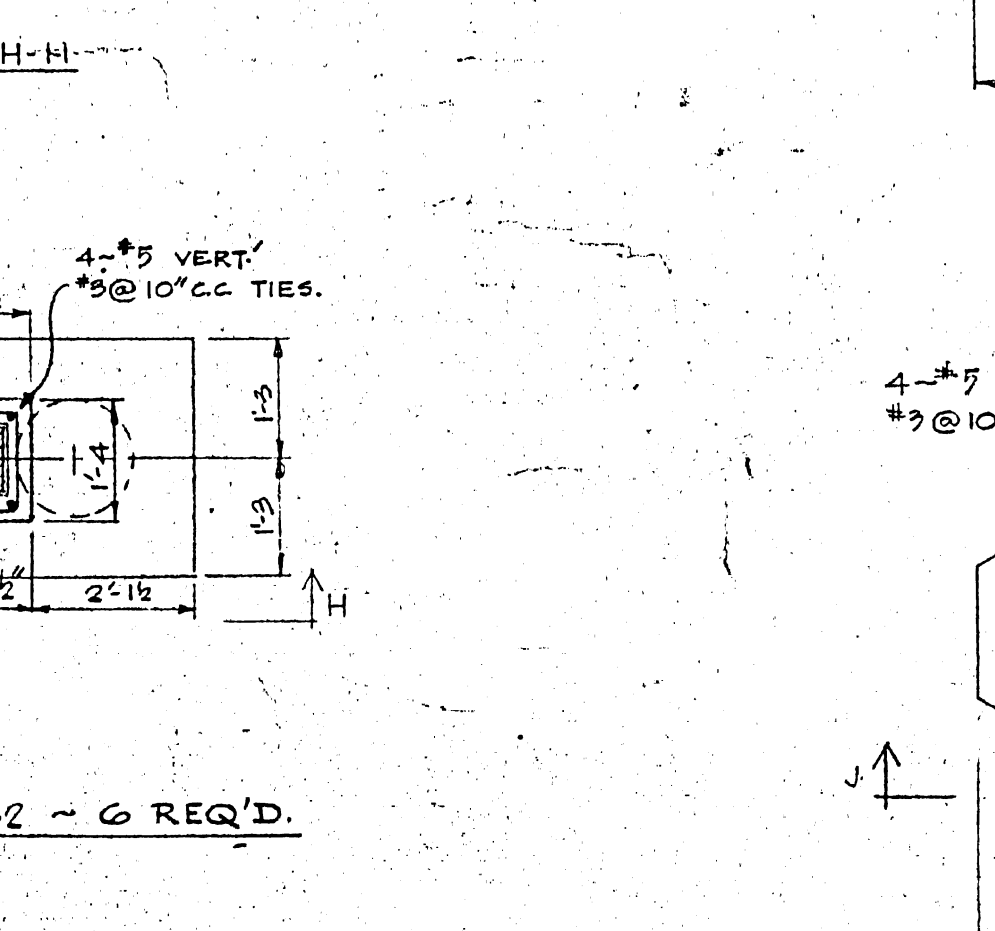
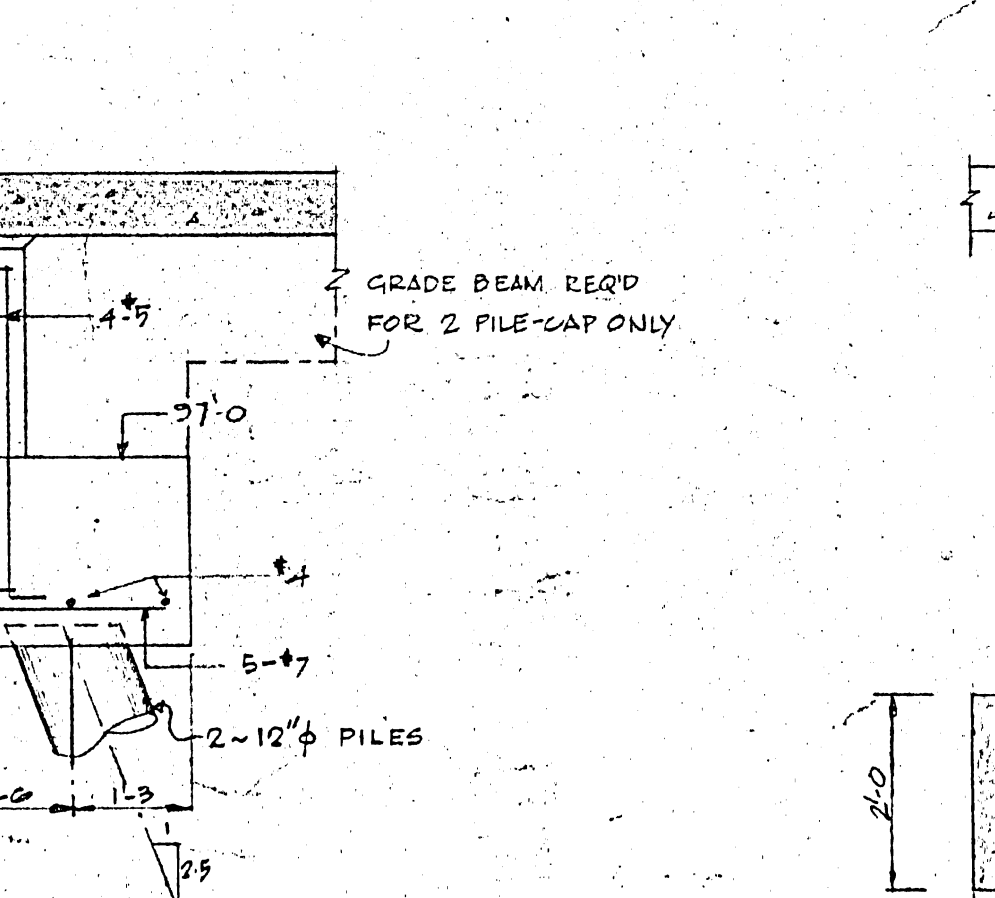
TYPE P79 ~ 4 REQ'D.



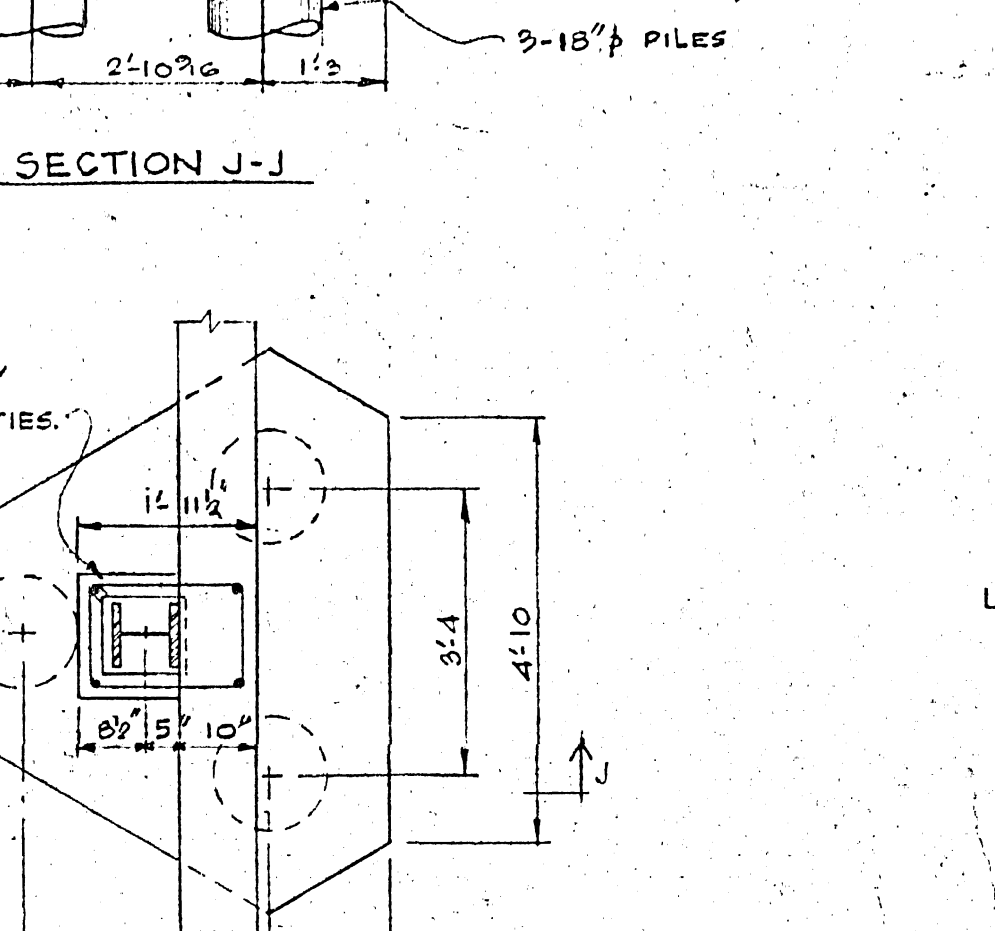
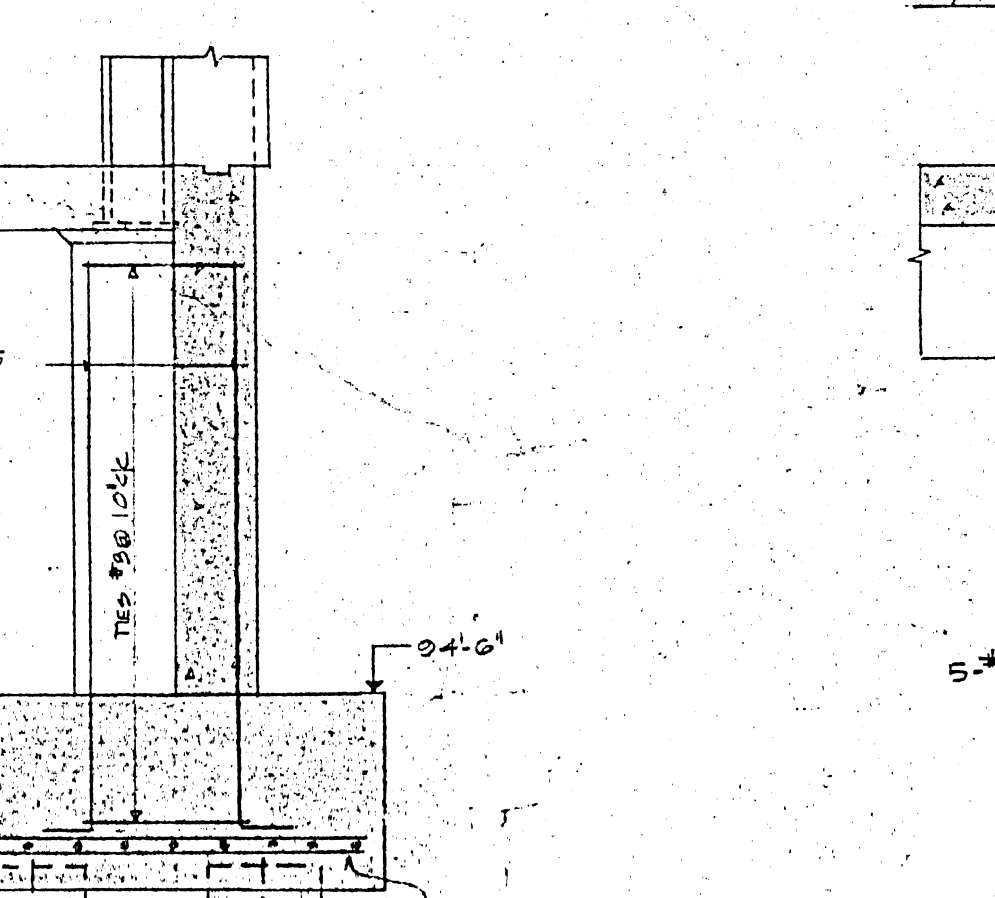
TYPE P80 ~ 13 REQ'D.



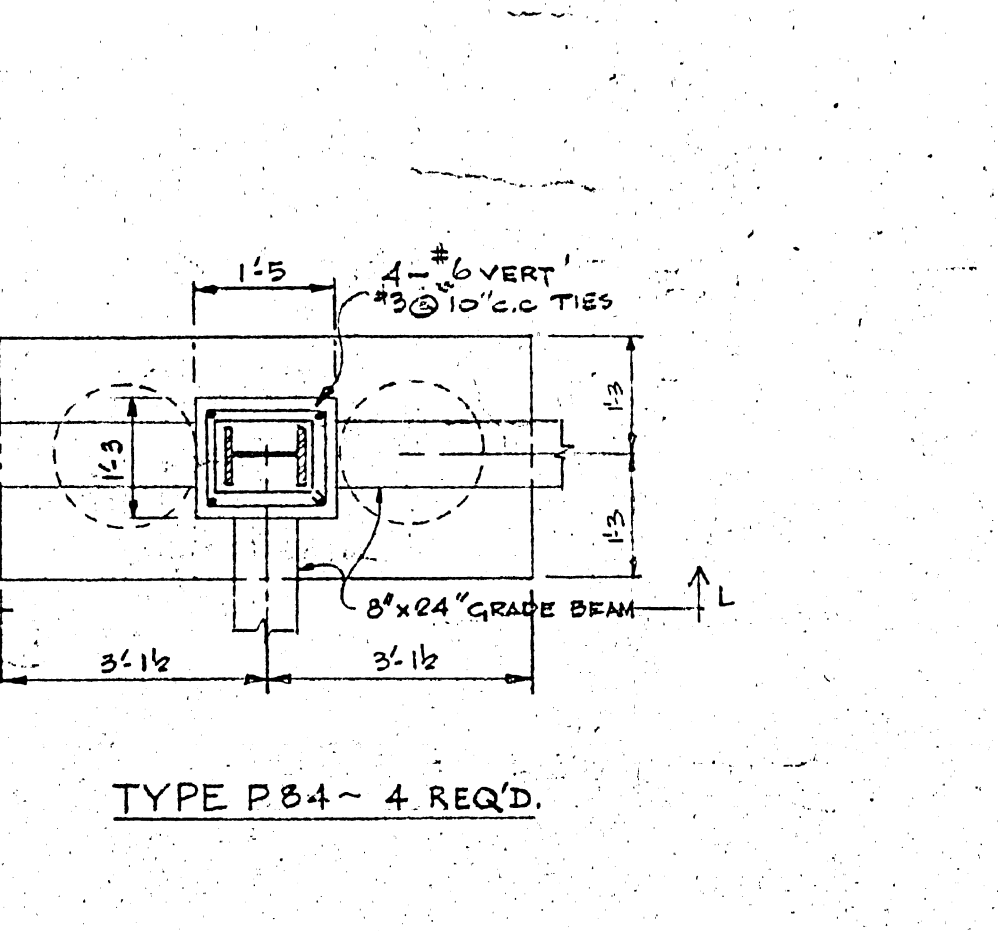
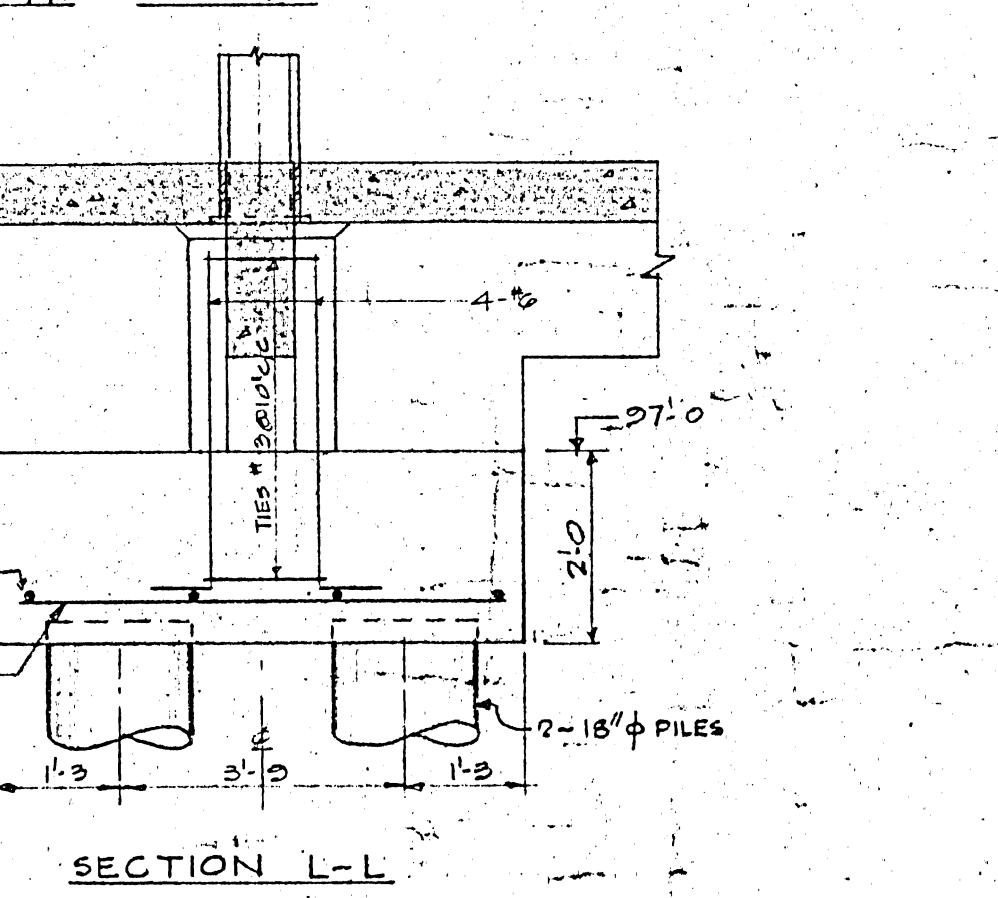
TYPE P81 ~ 3 REQ'D.



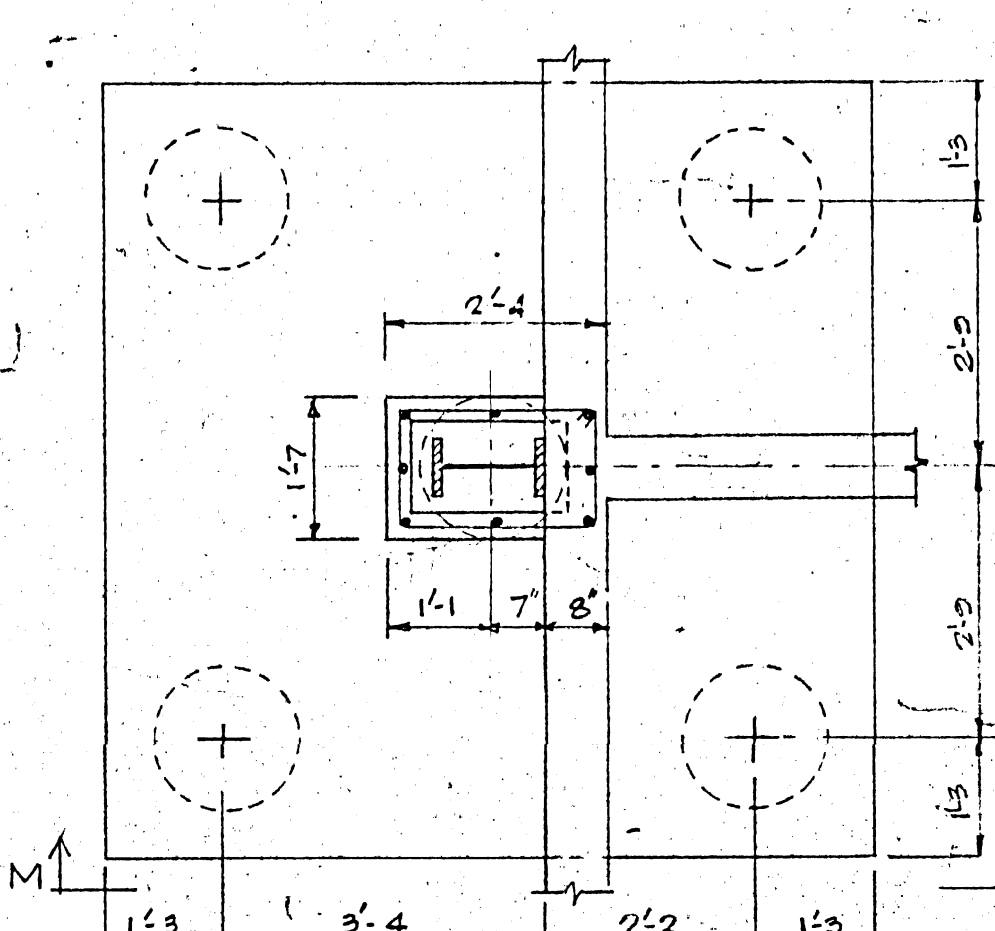
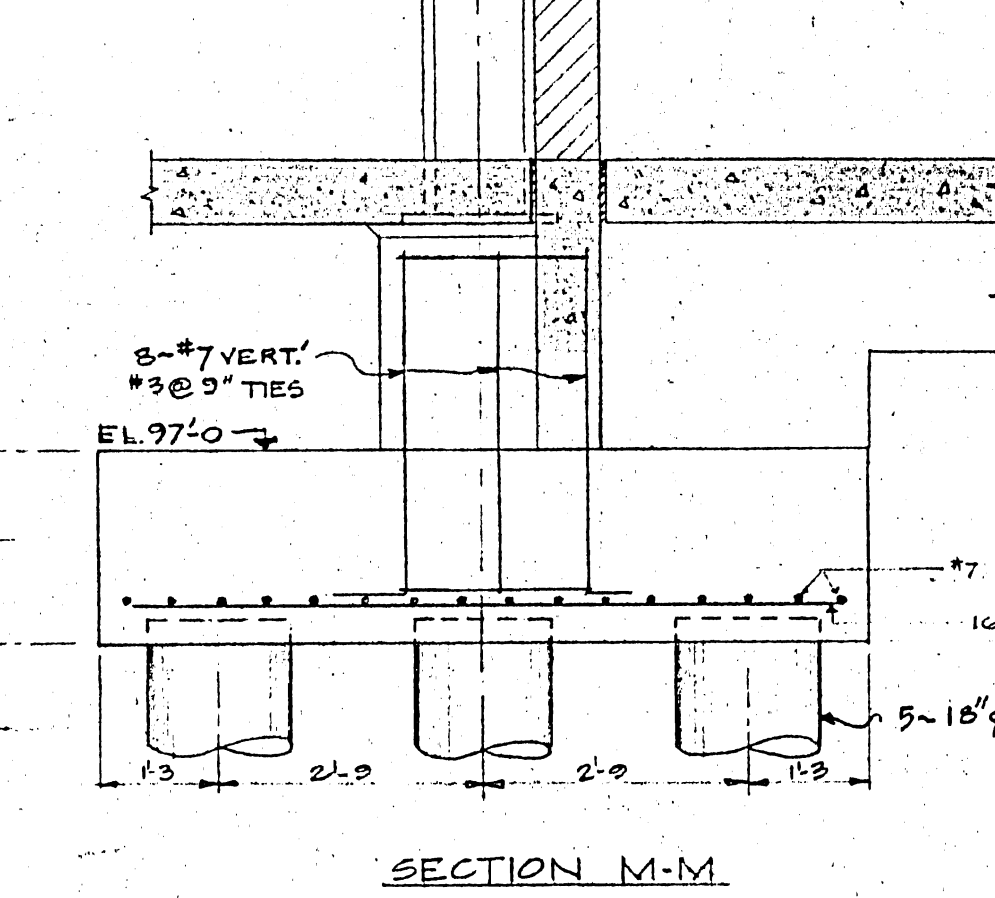
TYPE P82 ~ 6 REQ'D.



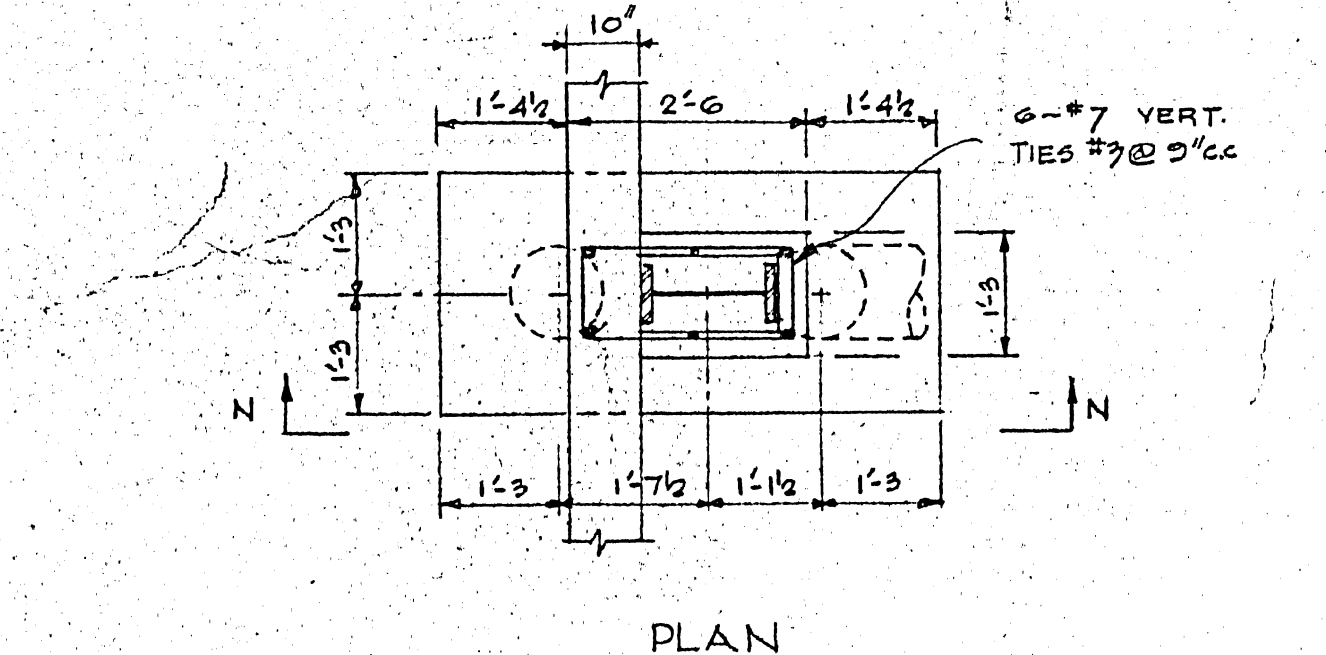
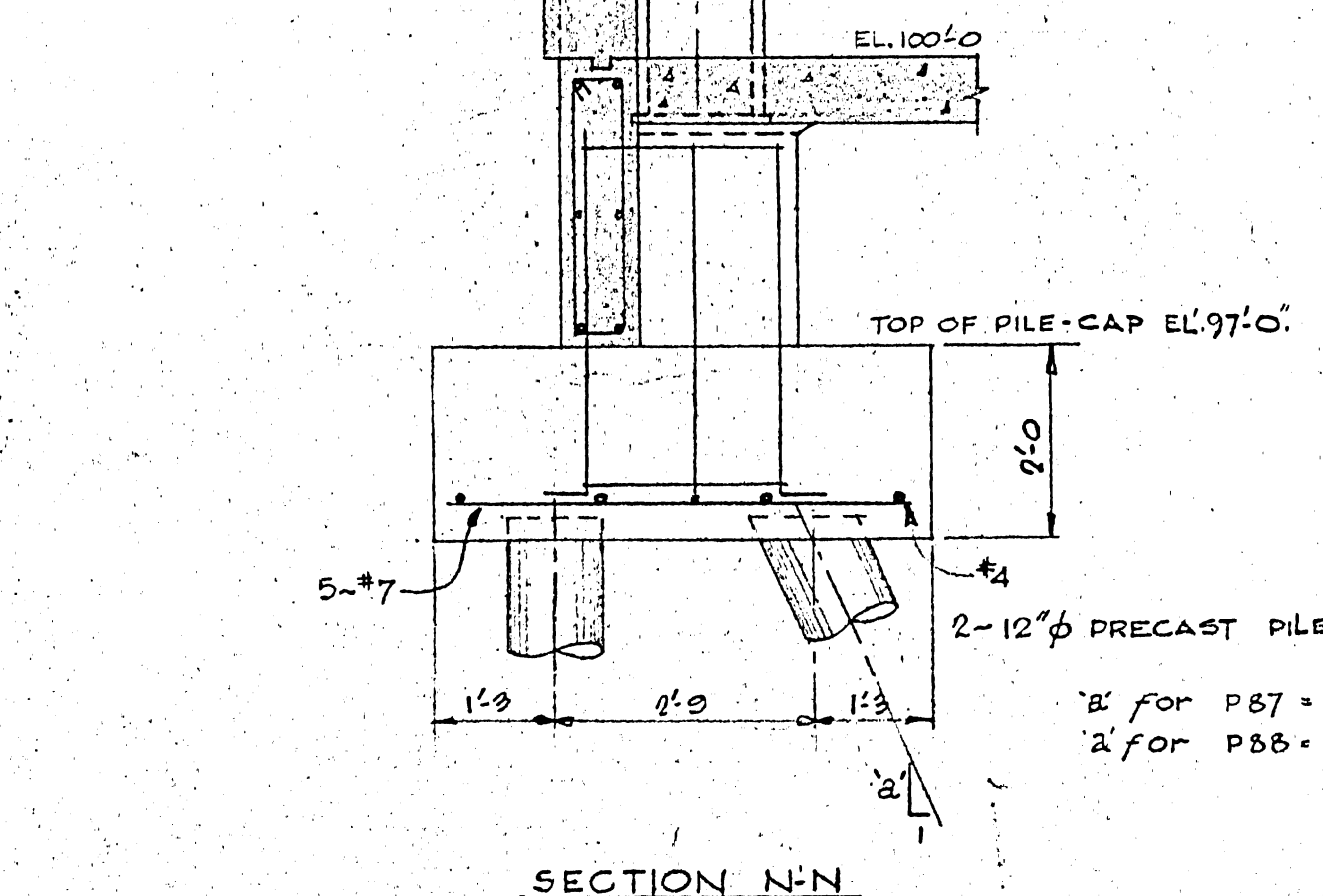
TYPE P83 ~ 12 REQ'D.



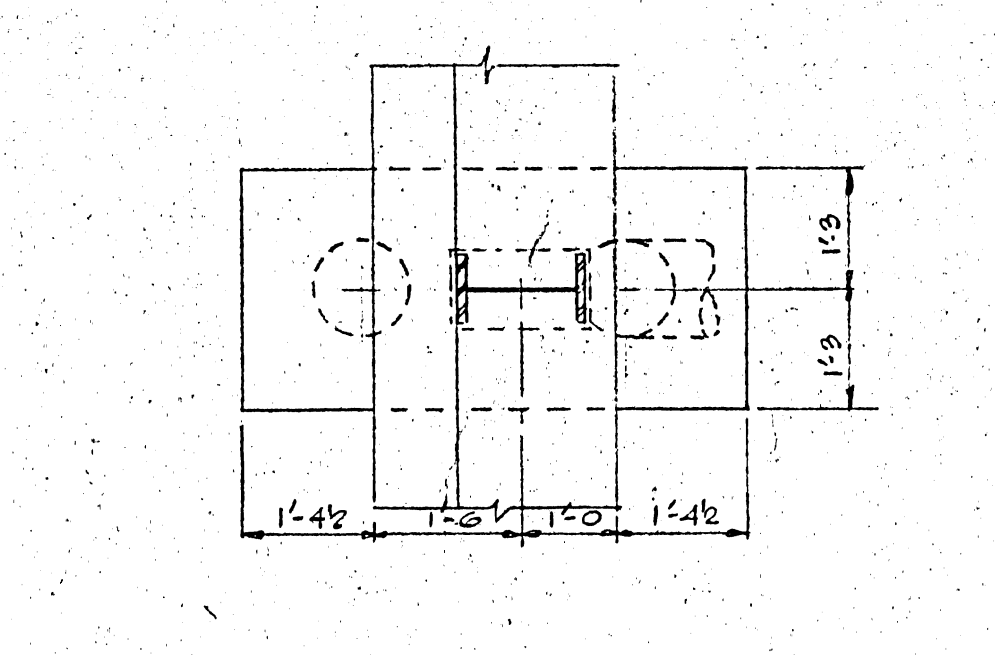
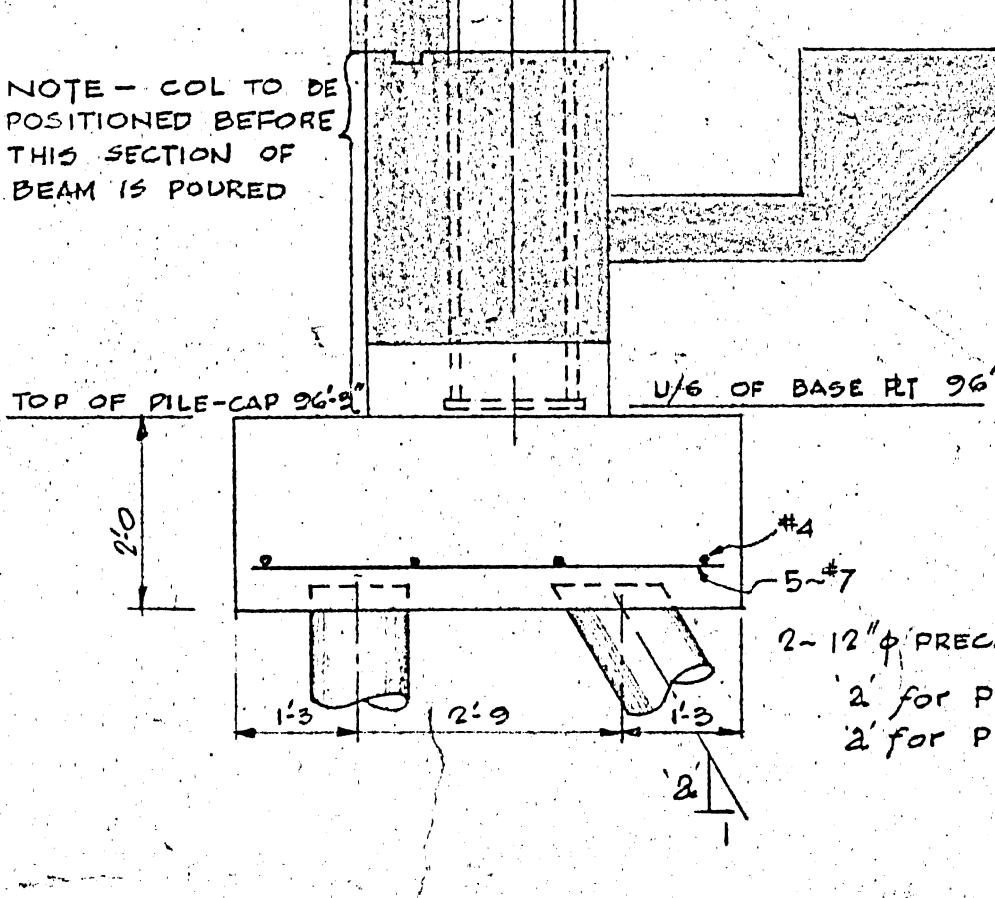
TYPE P84 ~ 4 REQ'D.



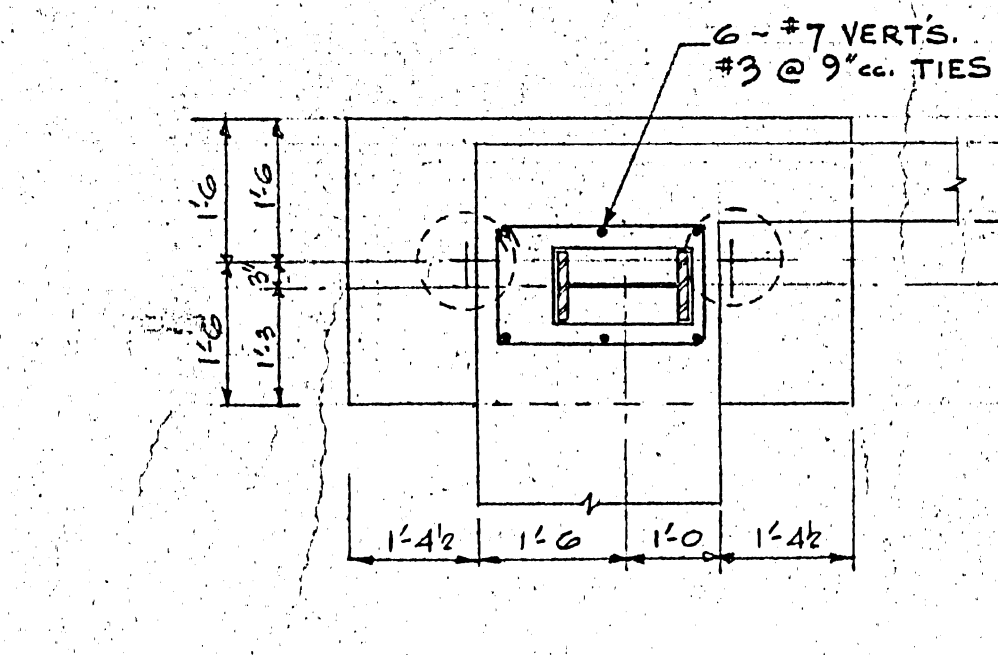
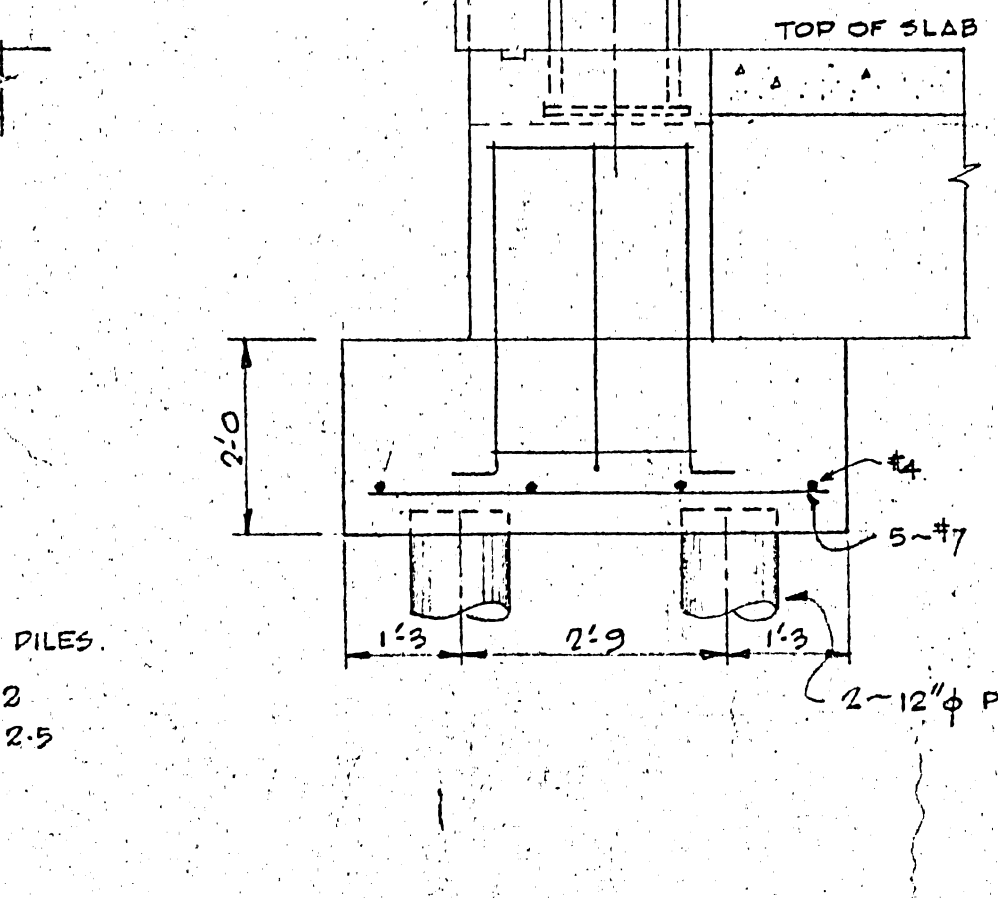
TYPE P86 ~ 4 REQ'D.



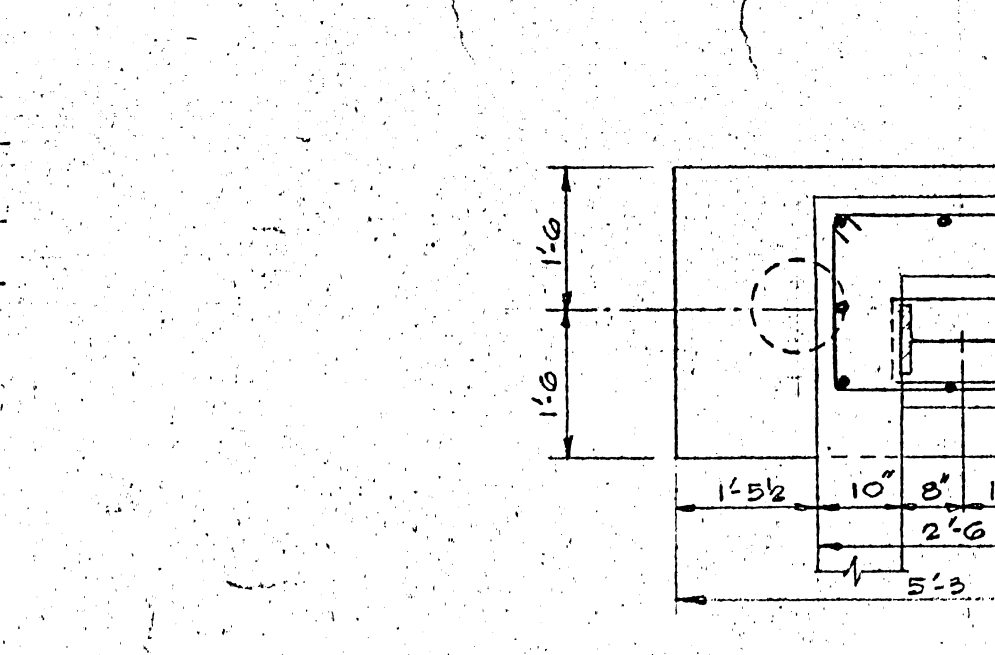
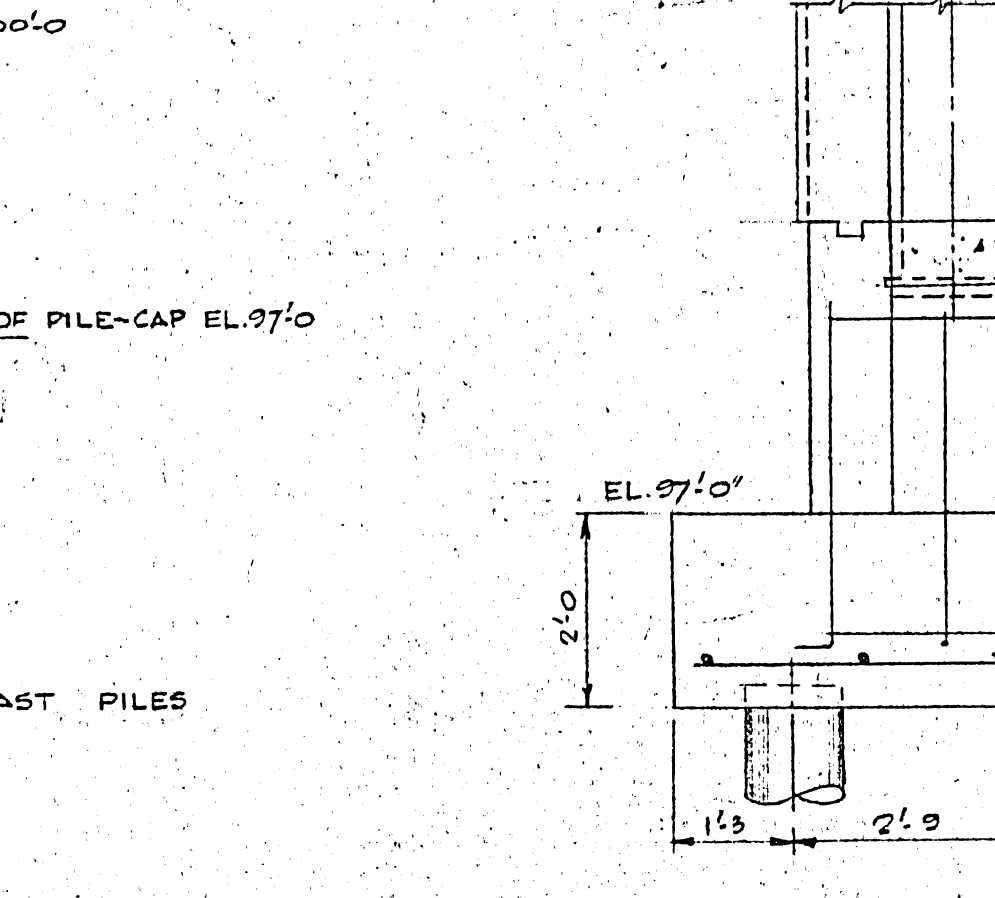
TYPE P87 ~ ONE REQ'D.  
 TYPE P88 ~ 2 REQ'D.



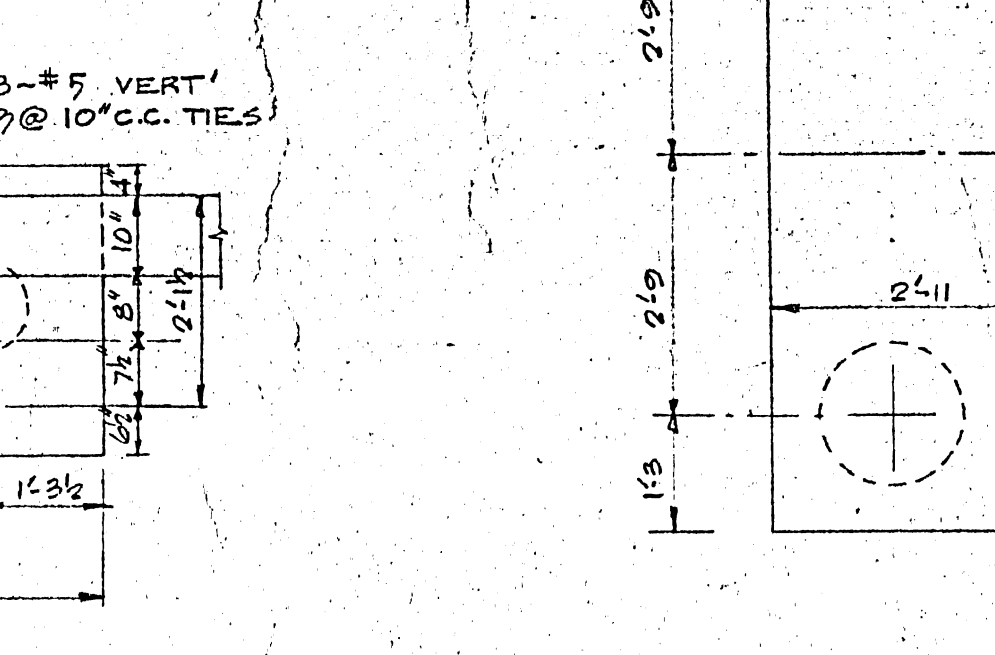
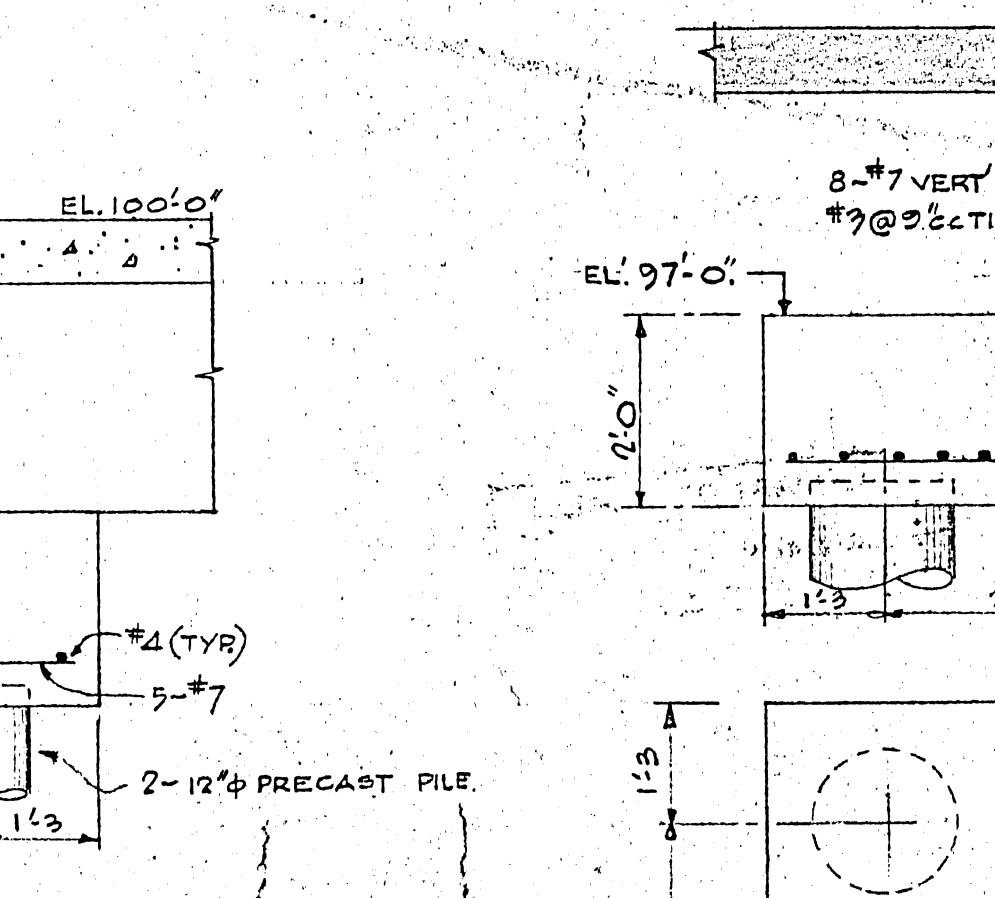
TYPE P89 ~ 3 REQ'D.  
 TYPE P90 ~ 2 REQ'D.



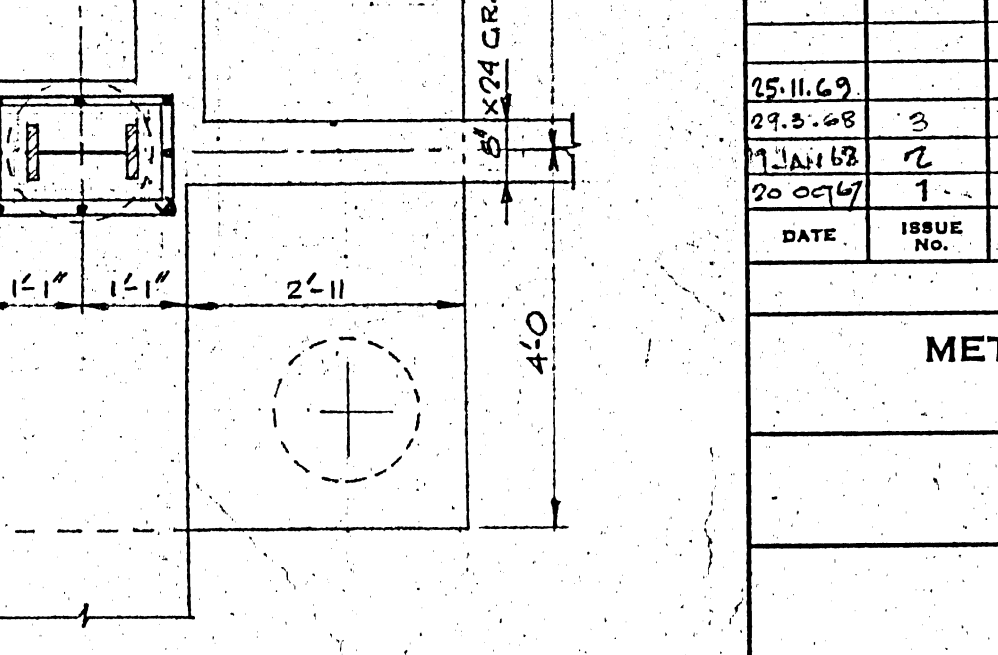
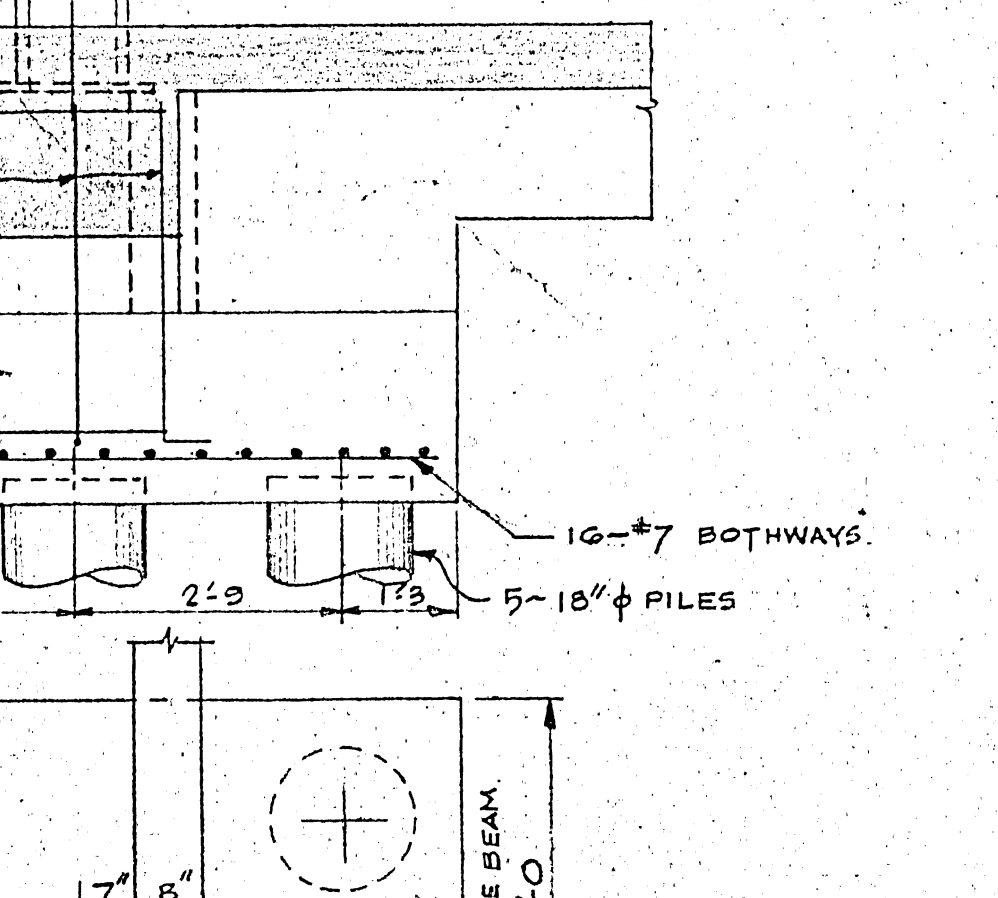
TYPE P91 ~ ONE REQ'D.



TYPE P92 ~ ONE REQ'D THUS  
 TYPE P94 ~ 2 REQ'D OPP HAND.



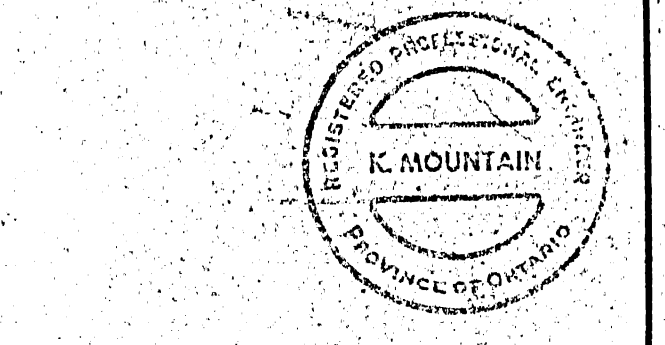
TYPE P95 ~ ONE REQ'D.



TYPE P95 ~ ONE REQ'D.

**B-14**  
**FILE**  
 RETURN TO CIVIC ENGINEERING BUILDING INVENTORY.

LICENSED TO PRACTICE IN THE PROVINCE OF MANITOBA My License Expire: 12 Jan 1979  
 2185-319



DATE	ISSUE NO.	REV. NO.	DESCRIPTION	DRAWN BY
			AS BUILT FOR CONSTRUCTION	S.L.Z.
			FOR TENDERS FOR APPROVAL	RE
			DESCRIPTION	
ISSUE OR REVISION				
METROPOLITAN CORPORATION OF GREATER WINNIPEG STREETS AND TRANSIT DIVISION				
TRANSIT STORAGE AND SHOP FACILITIES OVERHAUL & REPAIR SHOP PILE CAP DETAILS				
CONSULTING PROFESSIONAL ENGINEERS A. D. MARGISON AND ASSOCIATES LIMITED 1155 LESLIE STREET, DON MILLS, ONTARIO			ARCHITECTS WILHELM ROSS & BLANKSTEIN 10 DONALD STREET, WINNIPEG, MANITOBA	
APPROVED	DRAWN BY	DATE	SCALE	DRAWING NO.
<i>[Signature]</i>	RE	AUG 67	1/2" TO 1"	2185-319
DEPUTY DIRECTOR OF STREETS AND TRANSIT	CHECKED	FILE NO.	SHEET NO.	STRUCTURAL