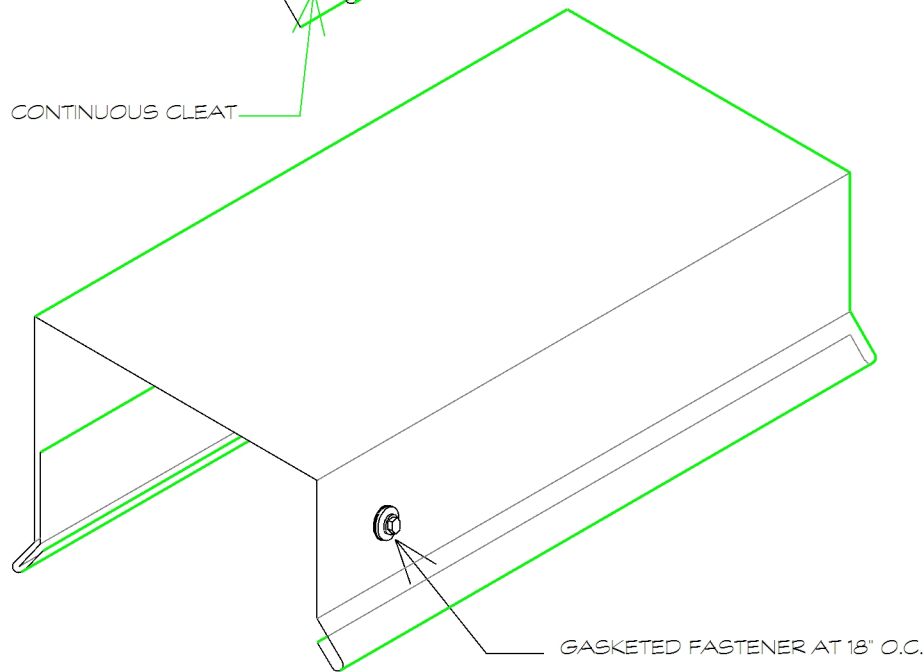


FRONT FACE

APPROPRIATE
FASTENER
AT 6" O.C.

CONTINUOUS CLEAT



BACK FACE

GASKETED FASTENER AT 18" O.C.

COPING WITH DRIP AND FRONT FACE CLEAT

NOTES:

1. ROOF MEMBRANE, ASSOCIATED FLASHINGS AND METAL JOINERY NOT SHOWN FOR CLARITY
2. UPTO 8' FACE MIN. METAL THICKNESS 24 GA.
3. 8' TO 10' FACE MIN. METAL THICKNESS 22 GA.
4. DOUBLE "S" CLEAT, SINGLE "S" LOCK OR STANDING SEAM

QCA Building Envelope Ltd. 1295 Pembina Highway Winnipeg, MB R3T 2B0 Tel: (204) 371-0996	
Project	WFPS Firehall # 4 150 Osborne Street, Winnipeg MB
Client	City of Winnipeg
Dwg. No.	324-2020_Drawing_A4-RO
Date	March 18, 2020 Scale N.T.S
<small>This drawing is the property of QCA Building Envelope Ltd. It may not be reproduced without consent.</small>	