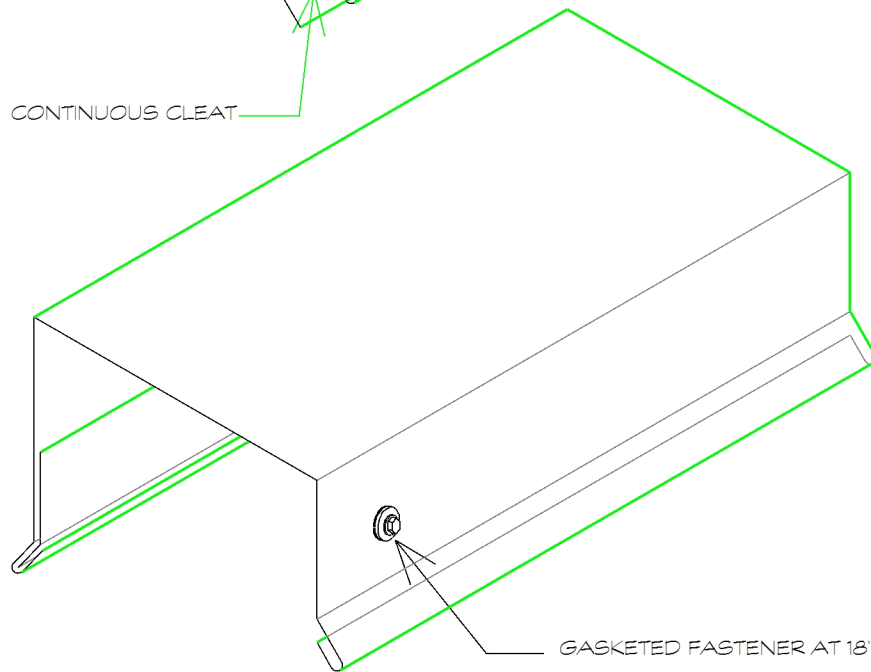


CONTINUOUS CLEAT

APPROPRIATE
FASTENER
AT 6" O.C.

FRONT FACE



GASKETED FASTENER AT 18" O.C.

BACK FACE

COPING WITH DRIP AND FRONT FACE CLEAT

NOTES:

1. ROOF MEMBRANE, ASSOCIATED FLASHINGS AND METAL JOINERY NOT SHOWN FOR CLARITY
2. UPTO 8" FACE MIN. METAL THICKNESS 24 GA.
3. 8" TO 10" FACE MIN. METAL THICKNESS 22 GA.
4. DOUBLE "S" CLEAT, SINGLE "S" LOCK OR STANDING SEAM

QCA Building Envelope Ltd.

1295 Pembina Highway Winnipeg, MB R3T 2B0
Tel: (204) 371-0996

Project **WFPS Firehall # 25**
701 Day Street, Winnipeg MB

Client City of Winnipeg

Dwg. No. 321-2020_Drawing_A2-R0

Date April 27, 2020 Scale N.T.S.

This drawing is the property of QCA Building Envelope Ltd.
It may not be reproduced without consent.