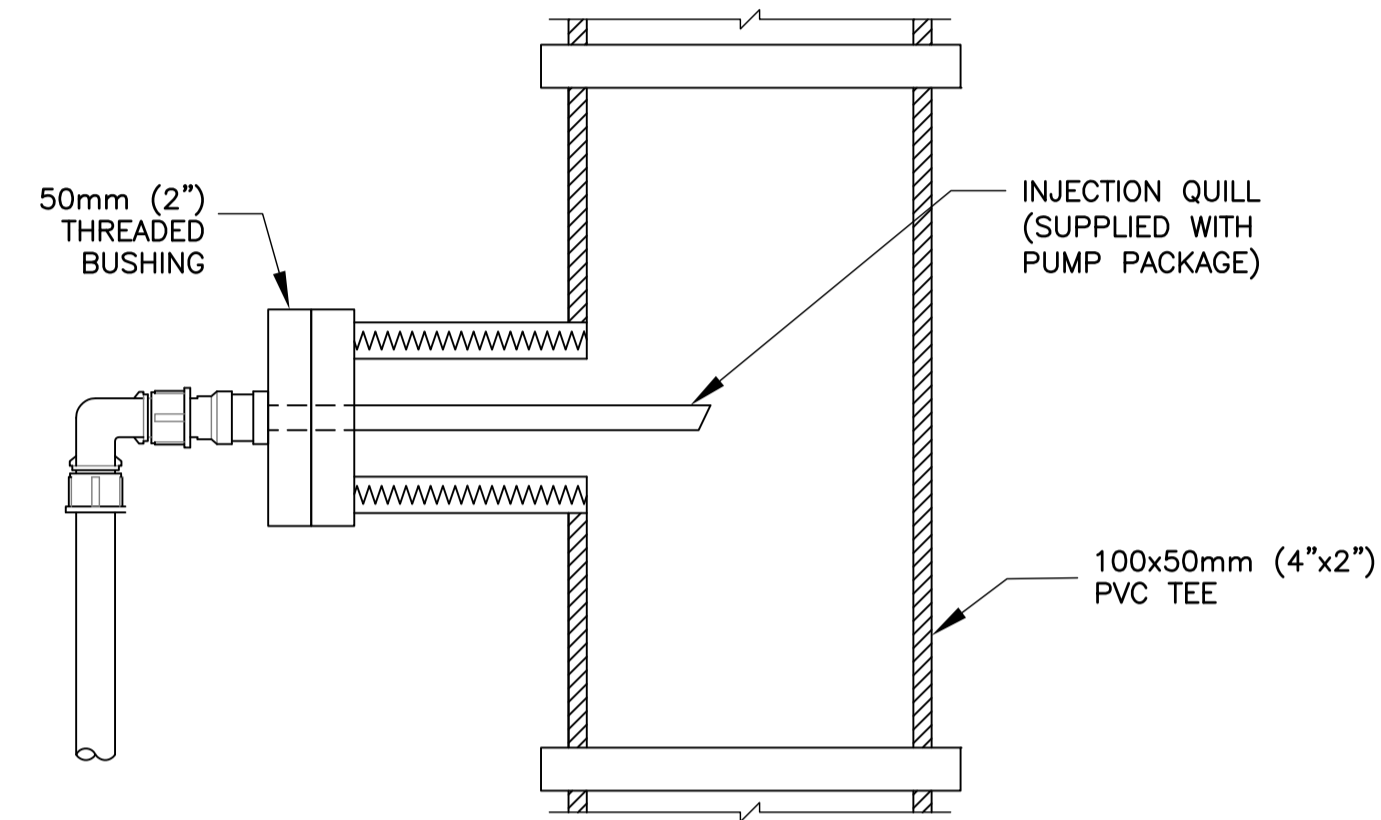


1 DETAIL - PUMP/TANK CONNECTION
0650Y-M0001 SCALE: N.T.S.



2 DETAIL - CHEMICAL DISCHARGE FOR P-Y101
0650Y-M0001 SCALE: N.T.S.

GENERAL NOTES:

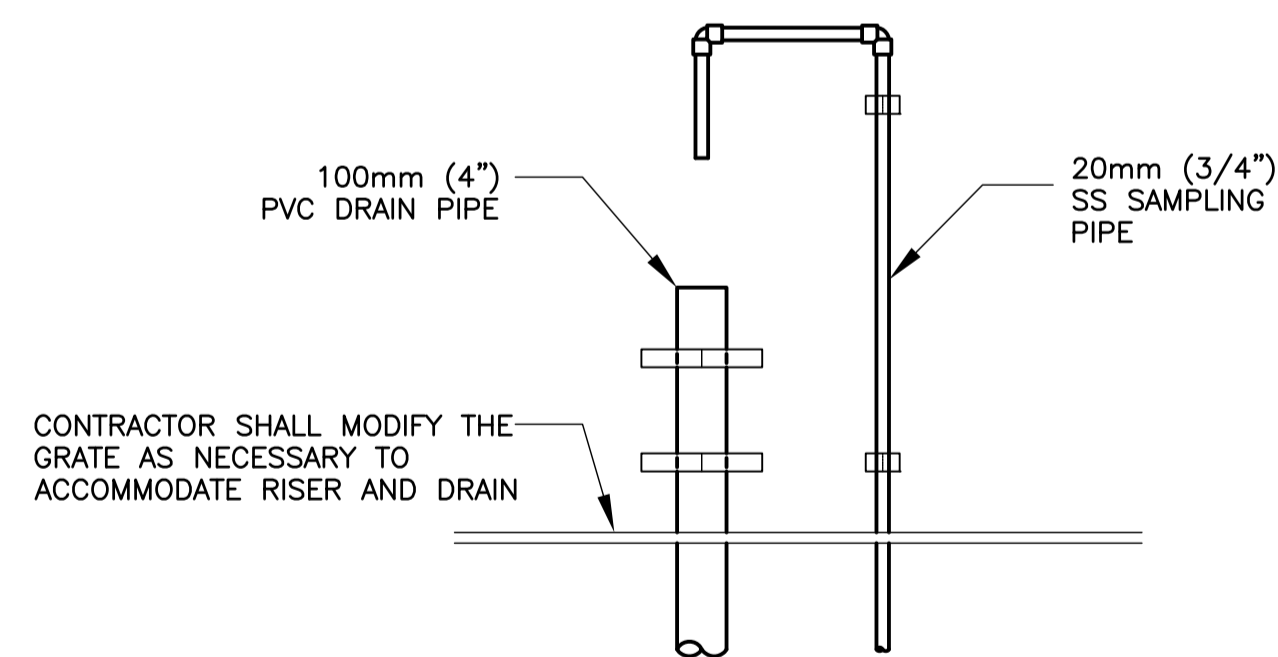
- SUPPLY ALL EQUIPMENT AND MATERIALS SPECIFIED OR APPROVED EQUALS IN ACCORDANCE WITH B7.
- FIELD VERIFY ALL DIMENSIONS AND FIELD ROUTE TUBING.
- THE DE-CHLORINATION SYSTEM IS DESIGNED TO BE ABLE TO AUTOMATICALLY DECHLORINATE A MAXIMUM DRAINAGE FLOW RATE OF 23L/S AT 2PPM CHLORINE UTILIZING THE EXISTING LIFT PUMP P-Y1 AND THE NEW CHEMICAL DOSING PUMP P-Y101.
- THE DE-CHLORINATION SYSTEM IS DESIGNED TO BE ABLE TO AUTOMATICALLY DECHLORINATE A MAXIMUM DRAINAGE FLOW RATE OF 300L/S AT 2PPM CHLORINE UTILIZING THE EXISTING LIFT PUMP P-Y2 AND THE NEW CHEMICAL DOSING PUMP P-Y102.
- FOR ACCESS TO SUCTION AND DISCHARGE CHAMBERS, LIFT PUMPS P-Y1 AND P-Y2 MUST BE SHUT-OFF, LOCKED-OUT/TAGGED-OUT, AND TEMPORARY DRAINAGE PUMP PROVIDED (MAX. 5-DAYS).

KEYNOTES:

- 1** CHEMICAL DOSING SYSTEM INSTALLATION:
- INSTALL NEW CHEMICAL DOSING PUMP SKID (P-Y101 AND P-Y102) ON THE WEST INTERIOR WALL OF THE DRAINAGE LIFT STATION AS PER THE MANUFACTURER'S INSTALLATION MANUAL (SEE DETAIL 1). SECURE THE NEW CHEMICAL DOSING PUMP PACKAGE TO THE WALL OF THE DRAINAGE LIFT STATION USING A FIBREGLASS CHANNEL FRAMING SYSTEM, SECURED TO THE WALL USING SUITABLY SIZED CORROSION RESISTANT CONCRETE ANCHOR SCREWS.
 - INSTALL NEW 12MM FEP TUBING AS SHOWN FROM THE DISCHARGE OF EACH NEW CHEMICAL DOSING PUMP P-Y101 AND P-Y102 (SEE DETAIL 1). SECURE THE TUBING TO THE WALL WITH SUITABLE MOUNTS.
 - THE NEW FEP TUBING ON THE DISCHARGE OF NEW CHEMICAL DOSING PUMPS P-Y101 TERMINATE INTO THE 100MM DISCHARGE LINE OF EXISTING LIFT PUMP P-Y1 THROUGH AN INJECTION QUILL (SEE DETAIL 2).

LEGEND:

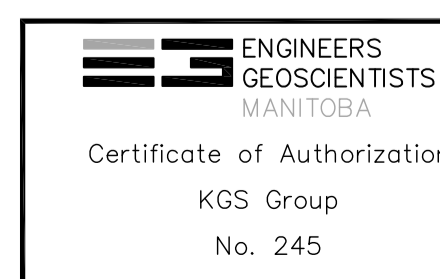
- EXISTING EQUIPMENT
- NEW EQUIPMENT



B SECTION - DRAIN TUBE
0650Y-M0001 SCALE: N.T.S.

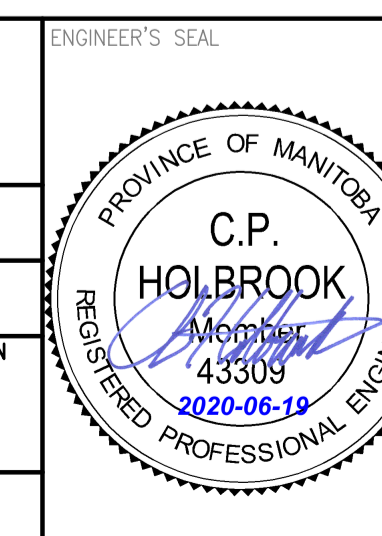
File Name: P:\Projects\2019\19-0107-005\DWG\Mech\19-0107-005_M03.dwg - Tab: M03 Plotted By: Dderoché 06/19/2020 [Fri 2:37pm]

10	-	-
9	-	-
8	-	-
7	-	-
6	-	-
5	-	-
4	-	-
3	-	-
2	1-0650Y-M0001-001	MECHANICAL-DRAINAGE LIFT STN.-EQPT. & PIPING-PLAN, SECTION & DETAILS
1	1-0650A-D0001-001	COVER SHEET
NO.	DRAWING NUMBER	REFERENCE DRAWING TITLE



B.M.	-
ELEV.	-
DESIGNED BY:	C. HOLBROOK
CHECKED BY:	R. CHEN
DRAWN BY:	J.F. SESE
APPROVED BY:	C. HOLBROOK
SCALE:	NTS
ISSUED FOR CONSTRUCTION BY:	DATE: 2020-06-18
DATE:	2020-06-18
CONSULTANT NO.:	19-0107-005_M03
NO.	ISSUED FOR CONSTRUCTION
REVISIONS	DATE
	DESIGN CHECK

KGS GROUP	
DESIGNED BY:	C. HOLBROOK
CHECKED BY:	R. CHEN
DRAWN BY:	J.F. SESE
APPROVED BY:	C. HOLBROOK
SCALE:	NTS
ISSUED FOR CONSTRUCTION BY:	DATE: 2020-06-18
DATE:	2020-06-18
CONSULTANT NO.:	19-0107-005_M03



THE CITY OF WINNIPEG WATER AND WASTE DEPARTMENT	
HURST PUMPING STATION STRUCTURAL REPAIRS AND DRAINAGE BUILDING UPGRADES MECHANICAL DRAINAGE LIFT STATION EQUIPMENT AND PIPING - PLAN, SECTION & DETAILS	
CITY DRAWING NUMBER	SHEET
1-0650Y-M0001	002
REV.	SIZE
0	A1