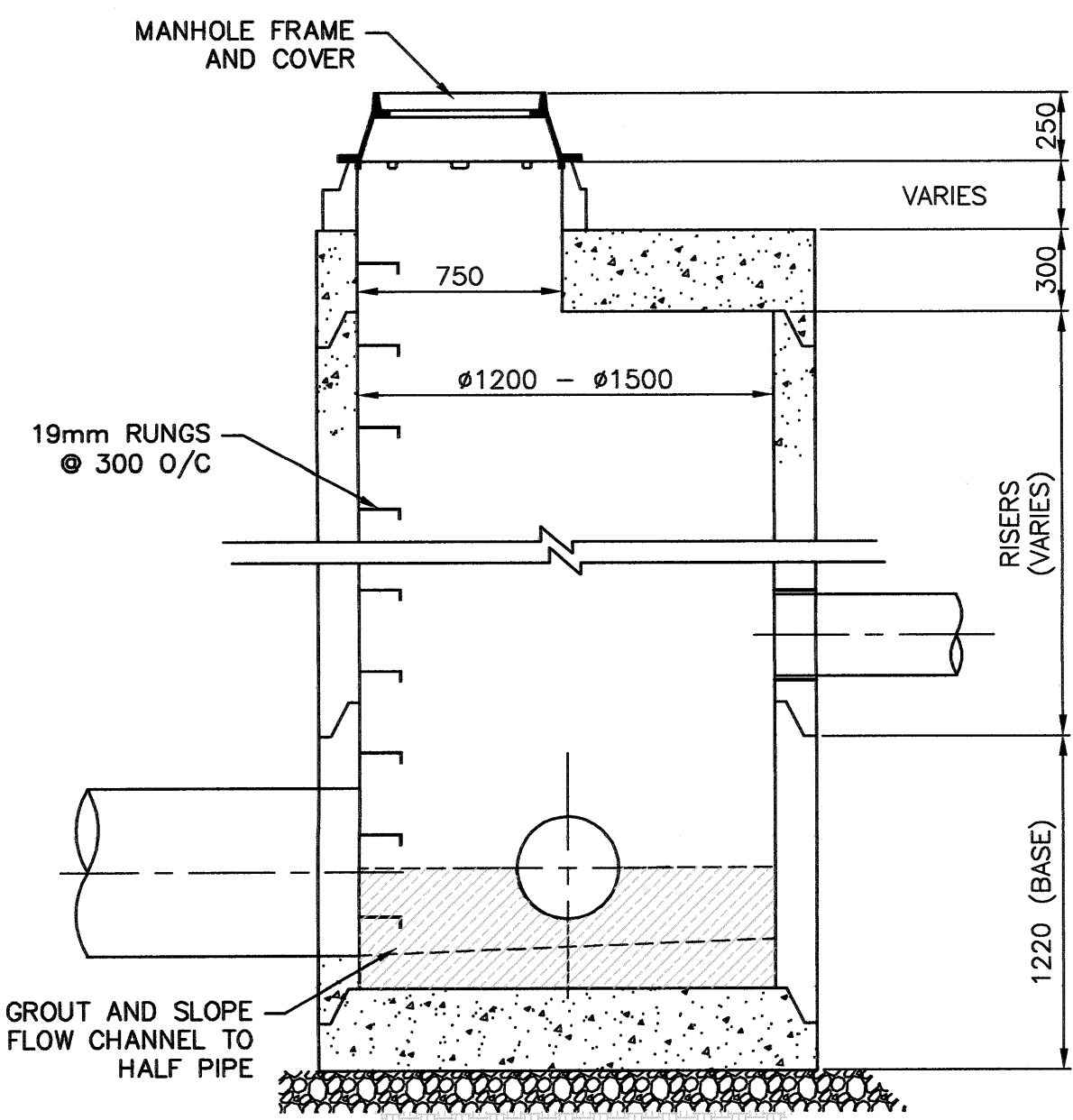


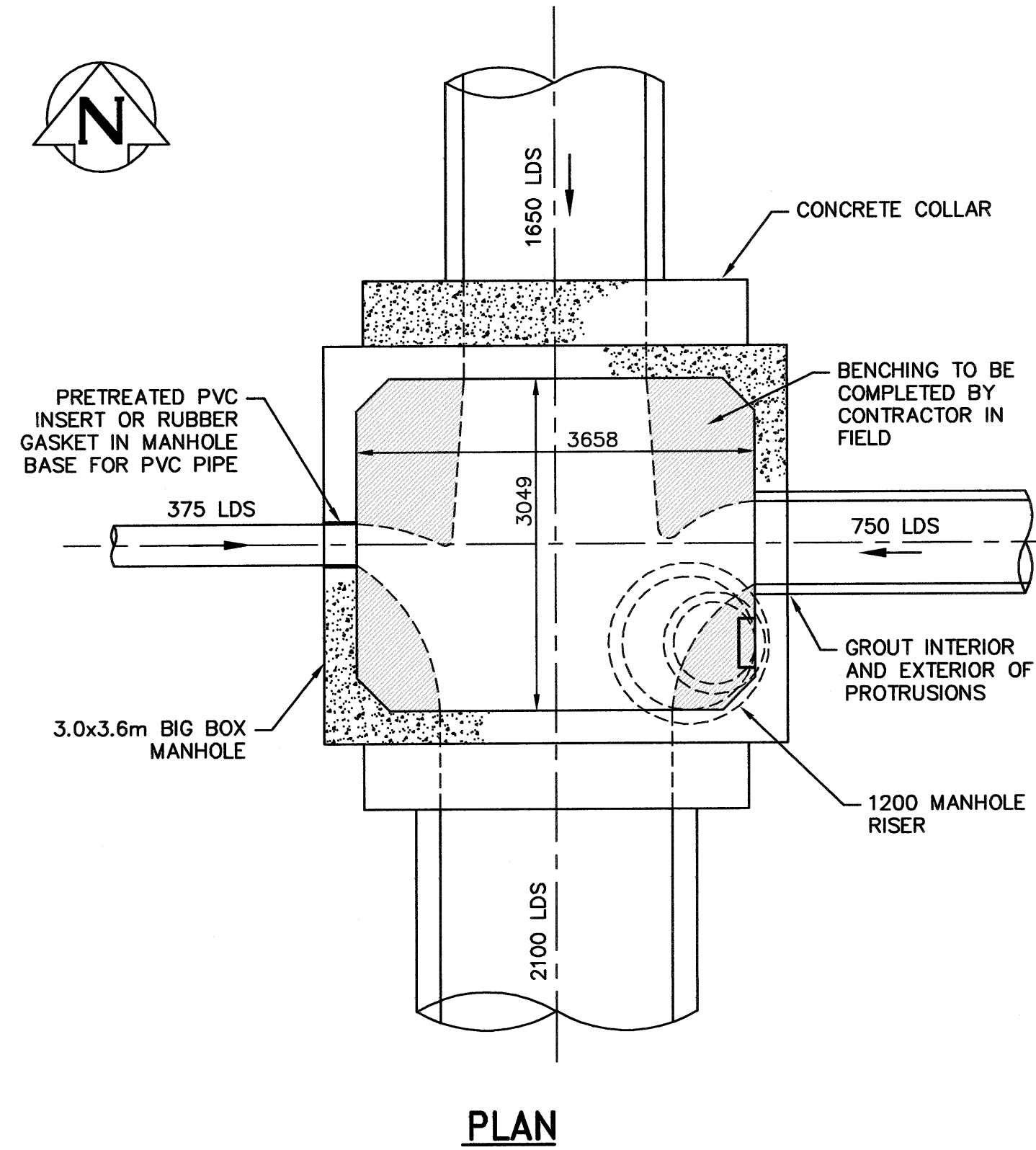
PLAN



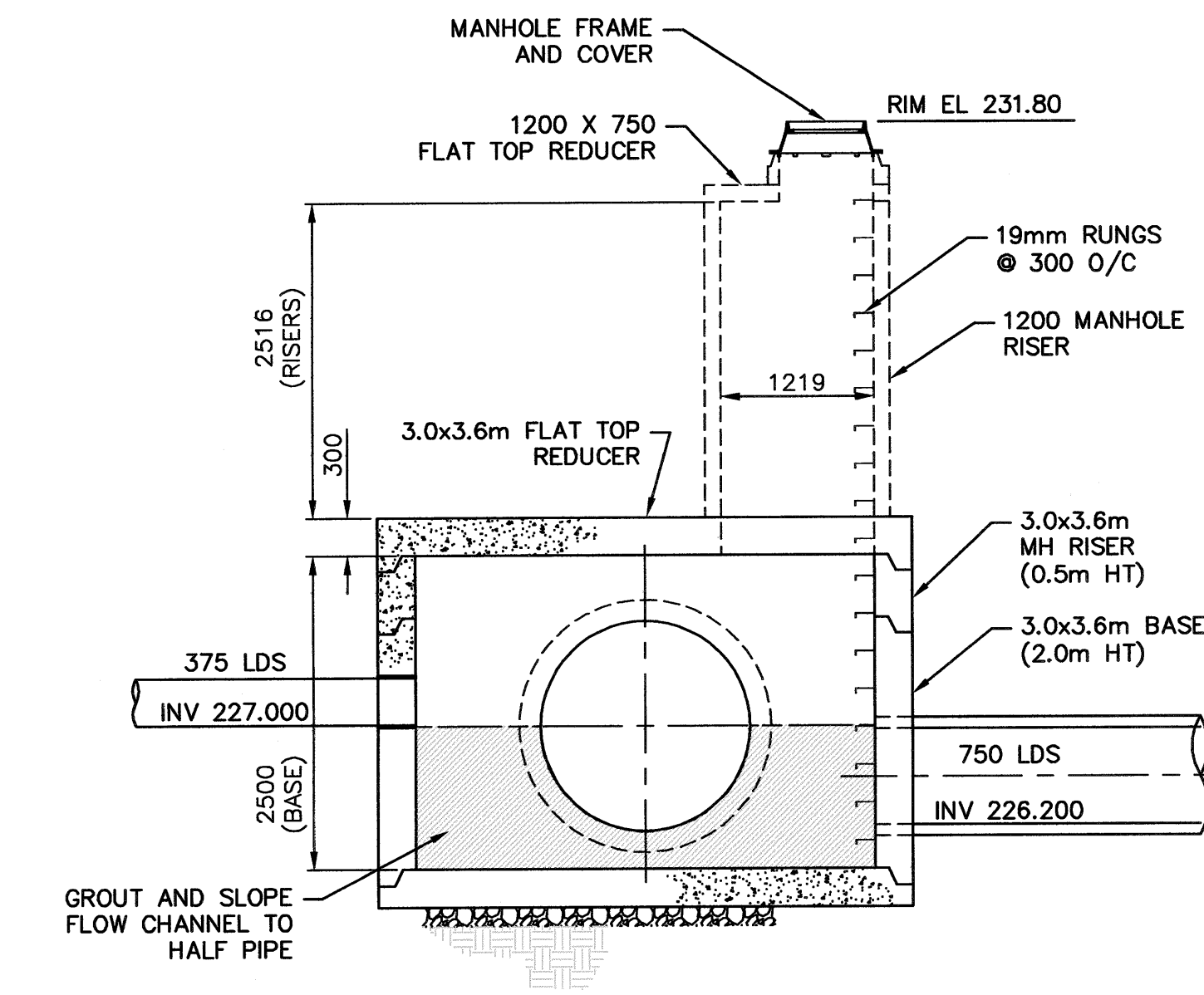
SECTION

NOTE:  
REFER TO PLAN/PROFILE DRAWINGS FOR ACTUAL PIPE SIZE,  
INVERTS AND MANHOLE ORIENTATION

1 TYPICAL Ø1200 - Ø1500 MANHOLE DETAILS  
1:25

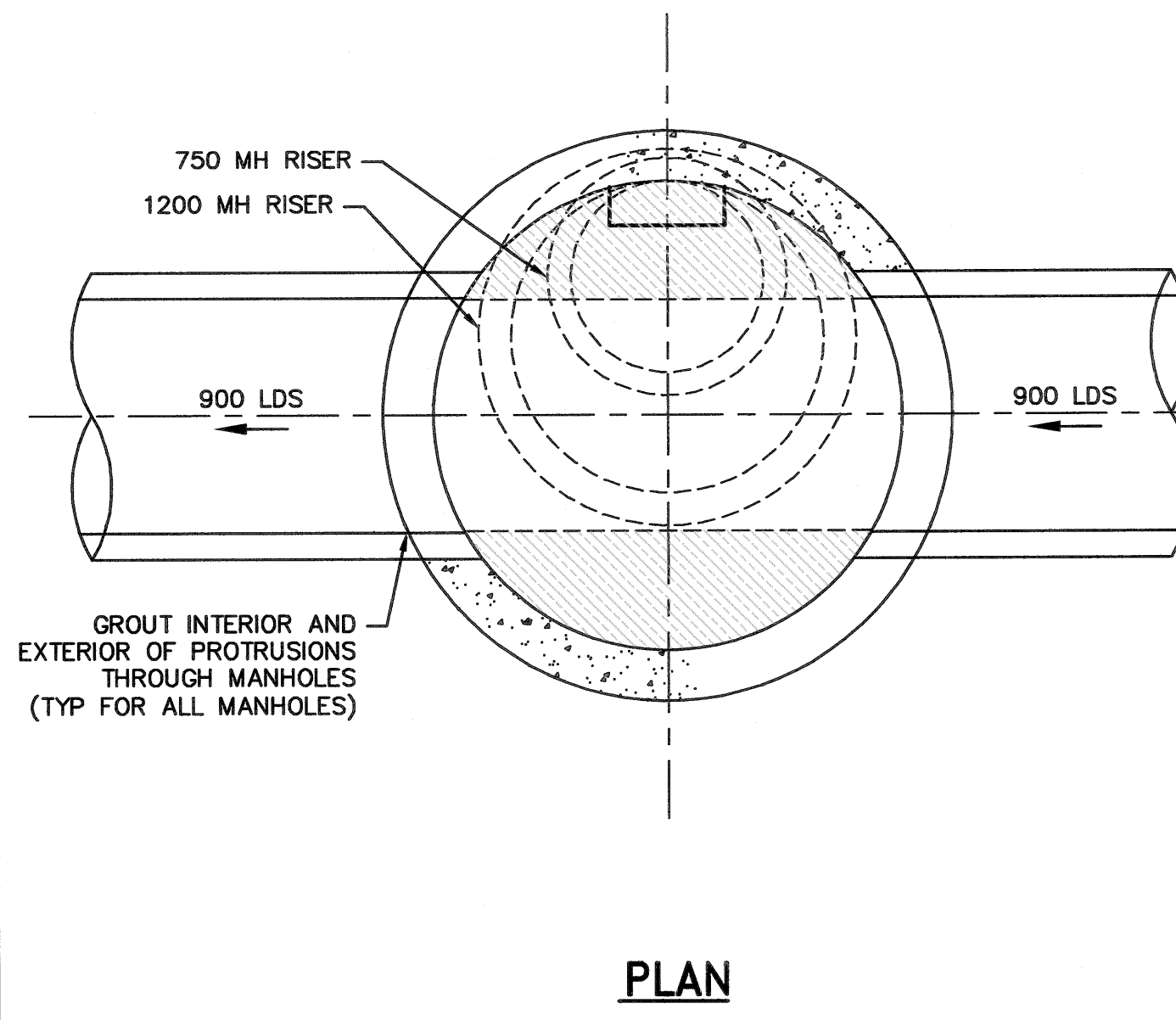


PLAN

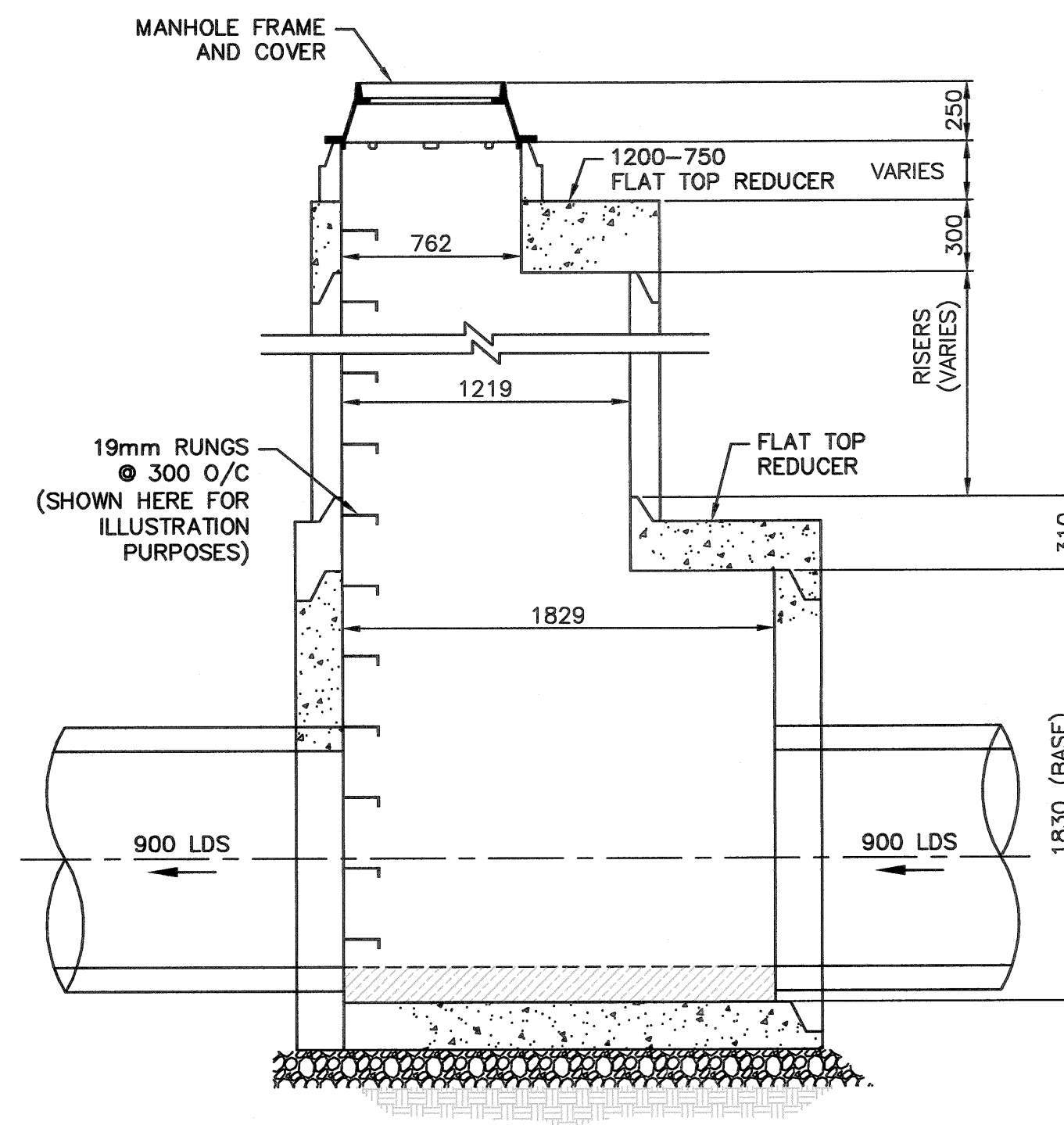


SECTION

2 BIG BOX MANHOLE MH-104 DETAILS  
1:50



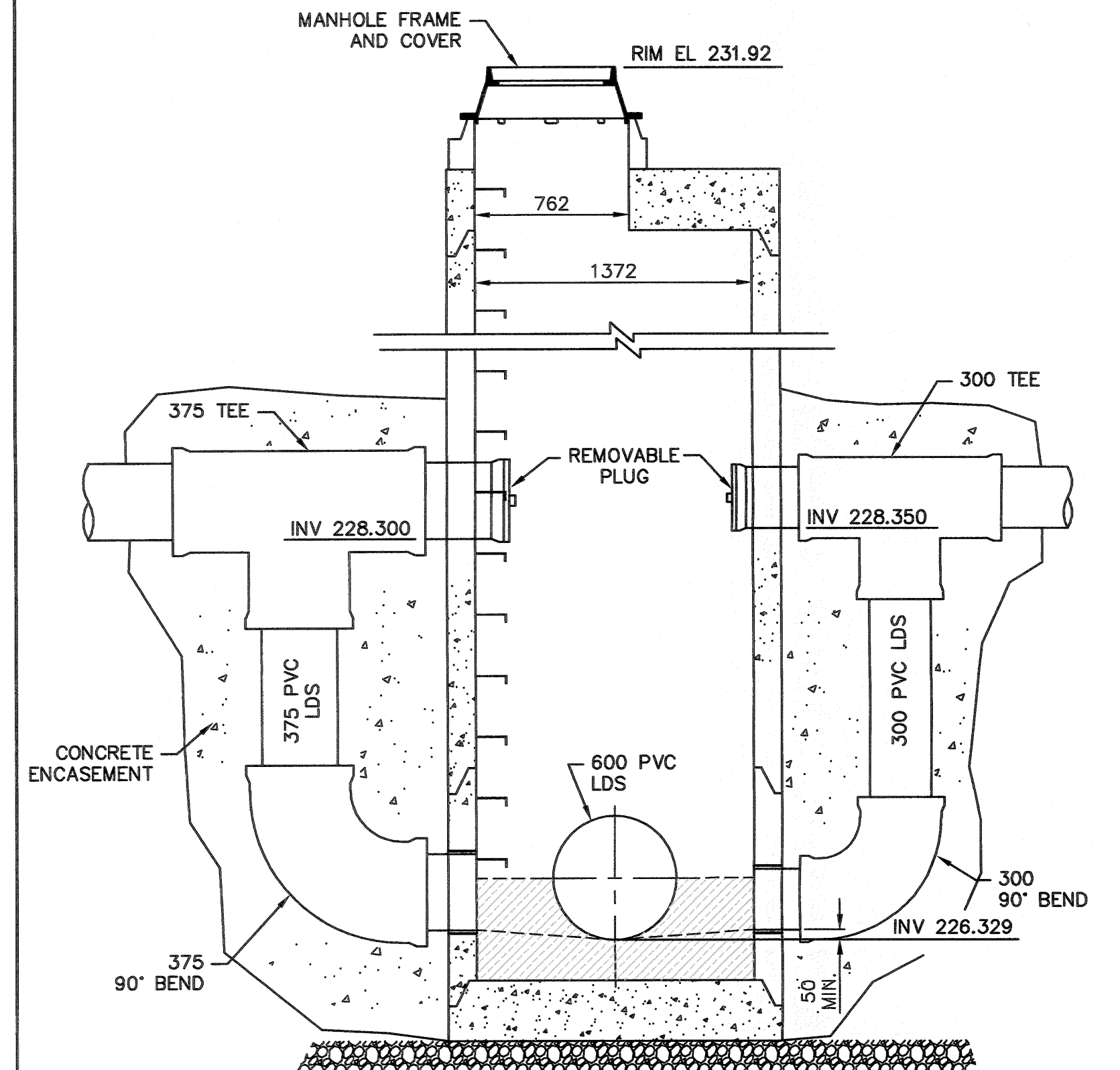
PLAN



SECTION

NOTE:  
REFER TO PLAN/PROFILE DRAWINGS FOR ACTUAL PIPE SIZE,  
INVERTS AND MANHOLE ORIENTATION

3 TYPICAL Ø1800 MANHOLE DETAILS  
1:25



- NOTES:
- DROP PIPE MATERIAL TO MATCH DIAMETER AND MATERIAL OF INCOMING PIPE.
  - CONCRETE ENCASUREMENT STRENGTH TO BE MIN. 20 MPa
  - PIPE TO BE SUPPORTED PRIOR TO BACKFILL TO PREVENT MOVEMENT AND FLOATATION.
  - DO NOT BACKFILL OVER CONCRETE WITHIN 24 HOURS AFTER PLACEMENT.

4 DROP MANHOLE MH-125 DETAILS  
1:25

C:\pwworkdir\ch2mhill\wbg\ecor\ez\d0445695\



LOCATION APPROVED  
UNDERGROUND STRUCTURES

SUPV. U/G STRUCTURES DATE COMMITTEE

NOTE:  
LOCATION OF UNDERGROUND STRUCTURES AS SHOWN ARE BASED ON THE BEST INFORMATION AVAILABLE BUT NO GUARANTEE IS GIVEN THAT ALL EXISTING UTILITIES ARE SHOWN OR THAT THE GIVEN LOCATIONS ARE EXACT. CONFIRMATION OF EXISTENCE AND EXACT LOCATION OF ALL SERVICES MUST BE OBTAINED FROM THE INDIVIDUAL UTILITIES BEFORE PROCEEDING WITH CONSTRUCTION.

NO.	REVISIONS	DATE	BY
0	ISSUED FOR TENDER	20/03/12	JBC

**Jacobs KGS GROUP**

DESIGNED BY MD  
DRAWN BY JBC  
HOR. SCALE: AS NOTED  
VERTICAL: -

CHECKED BY MD  
APPROVED BY *[Signature]*  
RELEASED FOR CONSTRUCTION  
DATE *[Signature]*



**THE CITY OF WINNIPEG WATER AND WASTE DEPARTMENT**

PROJECT TITLE  
COCKBURN AND CALROSSIE COMBINED SEWER RELIEF WORKS - CONTRACT 6A

CIVIL  
STANDARD DETAILS

CONSULTANT DRAWING NO.  
C-5002

SHEET OF  
14 14

COMPUTER FILE NAME  
C-5002.dwg

CITY DRAWING NUMBER  
LD-9672