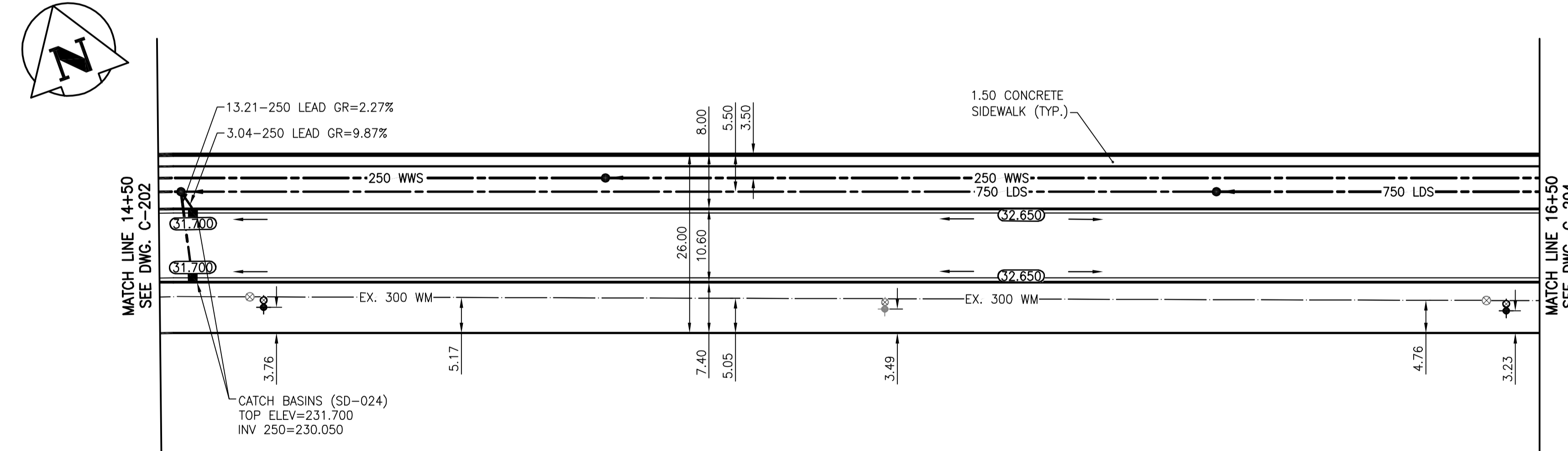
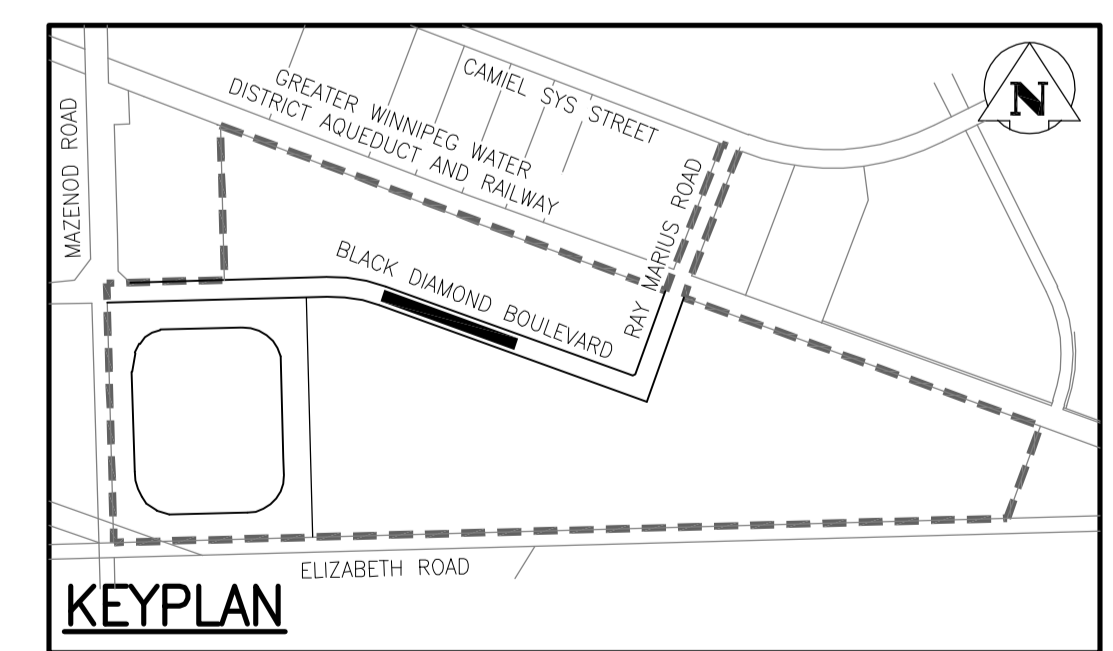
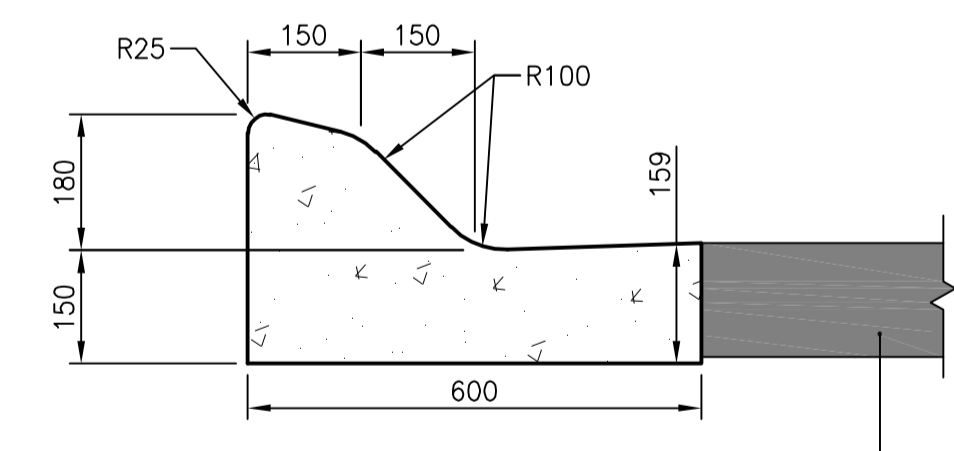
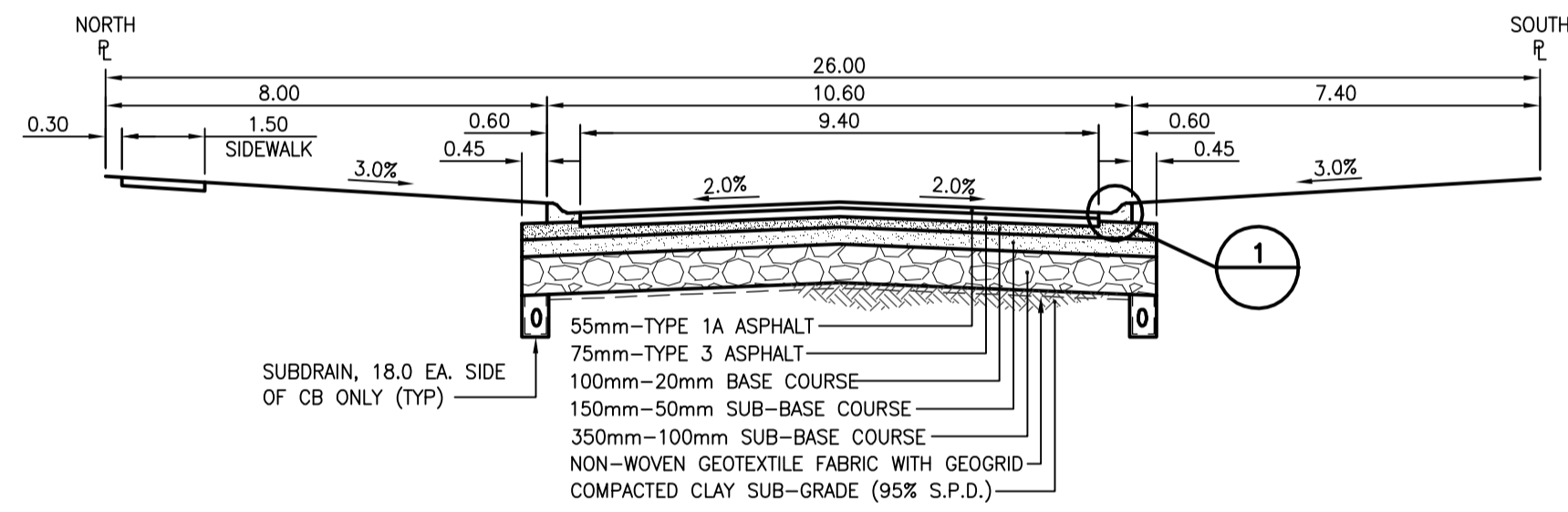


BLACK DIAMOND BOULEVARD



WARNING

IF POWER EQUIPMENT OR EXPLOSIVES ARE TO BE USED FOR EXCAVATION ON THIS PROJECT THE CONTRACTOR MUST:
 1) NOTIFY THE GAS COMPANY OF THE PROPOSED LOCATION OF EXCAVATION.
 2) TAKE PRECAUTION TO AVOID DAMAGE TO GAS COMPANY INSTALLATIONS.
 SEE PROVINCIAL REGULATION 140/92 FOR DETAILS

METRIC

WHOLE NUMBERS INDICATE MILLIMETRES
 DECIMALIZED NUMBERS INDICATE METRES

NOTES:

- CHAINAGES SHOWN ARE ALONG CENTERLINE OF ROAD.
- SUBDRAINS 18.00m EACH SIDE OF CATCH BASINS (SD-245).
- ALL PIPE UNDER EXISTING AND FUTURE PAVEMENT ARE INSTALLED BY TRENCHLESS METHODS.
- ALL LONG ASSEMBLY HYDRANTS (SD-006)
 ALL SHORT ASSEMBLY HYDRANTS (SD-007).
- ALL EXISTING WATERMAIN HYDRANT TEES ARE IPEX AWWA C900.

150 WM		150 WM		HYDRO		150 WM		WATERMAIN		150 WM	
+	HYDRANT	+	+	---	M.T.S.	---	+	+	+	+	+
+	VALVE	+	+	---	CONCRETE	---	+	+	+	+	+
---	300 LDS	---	---	---	ASPHALT	---	---	---	---	---	---
---	250 WWS	---	---	---	SIDEWALK	---	---	---	---	---	---
---	MANHOLE	---	---	---	PROPERTY LINE	---	---	---	---	---	---
---	CATCH BASIN	---	---	---	SURVEY BAR	---	---	---	---	---	---
---	CURB INLET	---	---	---	DITCH	---	---	---	---	---	---
---	JUNCTIONS	---	---	---	ROAD ELEVATION	---	---	---	---	---	---
---	CULVERT	---	---	---		---	---	---	---	---	---
---	GAS	---	---	---		---	---	---	---	---	---
---	EXISTING	---	---	---	LEGEND-PLAN	---	---	---	---	---	---
---	LEGEND-PLAN	---	---	---	PROPOSED	---	---	---	---	---	---
---	PROPOSED	---	---	---	EXISTING	---	---	---	---	---	---
---	EXISTING	---	---	---	LEGEND-PROFILE	---	---	---	---	---	---
---	LEGEND-PROFILE	---	---	---	PROPOSED	---	---	---	---	---	---
---	PROPOSED	---	---	---	EXISTING	---	---	---	---	---	---
---	EXISTING	---	---	---	LEGEND-PROFILE	---	---	---	---	---	---

LOCATION APPROVED UNDERGROUND STRUCTURES

SUPV. U/G STRUCTURES COMMITTEE DATE

NOTE: LOCATION OF UNDERGROUND STRUCTURES AS SHOWN ARE BASED ON THE BEST INFORMATION AVAILABLE BUT NO GUARANTEE IS GIVEN THAT ALL EXISTING UTILITIES ARE SHOWN OR THAT THE GIVEN LOCATIONS ARE EXACT. CONFIRMATION OF EXISTENCE AND EXACT LOCATION OF ALL SERVICES MUST BE OBTAINED FROM THE INDIVIDUAL UTILITIES BEFORE PROCEEDING WITH CONSTRUCTION.

B.M. 32-005	ELEV. 231.677		
1	SUBMITTED FOR CITY REVIEW	20.03.27	P.J.S.
NO.	REVISIONS	YYMMDD	BY

Stantec
 500 - 311 Portage Avenue, Winnipeg M8 Canada R3B 2B9
 Tel. 204.489.5900 Fax. 204.453.9012 www.stantec.com

DESIGNED BY: P.J.S. CHECKED BY: J.D.K.
 DRAWN BY: L.D. APPROVED BY: P.J.S.

HOR. SCALE: 1:500
 VERTICAL: 1:50

RELEASED FOR CONSTRUCTION: DATE

1 2020 .02 .18

ENGINEERS GEOSCIENTISTS MANITOBA
 Certificate of Authorization
 Stantec Consulting Ltd.
 No. 1301

ENGINEER'S SEAL
 PROVINCE OF MANITOBA
P.J. SUNDERLAND
 REGISTERED PROFESSIONAL ENGINEER

THE CITY OF WINNIPEG

Winnipeg

ST. BONIFACE INDUSTRIAL PARK - PH 2 - STAGE 2&3

BLACK DIAMOND BOULEVARD
 350m E OF MAZENOD ROAD TO
 550m E OF MAZENOD ROAD

SHEET 6 OF 11
 CAD FILE DRAWING NUMBER 09351C-201-PH2-2&3.DWG
 CITY DRAWING NUMBER

VA:1680 d:\h\1680351\0300_dfm\h\1680351_0302_sheret_files\02_civil\phases_2-stage_2&3 (2017)03\09351c-201_ph2-2&3.dwg
 2020/03/26 4:04 PM By: davek, Labonde