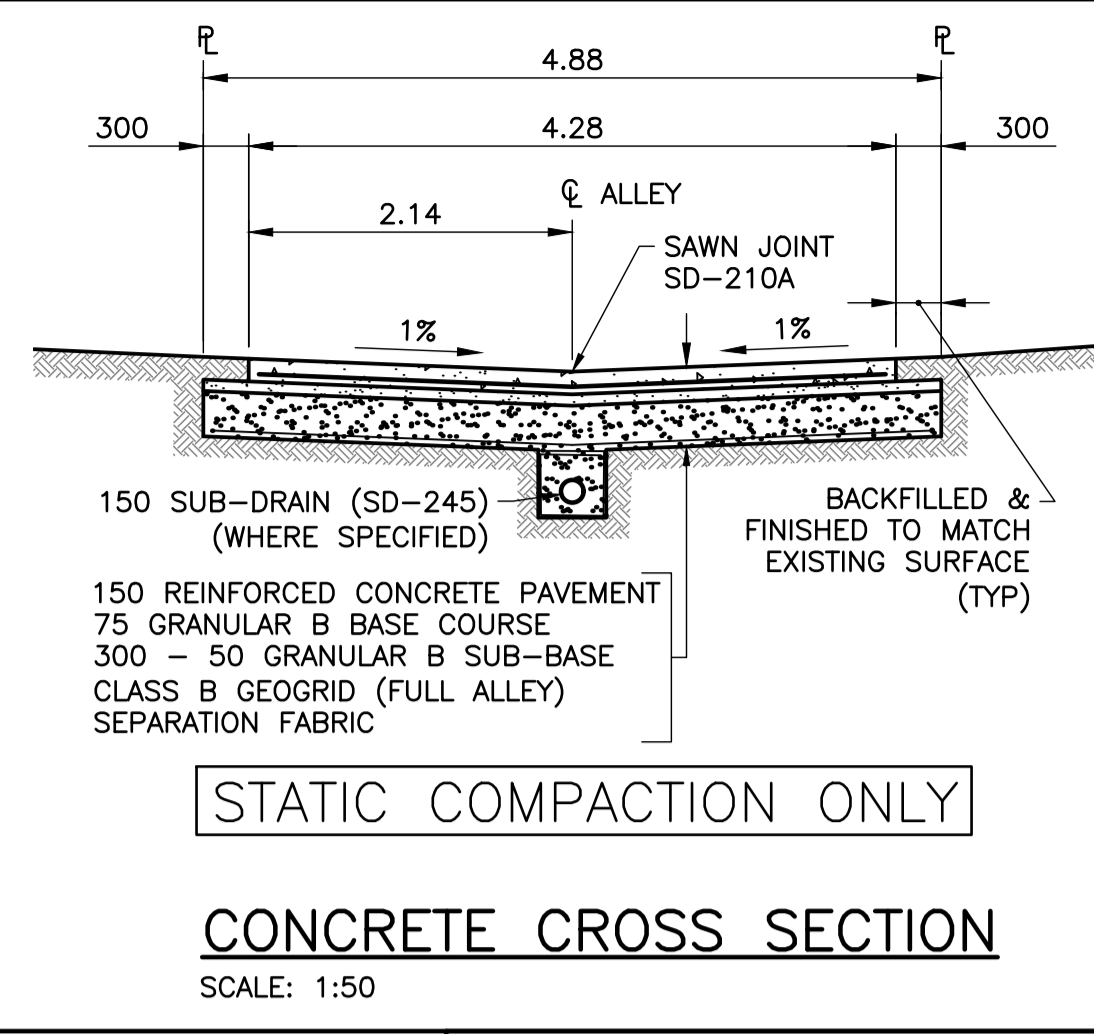
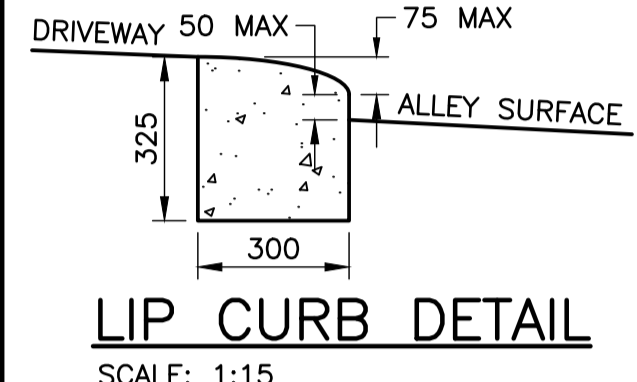


**ALLEY PAVEMENT PROFILE**  
SCALE: 1:250 HOR 1:10 VER



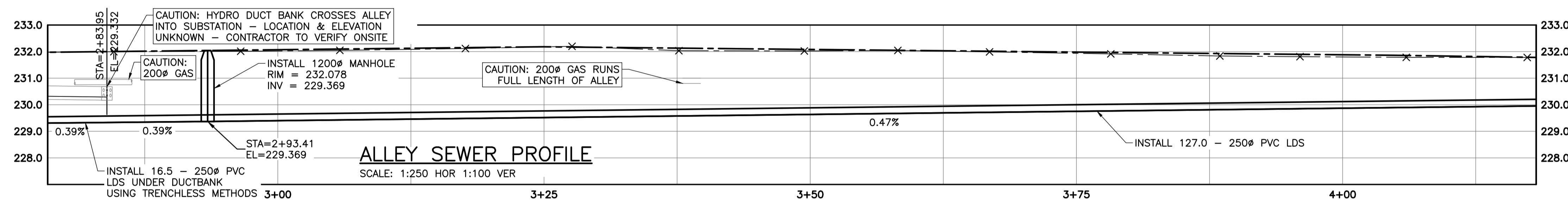
**CONCRETE CROSS SECTION**  
SCALE: 1:50

**PROPERTY LIMITS DELINEATION**  
DELINEATION OF PROPERTY LIMITS AS SHOWN ON THIS DWG DOES NOT REPRESENT A "LEGAL SURVEY". KGS GROUP MAKES NO REPRESENTATION OR WARRANTY AS TO THE ACCURACY OF PROPERTY LIMITS DELINEATED ON THIS DWG, NOR ON THE DIMENSIONAL ACCURACY OF DWG FEATURES RELATIVE TO THOSE PROPERTY LIMITS.

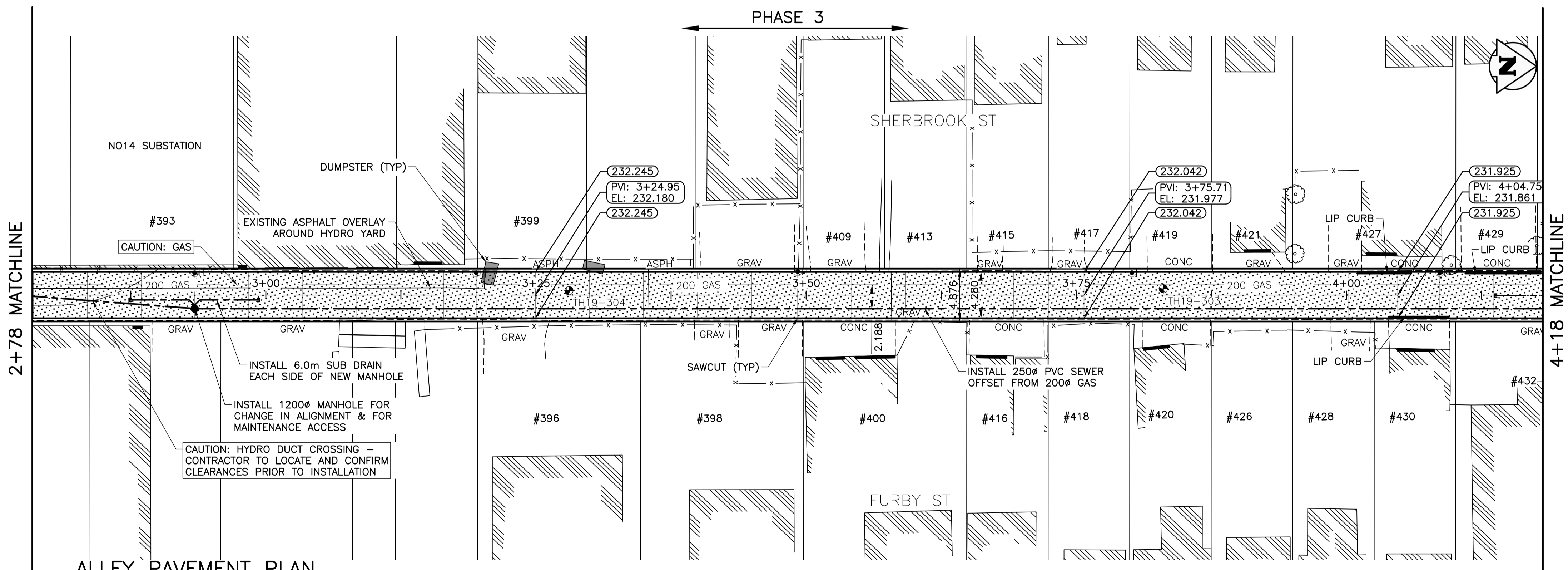


**LIP CURB DETAIL**  
SCALE: 1:15

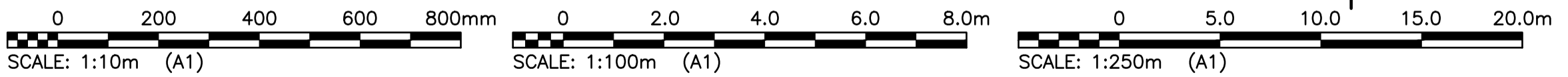
- NOTES**
- STATION CHAINAGE IS BASED ON CENTERLINE OF ALLEY RIGHT OF WAY.
  - ALLEY TO BE CONSTRUCTED IN PHASES AS SHOWN.
  - REGRADE EXISTING PRIVATE SIDEWALKS, APPROACHES & REAR OR SIDEYARDS AS DIRECTED.
  - INSTALLATION OF LIP CURBS AND THEIR EXTENTS TO BE DETERMINED BY THE CONTRACT ADMINISTRATOR ON SITE.
  - CONCRETE APPROACH RENEWALS TO BE REINFORCED IN ACCORDANCE WITH CW-3230, CW-3310, & SD-237.
  - INSTALL MODIFIED BARRIER CURB AT ALL ALLEY APPROACH RADII (SD-203B).
  - ALL EXISTING TREES TO BE PROTECTED THROUGHOUT CONSTRUCTION UNLESS OTHERWISE NOTED.
  - CONTACT THE CITY OF WINNIPEG GEOMATICS BRANCH IN ADVANCE OF CONSTRUCTION TO COORDINATE MONUMENT PROTECTION SERVICES (204)-918-1360.
  - CONFIRM THE LOCATION OF ALL UTILITIES PRIOR TO COMMENCING CONSTRUCTION.
  - LIGHT STANDARDS AND HYDRO POLES MAY REQUIRE TEMPORARY SUPPORT DURING CONSTRUCTION AT THE CONTRACTOR'S EXPENSE.
  - ISOLATE ALL POLES, BASES AND PILES WITHIN ALLEY RIGHT OF WAY (SD-228C).
  - NO VIBRATORY COMPACTION PERMITTED WITHIN 1.0M OF GAS MAINS OR DUCT BANKS.
  - NO WORKS, INCLUDING CONCRETE CUTTING OR BREAKING, TO BE UNDERTAKEN NEAR GAS LINES OR DUCT BANKS UNTIL DEPTH OF COVER IS DETERMINED AND A MANITOBA HYDRO SAFETY WATCH REPRESENTATIVE IS ON SITE.
  - PROVIDE SEWER INSPECTION FOR ALL NEW SEWER PIPE INSTALLATION, POINT REPAIRS & ABANDONMENTS.
  - ALL CONCRETE JOINTING TO BE AS INDICATED BY THE CONTRACT ADMINISTRATOR ON SITE. CRITICAL JOINT LOCATIONS WILL BE LOCATED AT EVERY GRADE BREAK, STREET LIGHT OR HYDRO POLE ISOLATION, UNDERGROUND STRUCTURE ISOLATION, AND ANY INTERSECTING ALLEY. GENERAL JOINT SPACING REQUIREMENTS ARE AS INDICATED ON SD-219.
  - SEE DETAILS ON SHEET 12 FOR AQUEDUCT, FEEDERMAIN AND DUCT BANK CROSSINGS.



**ALLEY SEWER PROFILE**  
SCALE: 1:250 HOR 1:100 VER



**ALLEY PAVEMENT PLAN**  
SCALE: 1:250 HOR



**METRIC**  
WHOLE NUMBERS INDICATE MILLIMETRES  
DECIMAL NUMBERS INDICATE METRES

**WARNING**

- NOTIFY THE GAS COMPANY OF THE PROPOSED LOCATION OF EXCAVATION.
- TAKE PRECAUTION TO AVOID DAMAGE TO GAS COMPANY INSTALLATIONS.
- SEE PROVINCIAL REGULATION 210/72 FOR DETAILS.

300 LDS	LAND DRAINAGE SEWER	300 LDS	- - - - -	FENCE			
250 WWS	WASTE WATER SEWER	250 WWS	+	TEST HOLE			
---	GAS	---	+	GUY WIRE			
---	HYDRO	---	+	LIGHT STANDARD			
---	M.T.S.	---	+	BACK OF CURB			
150 WM	WATER MAIN	150 WM	---	CONCRETE	XXXX	---	---
+	HYDRANT	+	---	ASPHALT	XXXX	---	---
+	VALVE	+	---	SIDEWALK	XXXX	---	---
+	MANHOLE	+	---	PROPERTY LINE	XXXX	---	---
+	CATCH BASIN	+	---	SURVEY BAR	XXXX	---	---
+	CURB INLET	+	---	GEODETIC BENCHMARK	XXXX	---	---
+	POLES	+	---	ELEVATION	XXXX	---	---
---	EXISTING	---	---	LEGEND-PLAN	---	---	---
---	PROPOSED	---	---	LEGEND-PROFILE	---	---	---

**LOCATION APPROVED UNDERGROUND STRUCTURES**

B.M. KGS\_BASE  
ELEV. 249.221

DESIGNED BY: JB  
CHECKED BY: CR

DRAWN BY: JLF  
APPROVED BY: CR

HOR. SCALE: 1:250  
VERTICAL: VARIES

ISSUED FOR TENDER: 20/03/18  
DATE: 2019-02-15

NO. REVISIONS: 0

**KGS GROUP**

ENGINEER'S SEAL  
PROVINCE OF MANITOBA  
AARON ROSCOE  
REGISTERED PROFESSIONAL ENGINEER  
14869  
2020-03-18

CONSULTANT DRAWING NO. **C303**

**THE CITY OF WINNIPEG**  
PUBLIC WORKS DEPARTMENT  
ENGINEERING DIVISION

PROJECT TITLE: **2019 ALLEY RENEWALS AND LOCAL IMPROVEMENT ALLEYS SHERBROOK ST/FURBY ST PORTAGE AVE TO ELLICE AVE STA 2+78 TO STA 4+18**

SHEET **09** OF **24**

COMPUTER FILE NAME: **18-0107-017\_CALL**

CITY DRAWING NUMBER: **---**

File: B:\Projects\2018\18-0107-017\DWG\Mun\18-0107-017\_CALL - TabC303 Plotted By: glowen 20/03/18 [Wed 8:50am]  
 At: C:\Users\glowen\OneDrive\Documents\18-0107-017\DWG\Mun\18-0107-017\_CALL - TabC303.rvt SCALE: 1:1