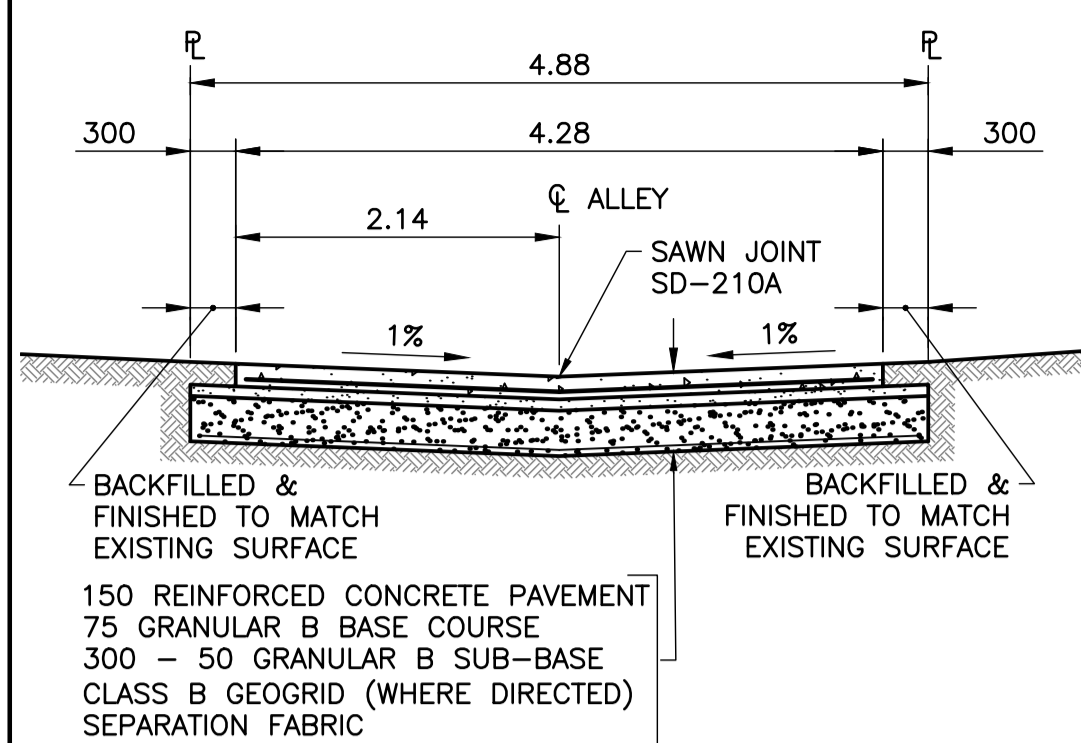
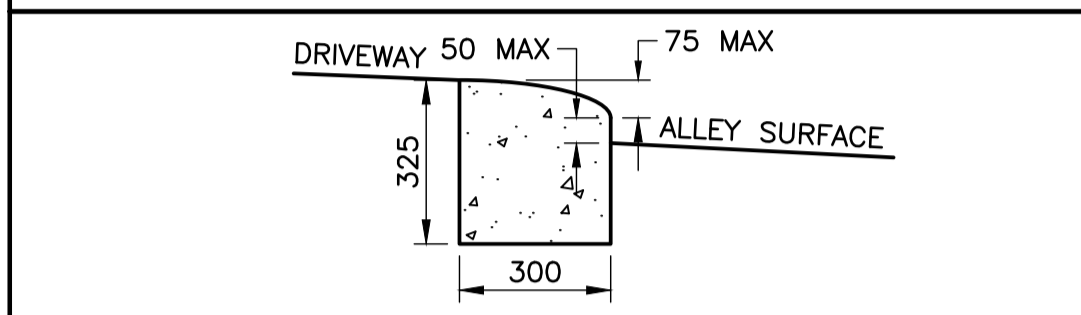


**ALLEY PAVEMENT PROFILE**  
SCALE: 1:250 HOR 1:10 VER

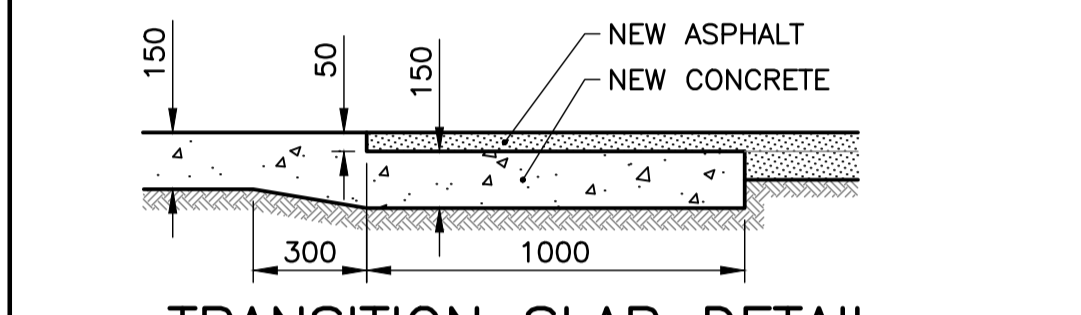
- NOTES**
- STATION CHAINAGE IS BASED ON CENTERLINE OF ALLEY RIGHT OF WAY.
  - ALLEY TO BE CONSTRUCTED IN PHASES AS SHOWN.
  - REGRADE EXISTING PRIVATE SIDEWALKS, APPROACHES & REAR OR SIDEYARDS AS DIRECTED.
  - INSTALLATION OF LIP CURBS AND THEIR EXTENTS TO BE DETERMINED BY THE CONTRACT ADMINISTRATOR ON SITE.
  - CONCRETE APPROACH RENEWALS TO BE REINFORCED IN ACCORDANCE WITH CW-3230, CW-3310, & SD-237.
  - INSTALL MODIFIED BARRIER CURB AT ALL ALLEY APPROACH RADII (SD-203B).
  - ALL EXISTING TREES TO BE PROTECTED THROUGHOUT CONSTRUCTION UNLESS OTHERWISE NOTED.
  - CONTACT THE CITY OF WINNIPEG GEOMATICS BRANCH IN ADVANCE OF CONSTRUCTION TO COORDINATE MONUMENT PROTECTION SERVICES (204)-918-1360.
  - CONFIRM THE LOCATION OF ALL UTILITIES PRIOR TO COMMENCING CONSTRUCTION.
  - LIGHT STANDARDS AND HYDRO POLES MAY REQUIRE TEMPORARY SUPPORT DURING CONSTRUCTION AT THE CONTRACTOR'S EXPENSE.
  - ISOLATE ALL POLES, BASES AND PILES WITHIN ALLEY RIGHT OF WAY (SD-228C).
  - NO VIBRATORY COMPACTION PERMITTED WITHIN 1.0M OF GAS MAINS OR DUCT BANKS.
  - NO WORKS, INCLUDING CONCRETE CUTTING OR BREAKING, TO BE UNDERTAKEN NEAR GAS LINES OR DUCT BANKS UNTIL DEPTH OF COVER IS DETERMINED AND A MANITOBA HYDRO SAFETY WATCH REPRESENTATIVE IS ON SITE.
  - PROVIDE SEWER INSPECTION FOR ALL NEW SEWER PIPE INSTALLATION, POINT REPAIRS & ABANDONMENTS.
  - ALL CONCRETE JOINTING TO BE AS INDICATED BY THE CONTRACT ADMINISTRATOR ON SITE. CRITICAL JOINT LOCATIONS WILL BE LOCATED AT EVERY GRADE BREAK, STREET LIGHT OR HYDRO POLE ISOLATION, UNDERGROUND STRUCTURE ISOLATION, AND ANY INTERSECTING ALLEY. GENERAL JOINT SPACING REQUIREMENTS ARE AS INDICATED ON SD-219.



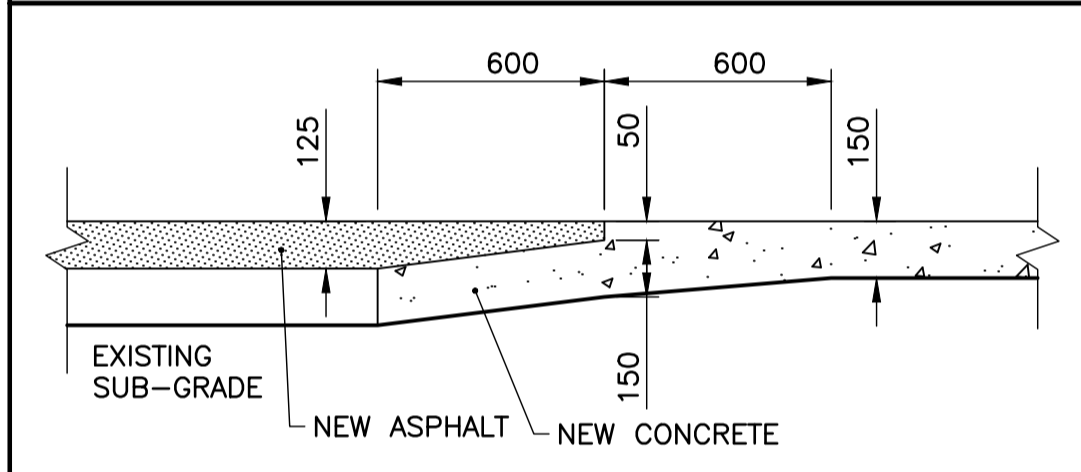
**CONCRETE CROSS SECTION**  
SCALE: 1:50



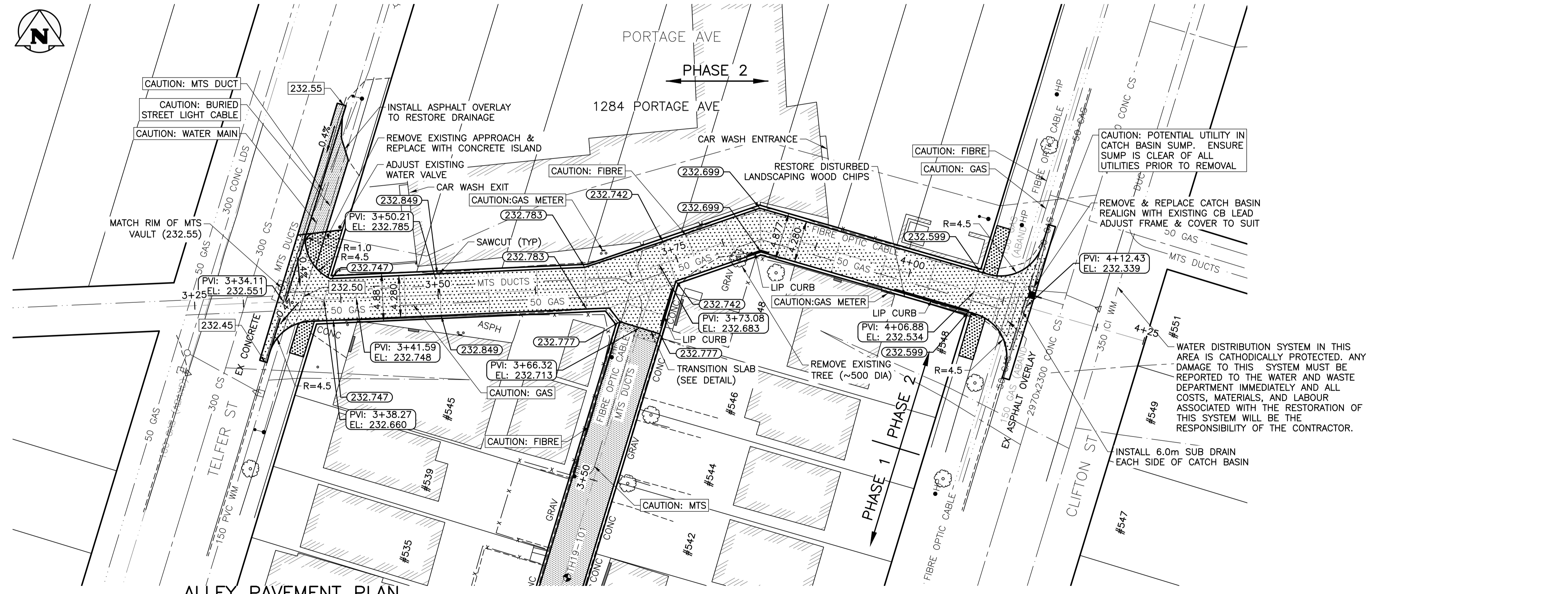
**LIP CURB DETAIL**  
SCALE: 1:15



**TRANSITION SLAB DETAIL**  
SCALE: 1:20



**TRANSITION SLAB**  
SCALE: 1:20



**ALLEY PAVEMENT PLAN**  
SCALE: 1:250 HOR

**PROPERTY LIMITS DELINEATION**

DELINEATION OF PROPERTY LIMITS AS SHOWN ON THIS DWG DOES NOT REPRESENT A "LEGAL SURVEY". KGS GROUP MAKES NO REPRESENTATION OR WARRANTY AS TO THE ACCURACY OF PROPERTY LIMITS DELINEATED ON THIS DWG, NOR ON THE DIMENSIONAL ACCURACY OF DWG FEATURES RELATIVE TO THOSE PROPERTY LIMITS.

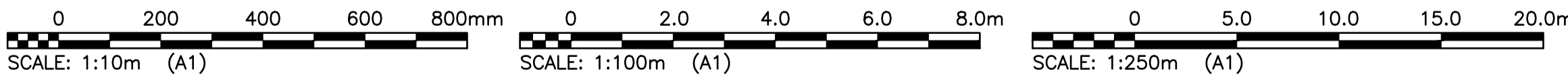
**METRIC**

WHOLE NUMBERS INDICATE MILLIMETRES  
DECIMALIZED NUMBERS INDICATE METRES

**ENGINEERS GEOSCIENTISTS MANITOBA**  
Certificate of Authorization  
KGS Group  
No. 245

**WARNING**

- NOTIFY THE GAS COMPANY OF THE PROPOSED LOCATION OF EXCAVATION.
- TAKE PRECAUTION TO AVOID DAMAGE TO GAS COMPANY INSTALLATIONS.
- SEE PROVINCIAL REGULATION 210/72 FOR DETAILS.



300_LDS	LAND DRAINAGE SEWER	300_LDS	-x-x-x-	FENCE			
250_WWS	WASTE WATER SEWER	250_WWS	—+—+—	TEST HOLE			
---	GAS	---	—+—	GUY WIRE			
---	HYDRO	---	—+—	LIGHT STANDARD			
---	M.T.S.	---	—+—	BACK OF CURB			
150_WM	WATER MAIN	150_WM	—+—	CONCRETE			
+	HYDRANT	+	+	ASPHALT			
+	VALVE	+	+	SIDEWALK			
○	MANHOLE	○	○	PROPERTY LINE			
□	CATCH BASIN	□	□	SURVEY BAR			
▽	CURB INLET	▽	▽	GEODETIC BENCHMARK			
•	POLES	•	•	ELEVATION	(232.231)	TTTTT	
EXISTING	LEGEND-PLAN	PROPOSED	EXISTING	LEGEND-PROFILE	PROPOSED	EXISTING	LEGEND-PROFILE

**LOCATION APPROVED UNDERGROUND STRUCTURES**

SUPV. U/G STRUCTURES DATE COMMITTEE

**NOTE:**  
LOCATION OF UNDERGROUND STRUCTURES AS SHOWN ARE BASED ON THE BEST INFORMATION AVAILABLE BUT NO GUARANTEE IS GIVEN THAT ALL EXISTING UTILITIES ARE SHOWN OR THAT THE GIVEN LOCATIONS ARE EXACT. CONFIRMATION OF EXISTENCE AND EXACT LOCATION OF ALL SERVICES MUST BE OBTAINED FROM THE INDIVIDUAL UTILITIES BEFORE PROCEEDING WITH CONSTRUCTION.

B.M. ELEV.	KGS_BASE	249.221
NO.	REVISIONS	DATE BY
0	ISSUED FOR TENDER	20/03/18 JB

<b>KGS GROUP</b>	
DESIGNED BY	JB
CHECKED BY	CR
DRAWN BY	JLF
APPROVED BY	CR
HOR. SCALE:	1:250
VERTICAL:	VARIES
RELEASED FOR CONSTRUCTION:	
DATE	2019-02-15

**ENGINEER'S SEAL**

PROVINCE OF MANITOBA  
**Asad Roscoe**  
REGISTERED PROFESSIONAL ENGINEER  
14869  
2020-03-18

CONSULTANT DRAWING NO.  
**C103**

**THE CITY OF WINNIPEG**  
PUBLIC WORKS DEPARTMENT  
ENGINEERING DIVISION

PROJECT TITLE  
**2019 ALLEY RENEWALS AND LOCAL IMPROVEMENT ALLEYS**  
CLIFTON ST / TELFER ST  
WOLSELEY AVE TO PORTAGE AVE  
NORTH LEG

SHEET OF  
**03** OF **24**

COMPUTER FILE NAME  
**18-0107-017\_CALL**

CITY DRAWING NUMBER  
—

File: B:\Projects\2018\18-0107-017\DWG\Mun\18-0107-017\_CALL - TabC103 Plotted By: gloewen 20/03/18 [Wed 8:47am]  
 At: C:\Users\jlf\OneDrive\Documents\18-0107-017\DWG\Mun\18-0107-017\_CALL - TabC103 Plotted By: gloewen 20/03/18 [Wed 8:47am]