



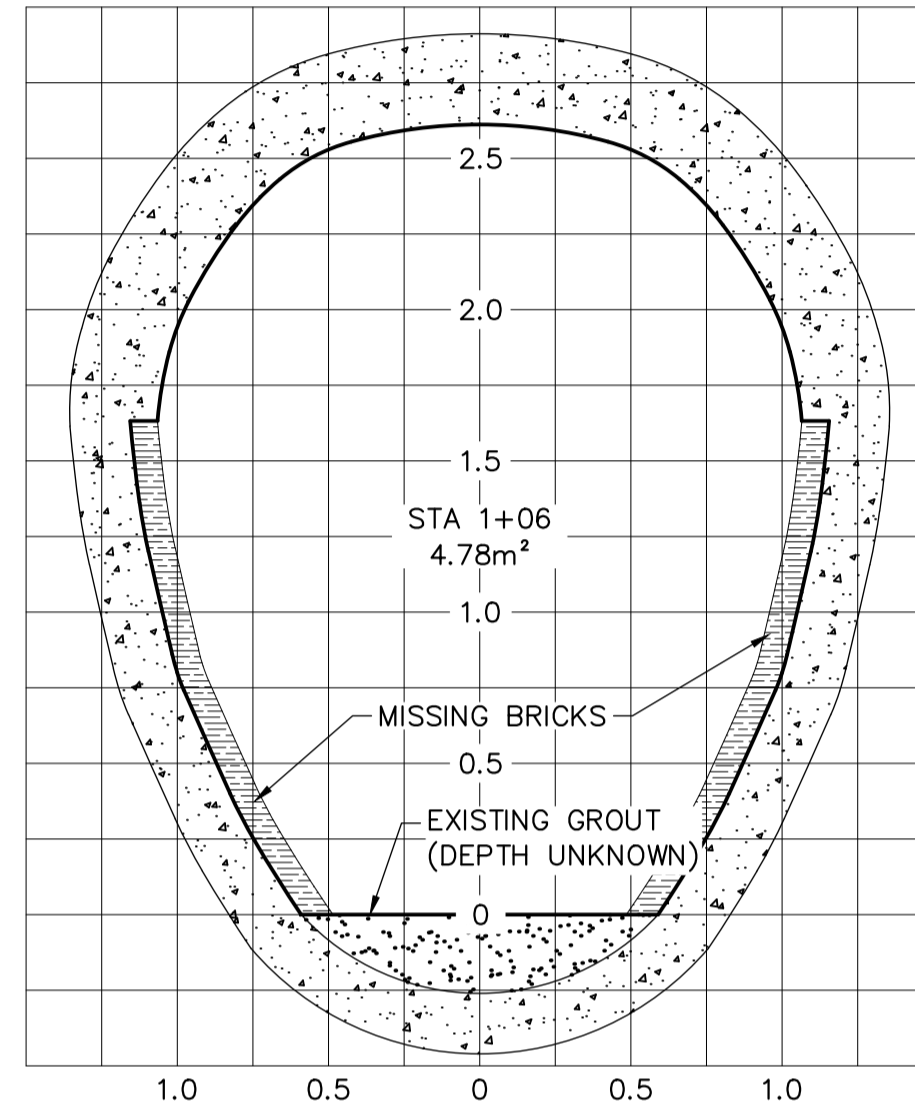
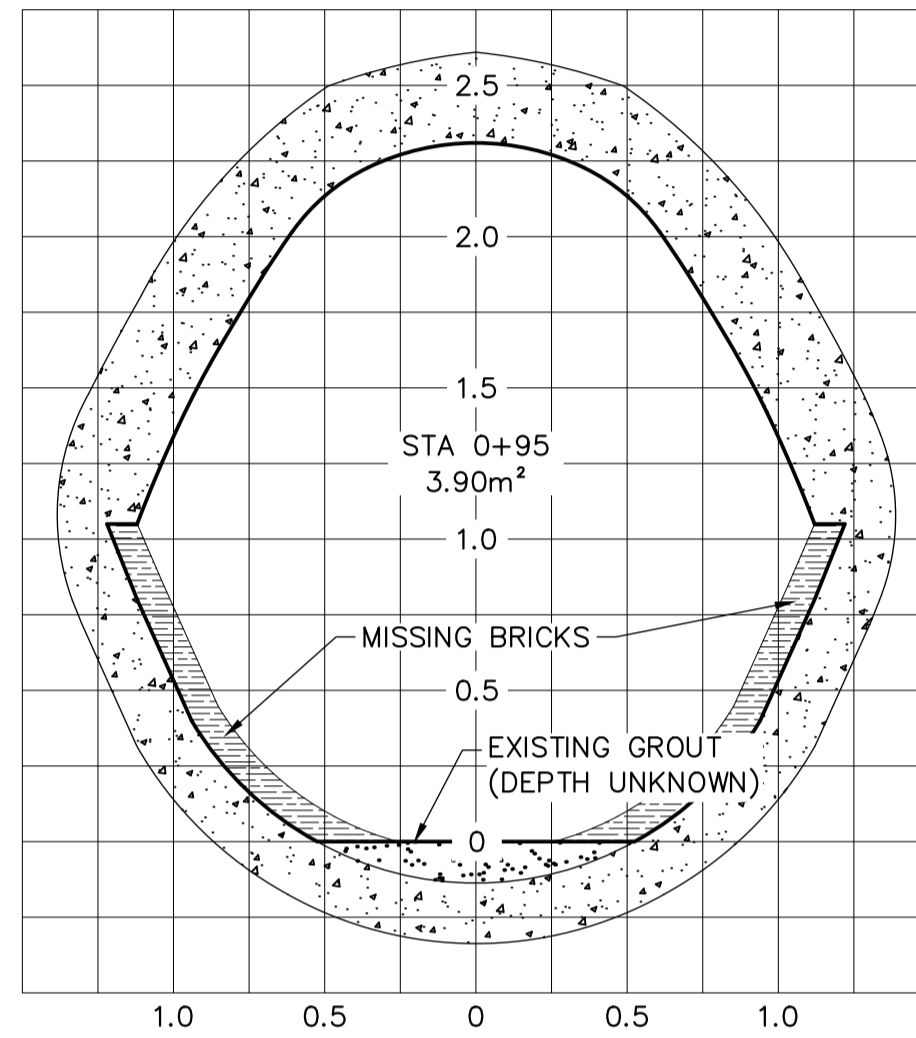
EXISTING PIPE @ APPROX. STA 0+88.0
(LOOKING UPSTREAM)



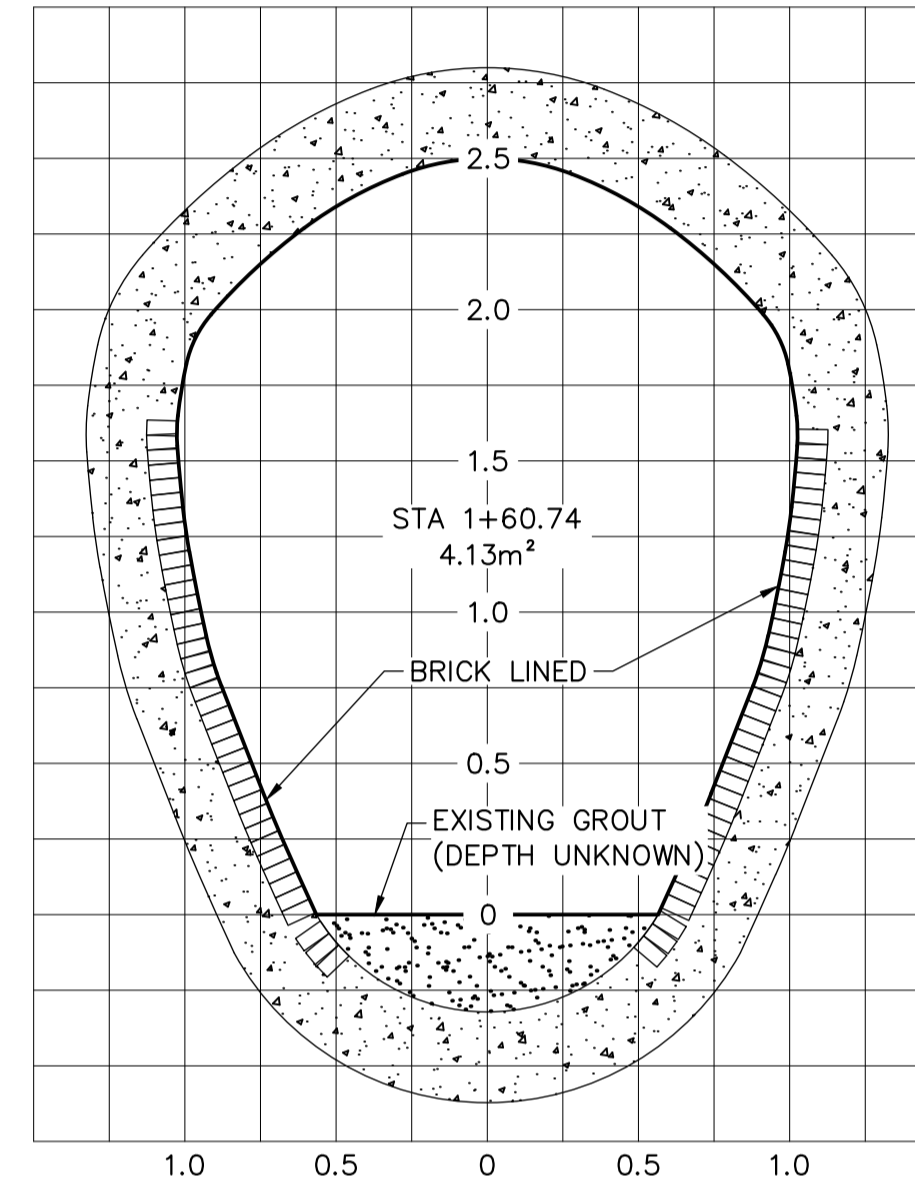
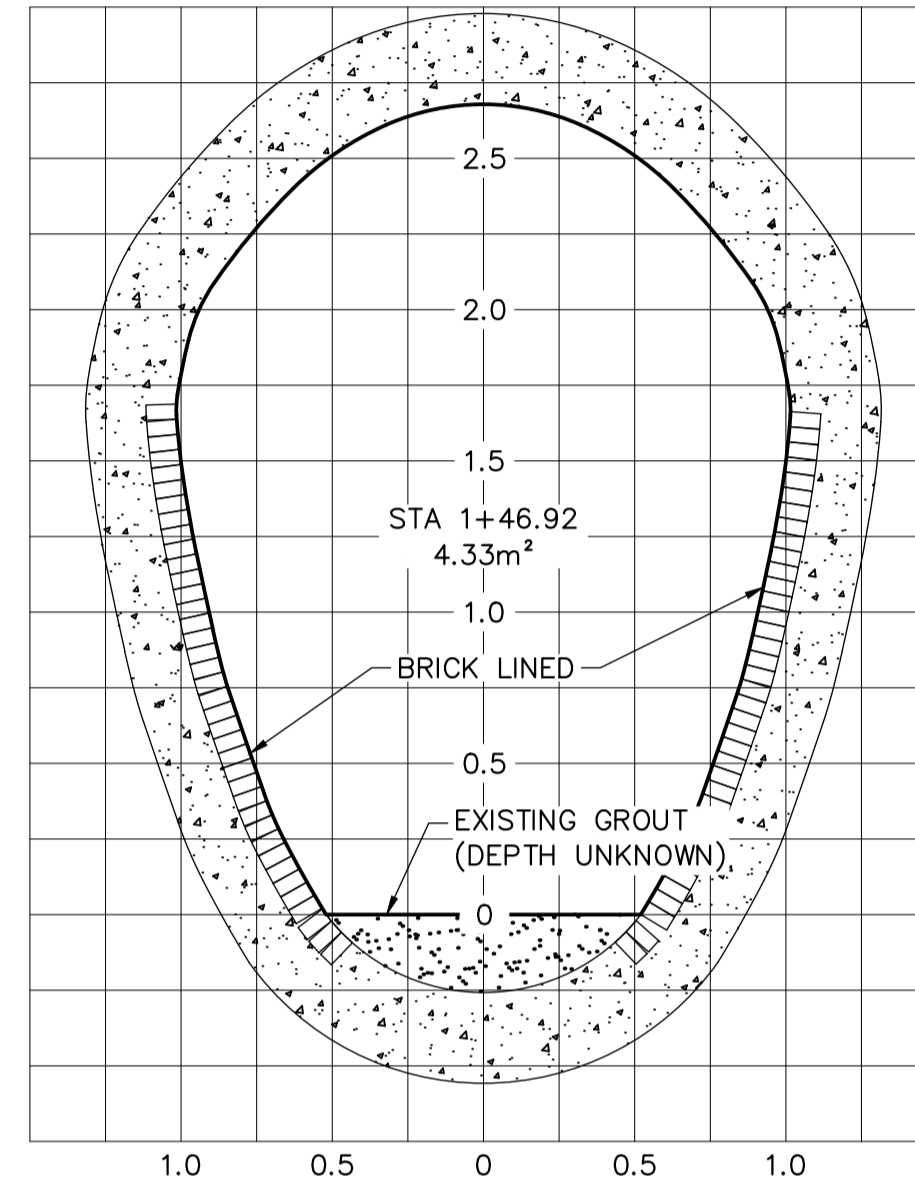
EXISTING PIPE @ APPROX. STA 1+05.0
(LOOKING UPSTREAM)



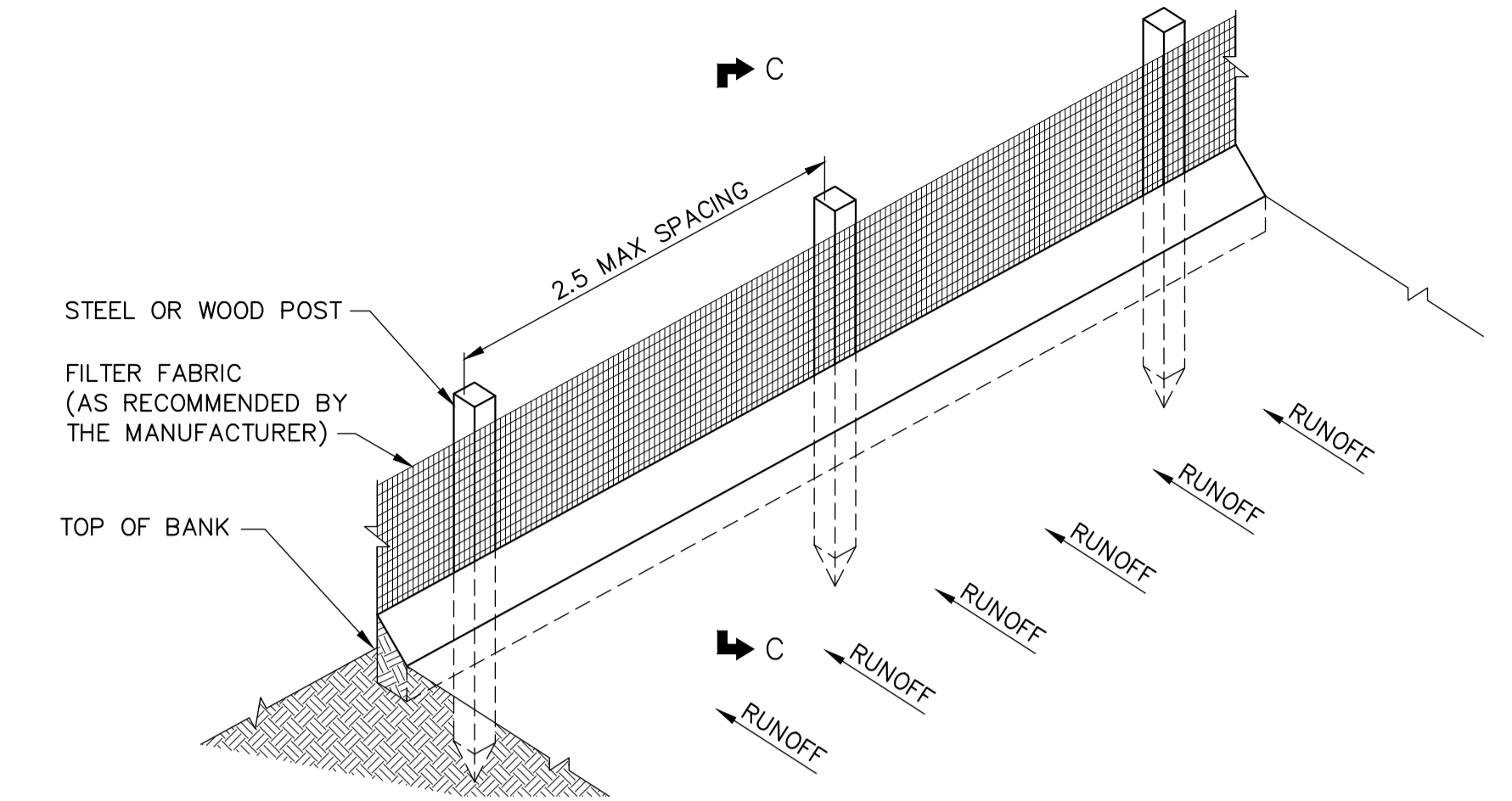
EXISTING PIPE @ APPROX. STA 1+46.0
(LOOKING UPSTREAM)



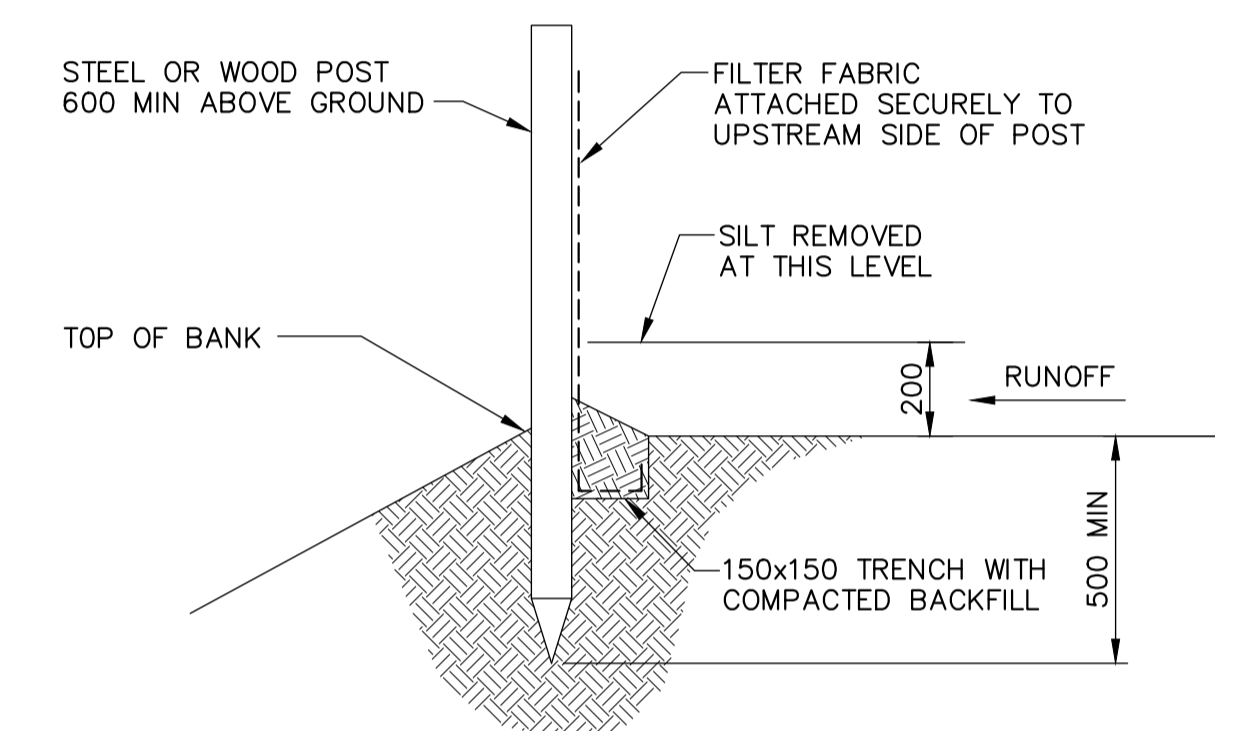
NOTE: CONTRACTOR TO VERIFY EXISTING PIPE DIMENSIONS IN FIELD (REF. E30)



APPROXIMATE EXISTING SEWER SECTIONS
SCALE: 1:25

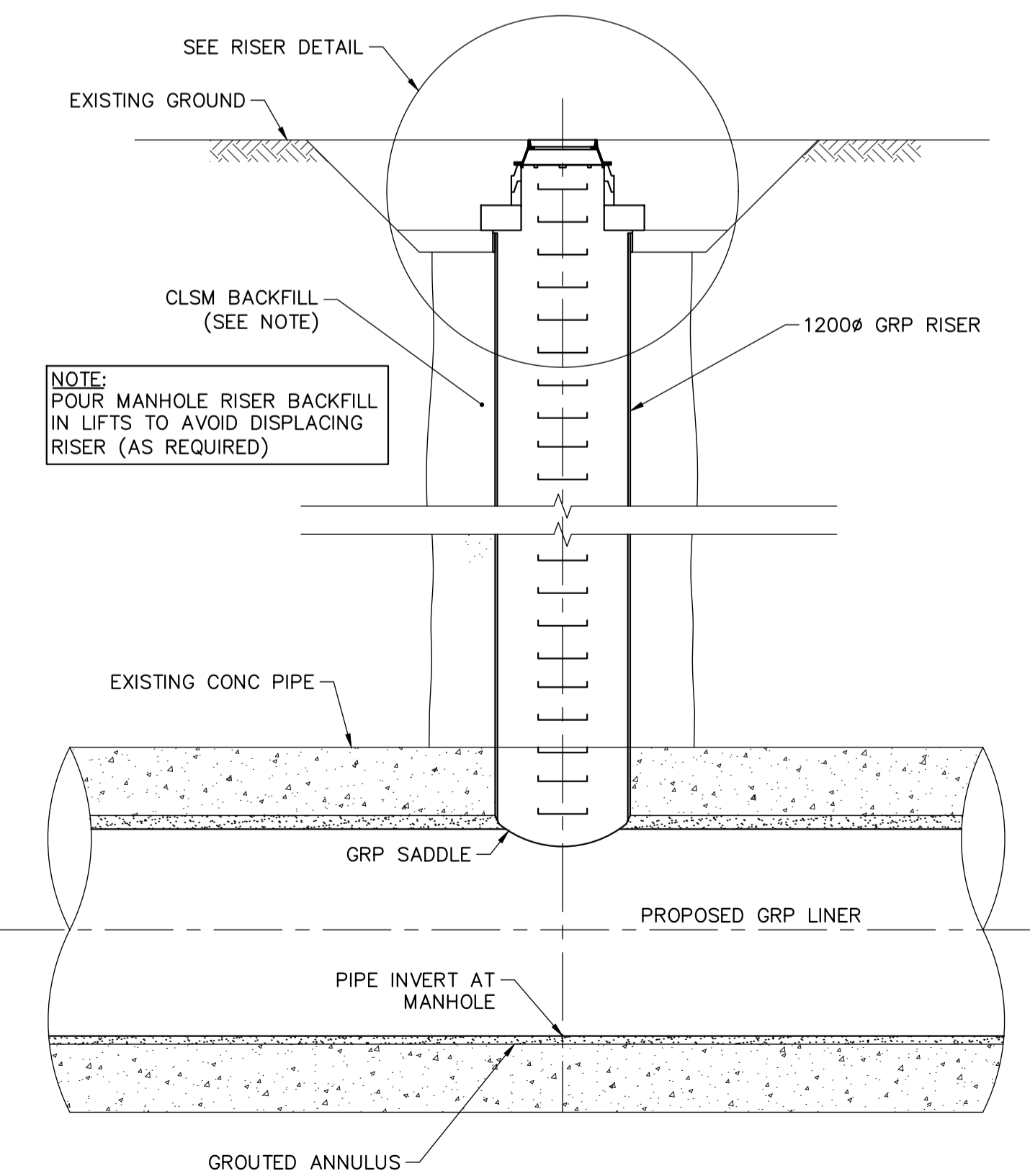


ISOMETRIC DETAIL



SECTION C-C

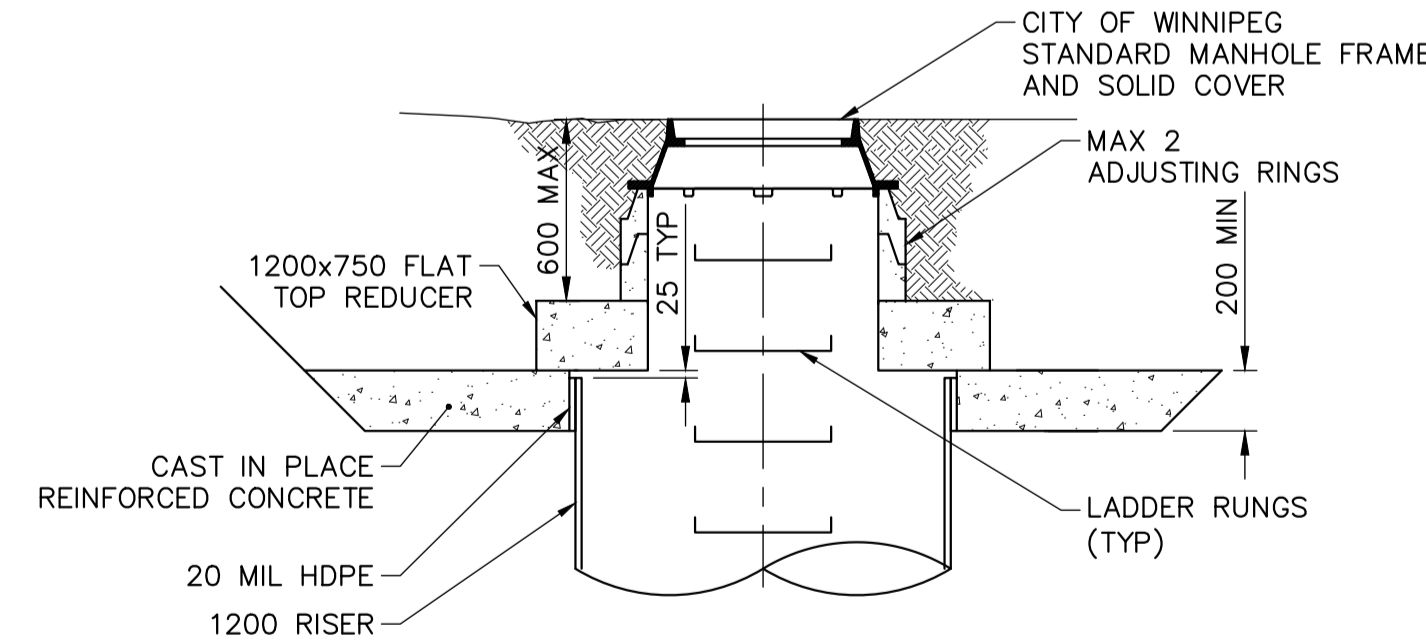
SILT FENCE DETAILS
SCALE: N.T.S.



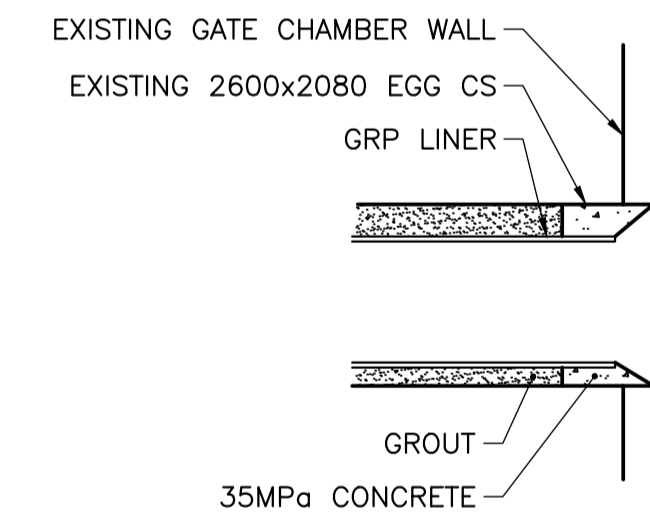
GRP RISER MANHOLE & SADDLE DETAIL
SCALE: NTS

METRIC
WHOLE NUMBERS INDICATE MILLIMETRES
DECIMALIZED NUMBERS INDICATE METRES

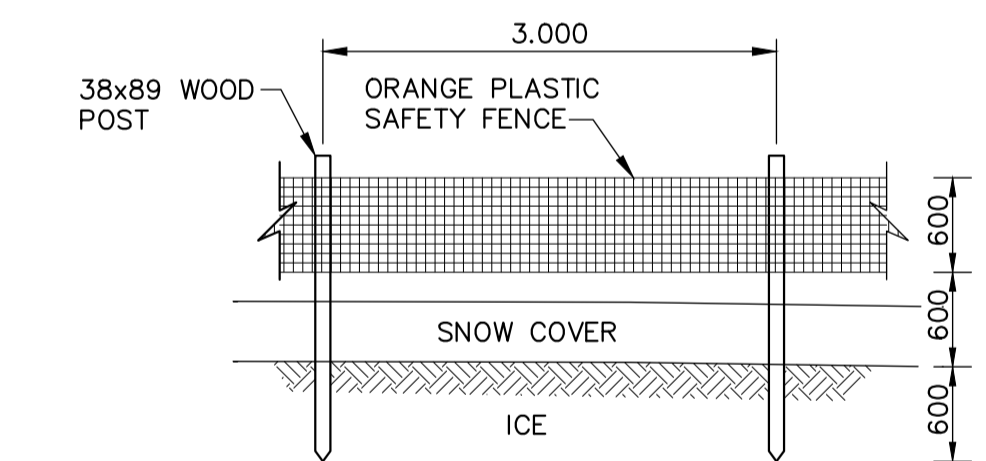
- NOTES:
- POUR MANHOLE RISER BACKFILL IN LIFTS (AS REQUIRED) TO AVOID DISPLACING RISER.



RISER DETAIL
SCALE: NTS



CONNECTION AT GATE CHAMBER AND CONC/CMP TRANSITION
SCALE: N.T.S.



SAFETY FENCE DETAIL
SCALE: N.T.S.



LOCATION APPROVED UNDERGROUND STRUCTURES		B.M. ELEV.
SUPV. U/G STRUCTURES COMMITTEE	DATE	
NOTE: LOCATION OF UNDERGROUND STRUCTURES AS SHOWN ARE BASED ON THE BEST INFORMATION AVAILABLE BUT NO GUARANTEE IS GIVEN THAT ALL EXISTING UTILITIES ARE SHOWN OR THAT THE GIVEN LOCATIONS ARE EXACT. CONFIRMATION OF EXISTENCE AND EXACT LOCATION OF ALL SERVICES MUST BE OBTAINED FROM THE INDIVIDUAL UTILITIES BEFORE PROCEEDING WITH CONSTRUCTION.		
NO.	ISSUED FOR TENDER	DATE
	REVISIONS	DATE

KGS GROUP	
DESIGNED BY	NGV
CHECKED BY	RBO
DRAWN BY	GEL
APPROVED BY	RBO
SCALE:	HORIZONTAL AS NOTED
	VERTICAL NA
DATE	2020 04 08
DATE	2020 04 08

ENGINEER'S SEAL	
DESIGNED BY	NGV
CHECKED BY	RBO
DRAWN BY	GEL
APPROVED BY	RBO
SCALE:	HORIZONTAL AS NOTED
	VERTICAL NA
DATE	2020 04 08
DATE	2020 04 08

CONSULTANT DRAWING NUMBER	1-03030-C0002-002
TENDER NUMBER:	170-2020

THE CITY OF WINNIPEG
 WATER AND WASTE DEPARTMENT
 ENGINEERING DIVISION
 ARCHIBALD STREET OUTFALL
 RENEWAL AND REHABILITATION
MISCELLANEOUS DETAILS
 SHEET 2 OF 2

SHEET 5 OF 5
 CITY DRAWING NUMBER
 1-03030-C0002-002