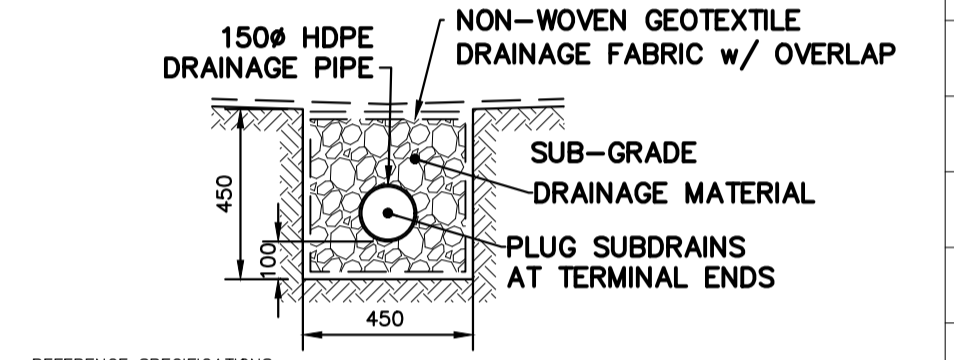
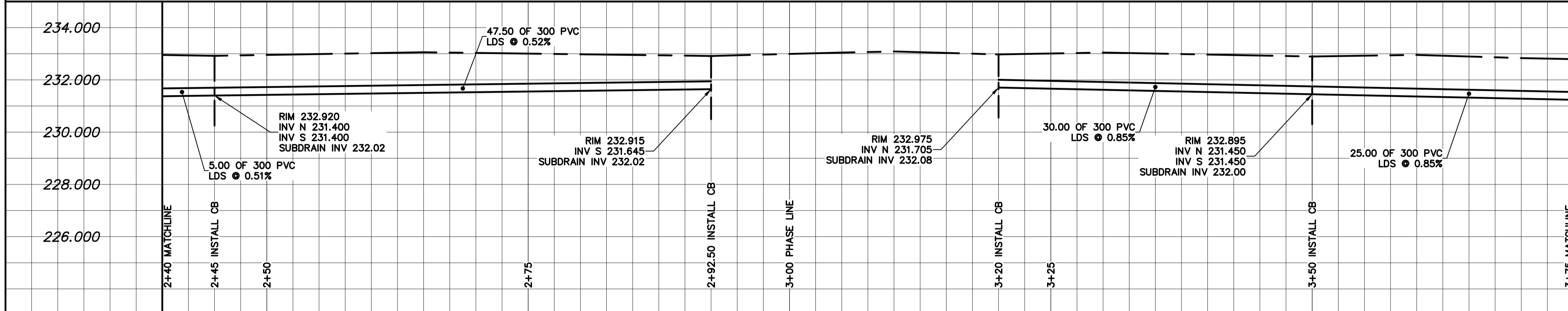
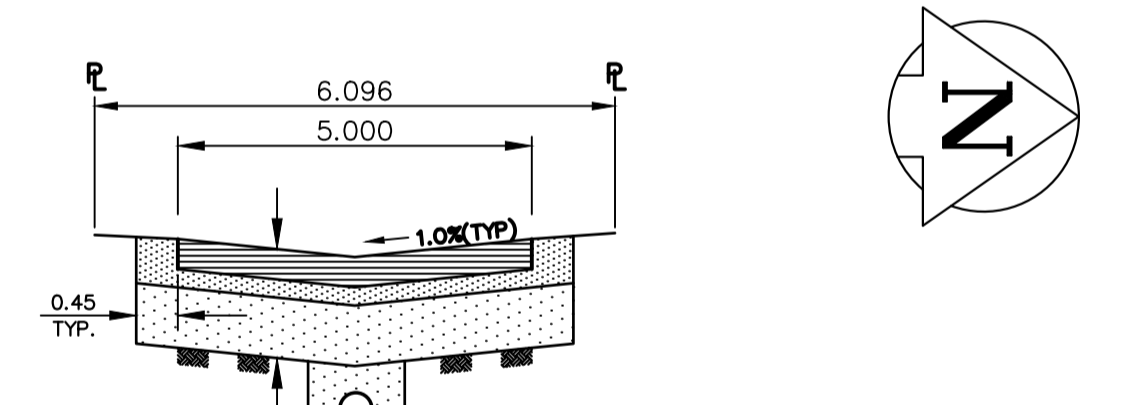
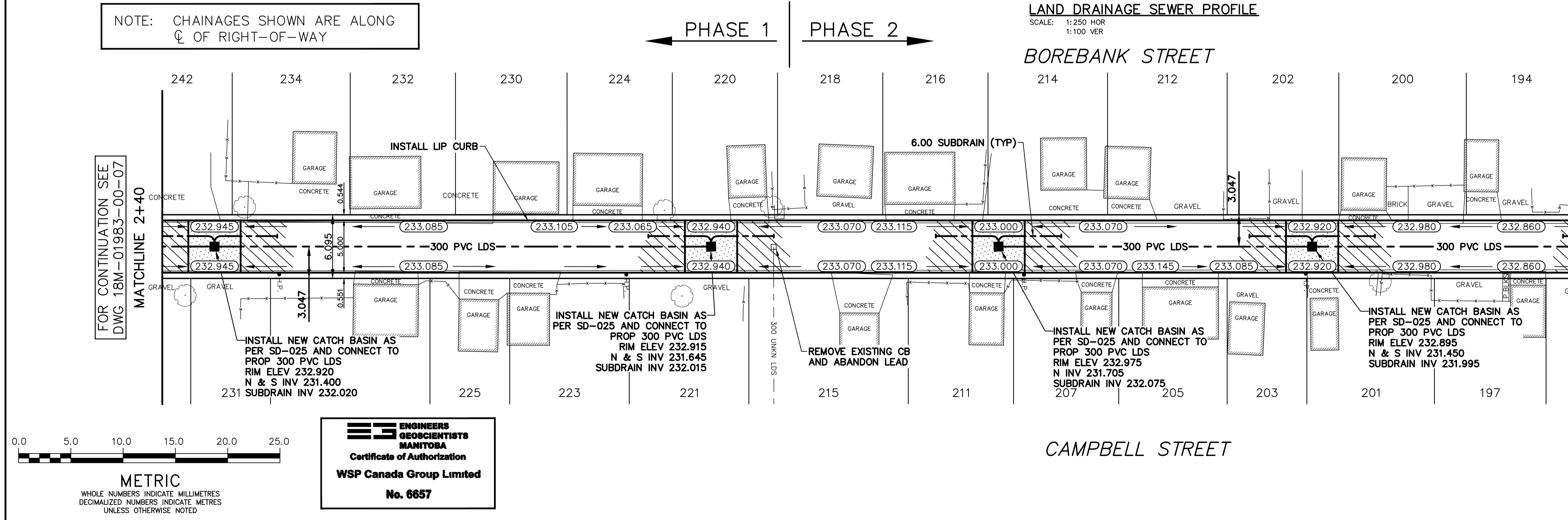


**ALLEY PAVEMENT PROFILE**  
SCALE: 1:250 HOR  
1:10 VER

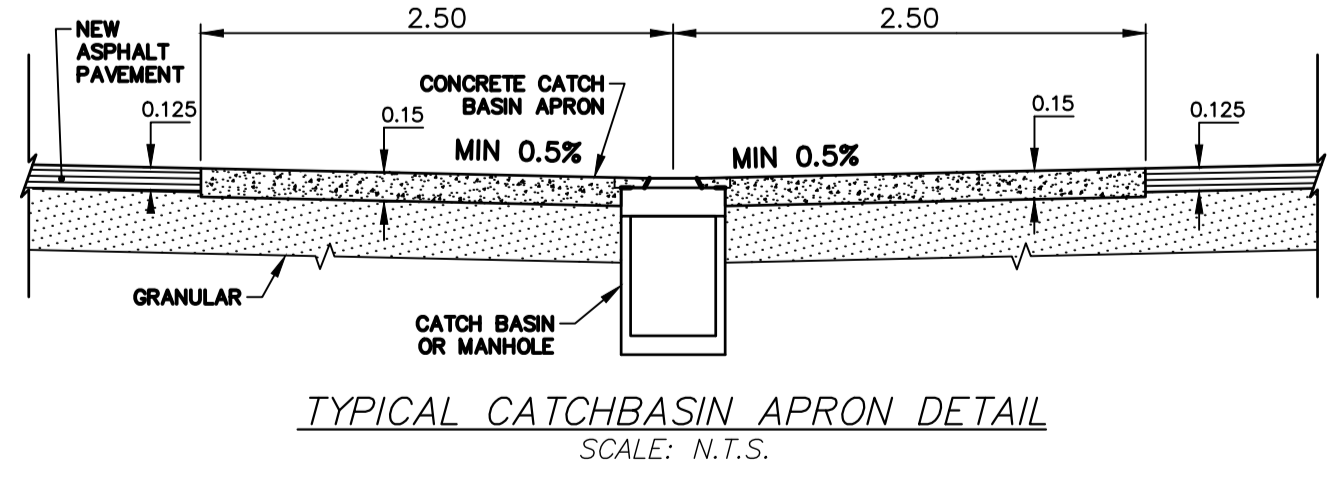
- NOTES:**
1. ALL WORK AND MATERIALS TO BE IN ACCORDANCE WITH THE LATEST REVISION OF THE CITY OF WINNIPEG STANDARD CONSTRUCTION SPECIFICATION.
  2. CONTRACTOR TO CONFIRM THE LOCATION OF ALL UTILITIES/SERVICES IN THE FIELD PRIOR TO CONSTRUCTION.
  3. CONTRACTOR TO AVOID DAMAGE TO EXISTING TREES WITHIN THE LIMITS OF THE ALLEY RIGHT OF WAY AS OUTLINED IN THE BID OPPORTUNITY.
  4. HYDRO POLES AND ANCHORS REQUIRING TEMPORARY SUPPORT TO BE DONE AT THE EXPENSE OF THE CONTRACTOR AS REQUIRED.
  5. WHERE UNSTABLE SUB-GRADES ARE ENCOUNTERED, ADDITIONAL EXCAVATION/SUB-BASE TO BE DETERMINED BY THE CONTRACT ADMINISTRATOR AND CONSTRUCTED IN ACCORDANCE W/ CW-3110.
  6. PROPOSED ELEVATIONS GIVEN ARE FOR EDGE OF PAVEMENT.
  7. ISOLATE EXISTING HYDRO POLES AS PER SD-228C.
  8. RENEW CURB AND SIDEWALK AS DIRECTED BY THE CONTRACT ADMINISTRATOR.
  9. MODIFIED BARRIER CURB TO BE CONSTRUCTED AT ALL BACK LANE RADII.
  10. ALL EXISTING PRIVATE APPROACHES TO BE RENEWED AS DIRECTED BY THE CONTRACT ADMINISTRATOR.
  11. ADJUSTMENTS TO PROPOSED CROSSFALL, WHERE REQUIRED, ARE TO BE DETERMINED BY THE CONTRACT ADMINISTRATOR TO SUIT EXISTING DRIVEWAYS, APPROACHES, ETC.
  12. ALL BOULEVARD RESTORATION TO BE SODDED UNLESS OTHERWISE NOTED.
  13. INSTALLATION OF LIP CURBS AND THEIR LIMITS THROUGH PRIVATE APPROACHES TO BE DETERMINED BY THE CONTRACT ADMINISTRATOR.
  14. REMOVE, ADJUST, AND SUPPLY PRECAST SIDEWALK BLOCKS AS DIRECTED BY THE CONTRACT ADMINISTRATOR.



**TYPICAL ALLEY SUBDRAIN DETAIL**  
SCALE: N.T.S.



**TYPICAL ALLEY CROSS SECTION**  
SCALE: N.T.S.



**TYPICAL CATCHBASIN APRON DETAIL**  
SCALE: N.T.S.

EXISTING	LEGEND - PLAN	PROPOSED	EXISTING	LEGEND - PLAN	PROPOSED	EXISTING	LEGEND - PROFILE	PROPOSED
---	WATERMAIN	---	---	M.T.S.	---	---	WATERMAIN	---
---	HYDRANT	---	---	CONCRETE/ASPHALT	---	---	VALVE	---
---	VALVE	---	---	SIDEWALK	---	---	LAND DRAINAGE SEWER	---
---	CURB STOP	---	---	CURB RAMP	---	---	WASTE WATER SEWER	---
---	LAND DRAINAGE SEWER	---	---	ELEVATIONS	---	---	CENTERLINE	---
---	WASTE WATER SEWER	---	---	PROPERTY LINE	---	---	SOUTH & EAST GUTTER	---
---	CB LEAD	---	---	SURVEY BAR	---	---	NORTH & WEST GUTTER	---
---	MANHOLE	---	---	HYDRO POLE	---	---	S & E GARAGE PAD	---
---	CATCH BASIN	---	---	STREET LIGHT	---	---	N & W GARAGE PAD	---
---	GAS	---	---	JOINTS	---	---		
---	HYDRO	---	---	ASPHALT REPAIR	---	---		

EXISTING	LEGEND - PLAN	PROPOSED	EXISTING	LEGEND - PROFILE	PROPOSED
---	WATERMAIN	---	---	WATERMAIN	---
---	HYDRANT	---	---	VALVE	---
---	VALVE	---	---	LAND DRAINAGE SEWER	---
---	CURB STOP	---	---	WASTE WATER SEWER	---
---	LAND DRAINAGE SEWER	---	---	CENTERLINE	---
---	WASTE WATER SEWER	---	---	SOUTH & EAST GUTTER	---
---	CB LEAD	---	---	NORTH & WEST GUTTER	---
---	MANHOLE	---	---	S & E GARAGE PAD	---
---	CATCH BASIN	---	---	N & W GARAGE PAD	---
---	GAS	---	---		
---	HYDRO	---	---		

NO.	REVISIONS	DATE	BY
1	ISSUED FOR TENDER	21/01/20	DR
2	ISSUED FOR PW & UGS REVIEW	16/04/19	AB
3	PRELIMINARY DESIGN REVIEW	14/03/19	DR

DESIGNED BY	CHECKED BY
A.B.	A.B./R.H.
DRAWN BY	APPROVED BY
D.R.	S.M.

SCALE	DATE
HOR. SCALE: 1:250	
VERT. SCALE: AS SHOWN	

**NOT FOR CONSTRUCTION**

CONSULTANT DRAWING NO.  
18M-01983-00-08

**THE CITY OF WINNIPEG**  
PUBLIC WORKS DEPARTMENT

**2019 ALLEY RENEWALS**  
BOREBANK STREET / CAMPBELL STREET ALLEY  
FROM STA 2+40 TO STA 3+75

CITY DRAWING NO.  
LD-----

SHEET 2 OF 3

BID OPPORTUNITY  
162-2020

ASPHALT PAVEMENT