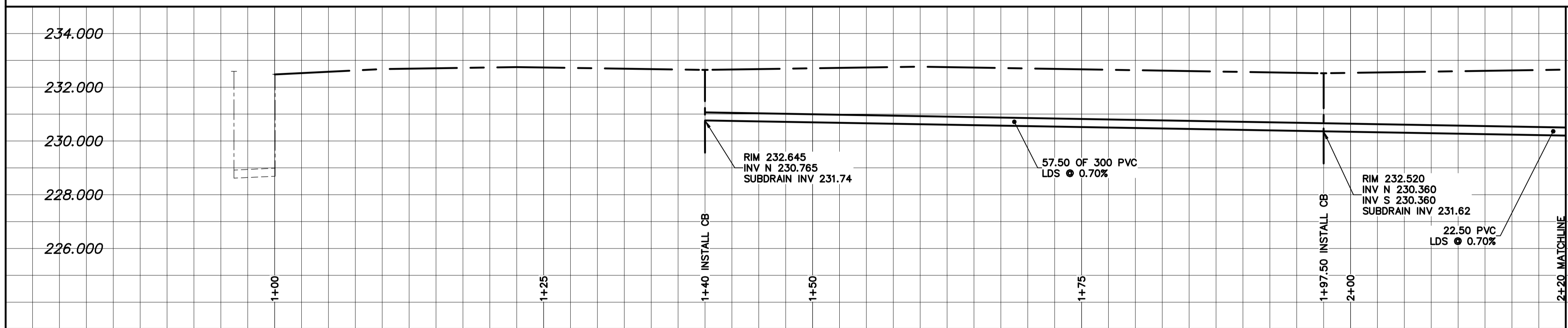
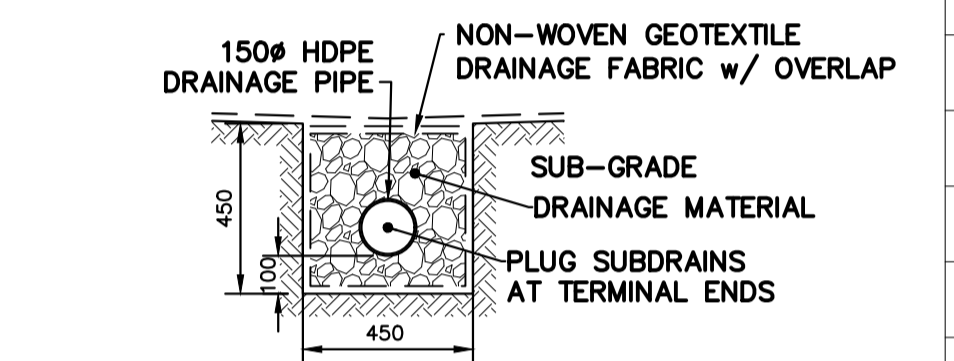


ALLEY PAVEMENT PROFILE
SCALE: 1:250 HOR
1:10 VER

- NOTES:**
1. ALL WORK AND MATERIALS TO BE IN ACCORDANCE WITH THE LATEST REVISION OF THE CITY OF WINNIPEG STANDARD CONSTRUCTION SPECIFICATION.
 2. CONTRACTOR TO CONFIRM THE LOCATION OF ALL UTILITIES/SERVICES IN THE FIELD PRIOR TO CONSTRUCTION.
 3. CONTRACTOR TO AVOID DAMAGE TO EXISTING TREES WITHIN THE LIMITS OF THE ALLEY RIGHT OF WAY AS OUTLINED IN THE BID OPPORTUNITY.
 4. HYDRO POLES AND ANCHORS REQUIRING TEMPORARY SUPPORT TO BE DONE AT THE EXPENSE OF THE CONTRACTOR AS REQUIRED.
 5. WHERE UNSTABLE SUB-GRADES ARE ENCOUNTERED, ADDITIONAL EXCAVATION/SUB-BASE TO BE DETERMINED BY THE CONTRACT ADMINISTRATOR AND CONSTRUCTED IN ACCORDANCE W/ CW-3110.
 6. PROPOSED ELEVATIONS GIVEN ARE FOR EDGE OF PAVEMENT.
 7. ISOLATE EXISTING HYDRO POLES AS PER SD-228C.
 8. RENEW CURB AND SIDEWALK AS DIRECTED BY THE CONTRACT ADMINISTRATOR.
 9. MODIFIED BARRIER CURB TO BE CONSTRUCTED AT ALL BACK LANE RADI.
 10. ALL EXISTING PRIVATE APPROACHES TO BE RENEWED AS DIRECTED BY THE CONTRACT ADMINISTRATOR.
 11. ADJUSTMENTS TO PROPOSED CROSSFALL, WHERE REQUIRED, ARE TO BE DETERMINED BY THE CONTRACT ADMINISTRATOR TO SUIT EXISTING DRIVEWAYS, APPROACHES, ETC.
 12. ALL BOULEVARD RESTORATION TO BE SODDED UNLESS OTHERWISE NOTED.
 13. INSTALLATION OF LIP CURBS AND THEIR LIMITS THROUGH PRIVATE APPROACHES TO BE DETERMINED BY THE CONTRACT ADMINISTRATOR.
 14. REMOVE, ADJUST, AND SUPPLY PRECAST SIDEWALK BLOCKS AS DIRECTED BY THE CONTRACT ADMINISTRATOR.



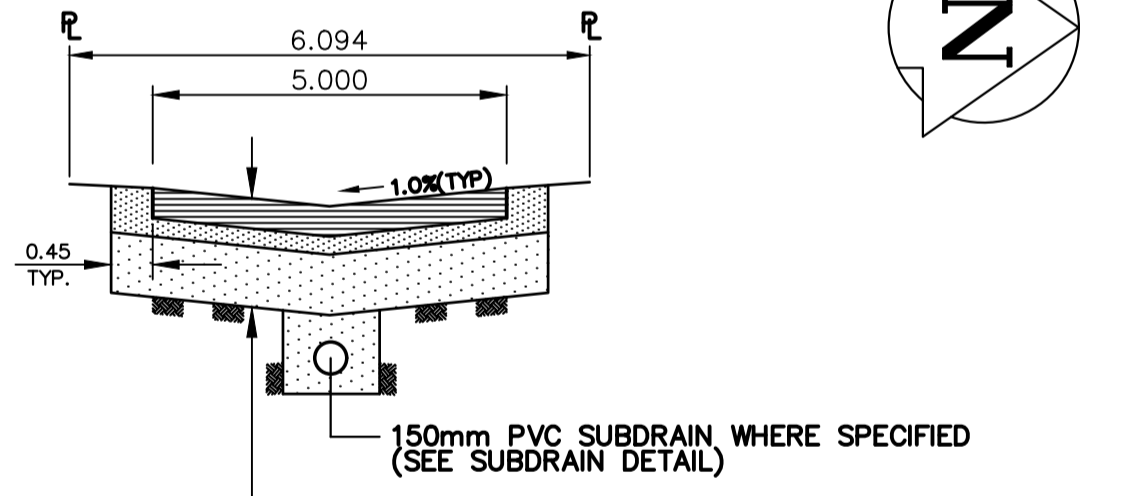
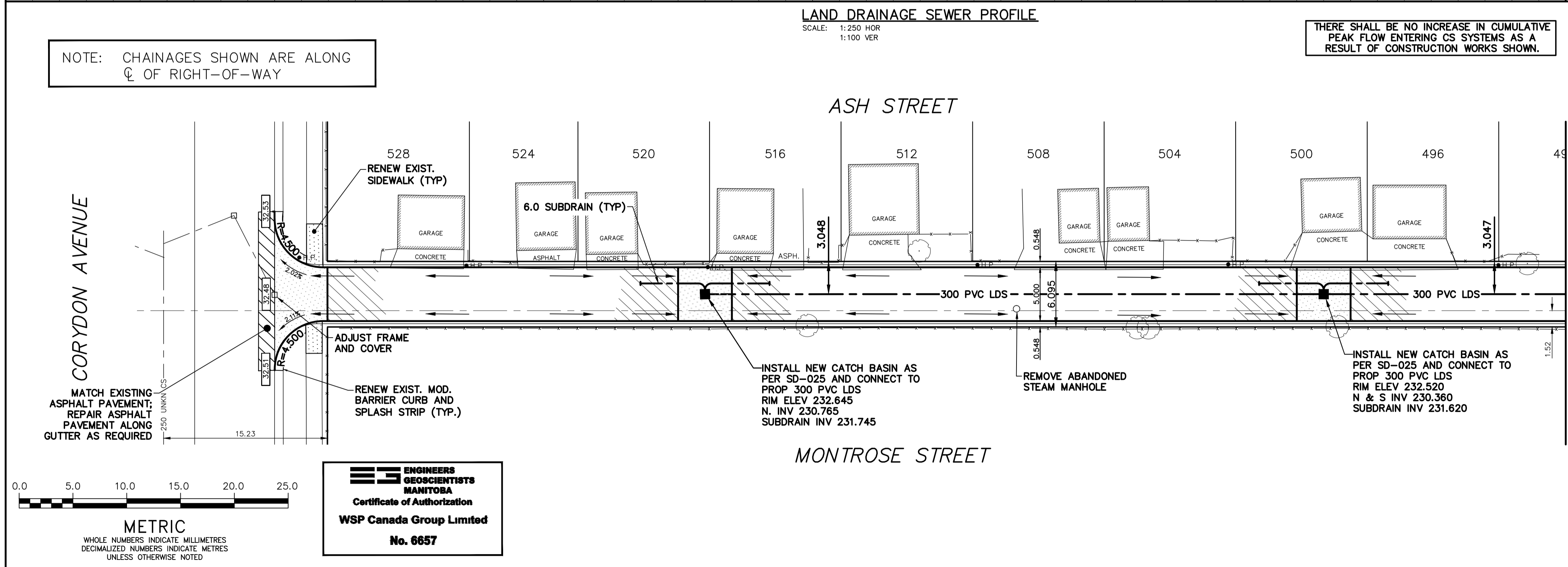
LAND DRAINAGE SEWER PROFILE
SCALE: 1:250 HOR
1:100 VER



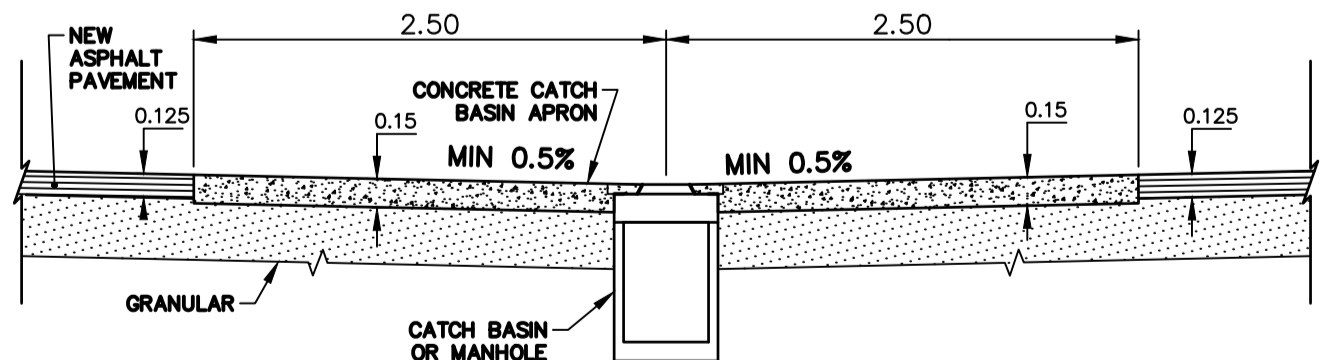
TYPICAL ALLEY SUBDRAIN DETAIL
SCALE: N.T.S.

NOTE: CHAINAGES SHOWN ARE ALONG CL OF RIGHT-OF-WAY

THERE SHALL BE NO INCREASE IN CUMULATIVE PEAK FLOW ENTERING CS SYSTEMS AS A RESULT OF CONSTRUCTION WORKS SHOWN.



TYPICAL ALLEY CROSS SECTION
SCALE: N.T.S.



TYPICAL CATCHBASIN APRON DETAIL
SCALE: N.T.S.

WATERMAIN	HYDRANT	VALVE	CURB STOP	LAND DRAINAGE SEWER	WASTE WATER SEWER	CB LEAD	MANHOLE	CATCH BASIN	GAS	HYDRO
M.T.S.	CONCRETE/ASPHALT	SIDEWALK	CURB RAMP	ELEVATIONS	PROPERTY LINE	SURVEY BAR	HYDRO POLE	STREET LIGHT	JOINTS	ASPHALT REPAIR
150 WWS	300 LDS	250 WWS	(232.00)							
EXISTING	LEGEND - PLAN	PROPOSED	EXISTING	LEGEND - PROFILE	PROPOSED	EXISTING	LEGEND - PLAN	PROPOSED	EXISTING	LEGEND - PROFILE

LOCATION APPROVED UNDERGROUND STRUCTURES	DATE
WATERMAIN	150 MM
VALVE	150 MM
LAND DRAINAGE SEWER	300 LDS
WASTE WATER SEWER	250 WWS
CENTERLINE	
SOUTH & EAST GUTTER	
NORTH & WEST GUTTER	
S & E GARAGE PAD	
N & W GARAGE PAD	

B.M. - TOP NUT OF HYDRANT AT THE NORTH EAST CORNER OF OAK ST./FLEET AVE. INTERSECTION	ELEV. - 233.565
DESIGNED BY	A.B.
CHECKED BY	A.B./R.H.
DRAWN BY	D.R.
APPROVED BY	S.M.
HOR. SCALE:	1:250
VERT. SCALE:	AS SHOWN
ISSUED FOR TENDER	21/01/20 DR
ISSUED FOR PW & UGS REVIEW	16/04/19 AB
PRELIMINARY DESIGN REVIEW	14/03/19 DR
REVISIONS	DATE BY

wsp

111-93 Lombard Avenue
Winnipeg, Manitoba
R3B 3B1 Canada
Phone: 204-943-3178
Fax: 204-943-4948
wsp.com

NOT FOR CONSTRUCTION

CONSULTANT DRAWING NO.
18M-01983-00-01

THE CITY OF WINNIPEG
PUBLIC WORKS DEPARTMENT

2019 ALLEY RENEWALS
ASH STREET / MONTROSE STREET ALLEY
FROM CORYDON AVENUE TO STA 2+20

CITY DRAWING NO.
LD-0000

SHEET 1 OF 3

BID OPPORTUNITY
162-2020