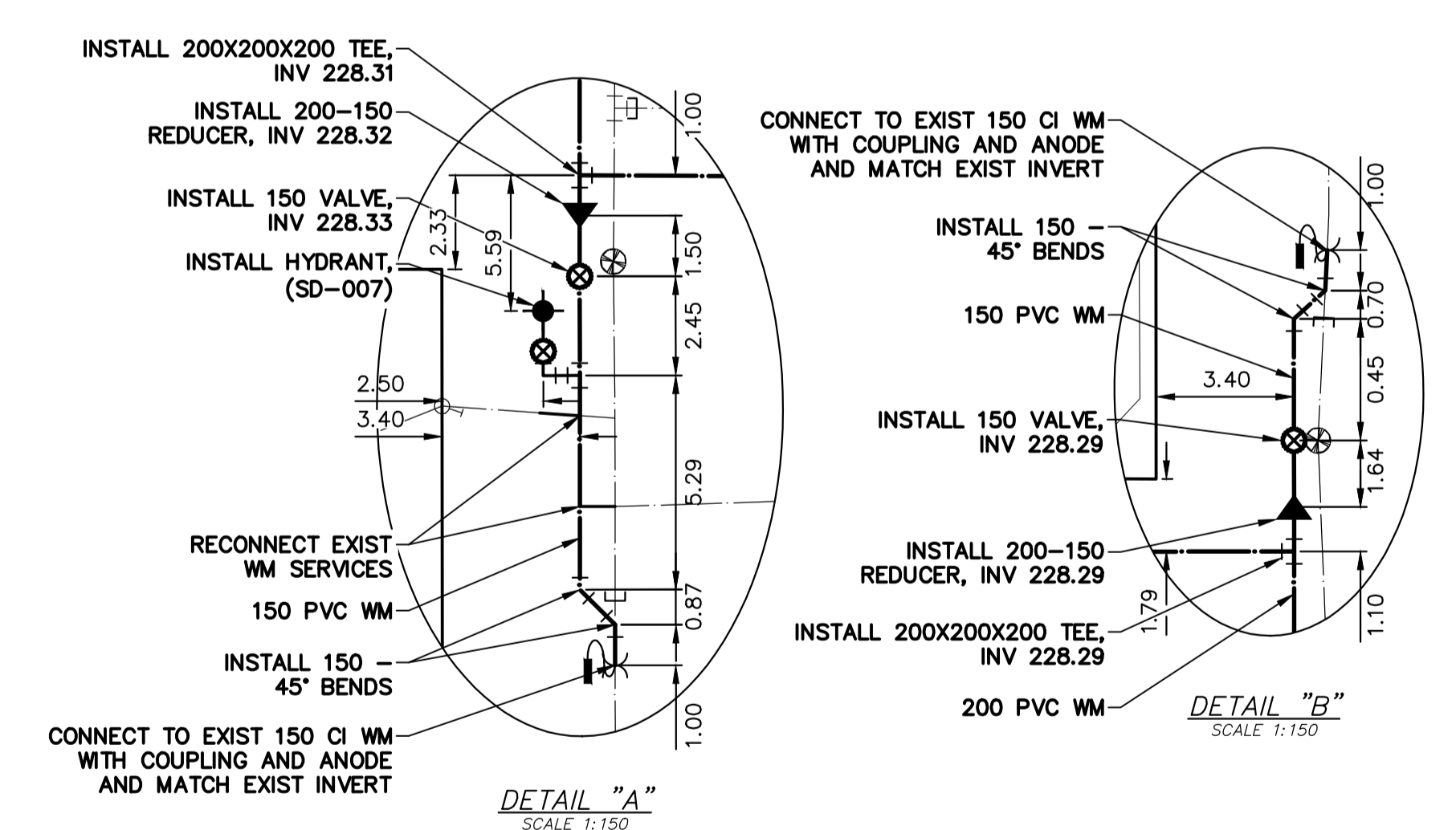
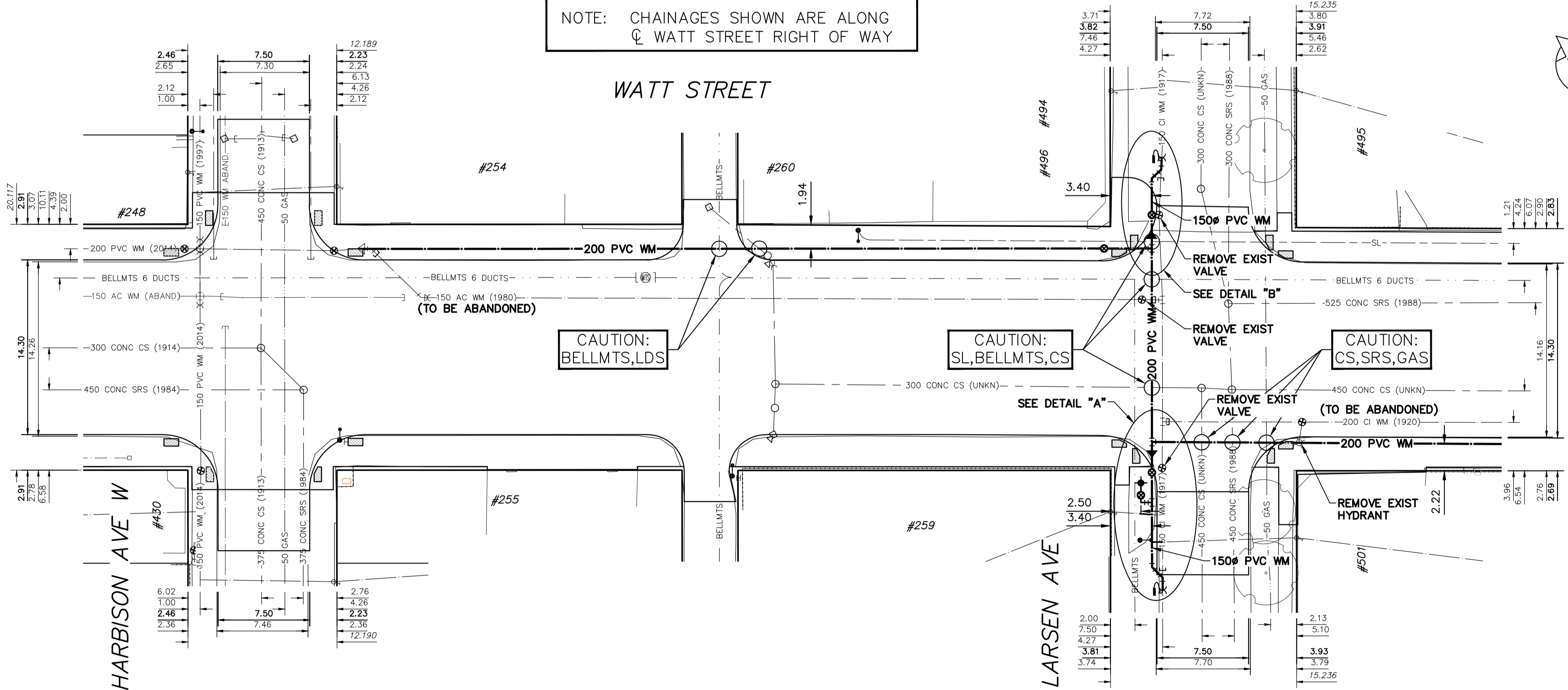


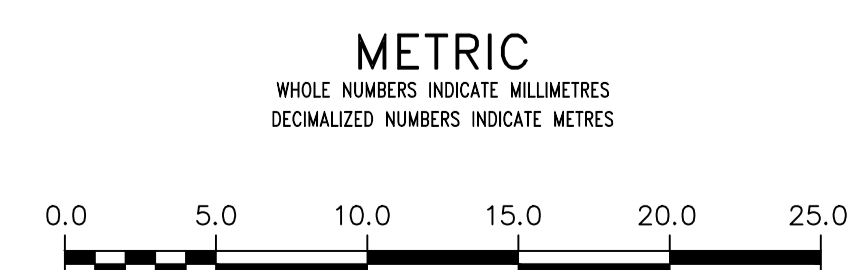
NOTE: CHAINAGES SHOWN ARE ALONG  
 WATT STREET RIGHT OF WAY

WATER SERVICE INFORMATION					
ADDRESS	SIZE (mm) MATERIAL (STREET)	SIZE (mm) MATERIAL (PROP.)	SHORT & LONG MEASUREMENT	CORP. LOCATION	REMARKS
259 WATT ST COMMERCIAL	20 COPPER	20 COPPER	ON W/L	0.30 E W/L	-
* 501 LARSEN AVE RESIDENTIAL	16 LEAD	16 LEAD	18 E OF W LOT LINE	19.2 E VLV BOX	RENEW TO R WITH 20 COPPER

\* SERVICES TO BE RENEWED TO R. ALL OTHERS TO BE RECONNECTED



NOTE: ALL VALVES TO BE INSTALLED  
 COUNTERCLOCKWISE TO CLOSE



**WARNING**  
 IF POWER EQUIPMENT OR EXPLOSIVES ARE TO BE USED FOR EXCAVATION ON THIS PROJECT THE CONTRACTOR MUST:  
 1) NOTIFY THE GAS COMPANY OF THE PROPOSED LOCATION OF EXCAVATION.  
 2) TAKE PRECAUTION TO AVOID DAMAGE TO GAS COMPANY INSTALLATIONS.  
 SEE PROVINCIAL REGULATION 210/72 FOR DETAILS

LOCATION APPROVED UNDERGROUND STRUCTURES

SUPV. U/G STRUCTURES COMMITTEE	DATE

NOTE:  
 LOCATION OF UNDERGROUND STRUCTURES AS SHOWN ARE BASED ON THE BEST INFORMATION AVAILABLE BUT NO GUARANTEE IS GIVEN THAT ALL EXISTING UTILITIES ARE SHOWN OR THAT THE GIVEN LOCATIONS ARE EXACT. CONFIRMATION OF EXISTENCE AND EXACT LOCATION OF ALL SERVICES MUST BE OBTAINED FROM THE INDIVIDUAL UTILITIES BEFORE PROCEEDING WITH CONSTRUCTION.

NO.	REVISIONS	DATE	BY

<b>wsp</b>		111-93 Lombard Avenue Winnipeg, Manitoba R3B 3B1 Canada Phone: 204-943-3178 Fax: 204-943-4948 wsp.com	
DESIGNED BY	R.H.	CHECKED BY	K.G.
DRAWN BY	R.H.	APPROVED BY	S.M.
SCALE:	HORIZONTAL 1:250 VERTICAL 1:50	RELEASED FOR CONSTRUCTION	
DATE	2020 02 26	DATE	

ENGINEER'S SEAL  
 CONSULTANT DRAWING NUMBER  
 19M-01825-00-03

**THE CITY OF WINNIPEG**  
 WATER AND WASTE DEPARTMENT  
 ENGINEERING DIVISION

2020 WATT STREET PAVMENT RENEWAL &  
 WATER MAIN RENEWAL-CONTRACT 8

**WATT STREET**  
 NL OF HARBISON AVENUE WEST TO  
 16.9M>NNL OF LARSON AVE

SHEET 03 OF 18  
 CITY DRAWING NUMBER  
 D-15652