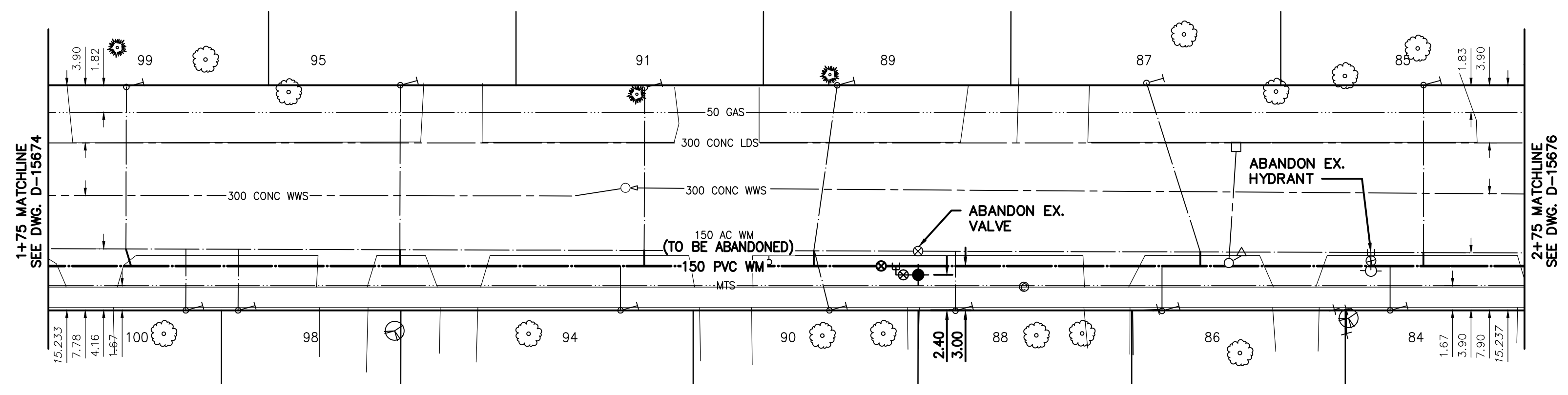
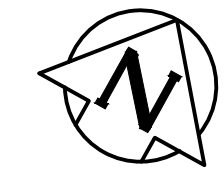


NOTE: CHAINAGES SHOWN ARE ALONG CENTRE LINE OF ROW

MOORE AVENUE

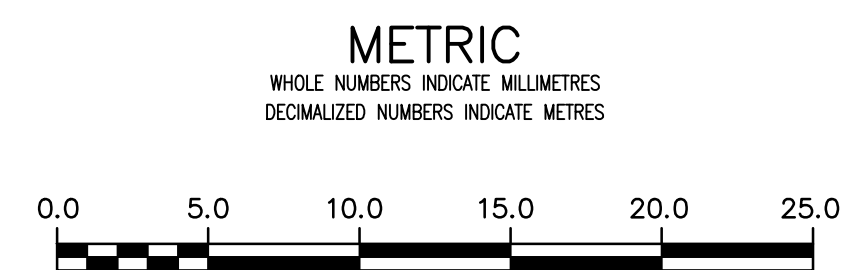


WATER SERVICE INFORMATION

ADDRESS	PIPE SIZE & MATERIAL (STREET)	PIPE SIZE & MATERIAL (PROP.)	SHORT & LONG MEASUREMENT	CORP. LOCATION	REMARKS
84 MOORE AVE	-	20	8.00 E OF W HOUSE LINE	-	RECONNECT SERVICE
RESIDENTIAL	-	CU	-	-	-
85 MOORE AVE	-	20	16.00 WEHL	-	RECONNECT SERVICE
RESIDENTIAL	-	CU	-	-	-
86 MOORE AVE	-	20	5.50 EWHL	-	RECONNECT SERVICE
RESIDENTIAL	-	CU	-	-	-
87 MOORE AVE	20	20	22.00 LR CR OF HSE	3.66 E OF S/C	RECONNECT SERVICE
RESIDENTIAL	CU	CU	49.5 W/1ST HYD W/DUNKIRK	-	-
88 MOORE AVE	20	20	2.00 E/WBL & 2.5 E/WLL	OPP S/C	RECONNECT SERVICE
RESIDENTIAL	CU	CU	27.74 W 1ST HYD W OF DUNKI	-	-
89 MOORE AVE	20	20	5.00 E WLL	1.60 W CS	RECONNECT SERVICE
RESIDENTIAL	CU	CU	14.40 E/HYDTØ120	-	-
90 MOORE AVE	20	20	4.00 W OF E HOUSE LINE	-	RECONNECT SERVICE
RESIDENTIAL	CU	CU	-	-	-
91 MOORE AVE	-	20	18.00 WE H/L	-	RECONNECT SERVICE
RESIDENTIAL	-	CU	-	-	-
94 MOORE AVE	-	20	7.00 W OF E HOUSE LINE	-	RECONNECT SERVICE
RESIDENTIAL	-	CU	-	-	-
95 MOORE AVE	-	20	18.50 WE H/L	-	RECONNECT SERVICE
RESIDENTIAL	-	CU	-	-	-
98 MOORE AVE	-	20	0.30 L/R	-	RECONNECT SERVICE
RESIDENTIAL	-	CU	-	-	-
99 MOORE AVE	-	20	18.00 EWHL	-	RECONNECT SERVICE
RESIDENTIAL	-	CU	-	-	-
100 MOORE AVE	-	20	0.91 L/L	USED EXIST	RECONNECT SERVICE
RESIDENTIAL	-	CU	4.57 CURB	-	-

\* SERVICES TO BE RENEWED TO R

NOTE: VALVES TO BE INSTALLED CLOCKWISE TO CLOSE



LOCATION APPROVED UNDERGROUND STRUCTURES		B.M. 84R723 ELEV. 231.197		N.E. Cor. Moore Ave. & Pulberry St., Tblt. on top of 0.05 m dia. x 2.4 m iron pipe, 3.05 m S. of N.L. of Moore Ave. & on E.L. of Pulberry St.	
SUPV. U/G STRUCTURES COMMITTEE	DATE	DESIGNED BY	RS	CHECKED BY	RS
NOTE:	LOCATION OF UNDERGROUND STRUCTURES AS SHOWN ARE BASED ON THE BEST INFORMATION AVAILABLE BUT NO GUARANTEE IS GIVEN THAT ALL EXISTING UTILITIES ARE SHOWN OR THAT THE GIVEN LOCATIONS ARE EXACT. CONFIRMATION OF EXISTENCE AND EXACT LOCATION OF ALL SERVICES MUST BE OBTAINED FROM THE INDIVIDUAL UTILITIES BEFORE PROCEEDING WITH CONSTRUCTION.	DRAWN BY	SC	APPROVED BY	RS
		SCALE:	HORIZONTAL 1:250	RELEASED FOR CONSTRUCTION	DATE
			VERTICAL 1:50		
		NO.	02 ISSUED FOR TENDER	2020.04.01	RS
			01 ISSUED FOR 60% REVIEW	2020.03.09	RS
		DATE	2019.01.15		



DESIGNED BY	RS	CHECKED BY	RS
DRAWN BY	SC	APPROVED BY	RS
SCALE:	HORIZONTAL 1:250	RELEASED FOR CONSTRUCTION	DATE
	VERTICAL 1:50		
DATE	2019.01.15		

ENGINEER'S SEAL  
ORIGINAL SEALED BY R.M. SHERLOCK P. ENG. 2020/04/01  
CONSULTANT DRAWING NUMBER C-216

**THE CITY OF WINNIPEG**  
WATER AND WASTE DEPARTMENT  
ENGINEERING DIVISION

2020 WATERMAIN RENEWALS  
CONTRACT 4  
MOORE AVENUE  
STA. 2+00 TO STA. 3+25

SHEET 18 OF 22  
CITY DRAWING NUMBER D-15675