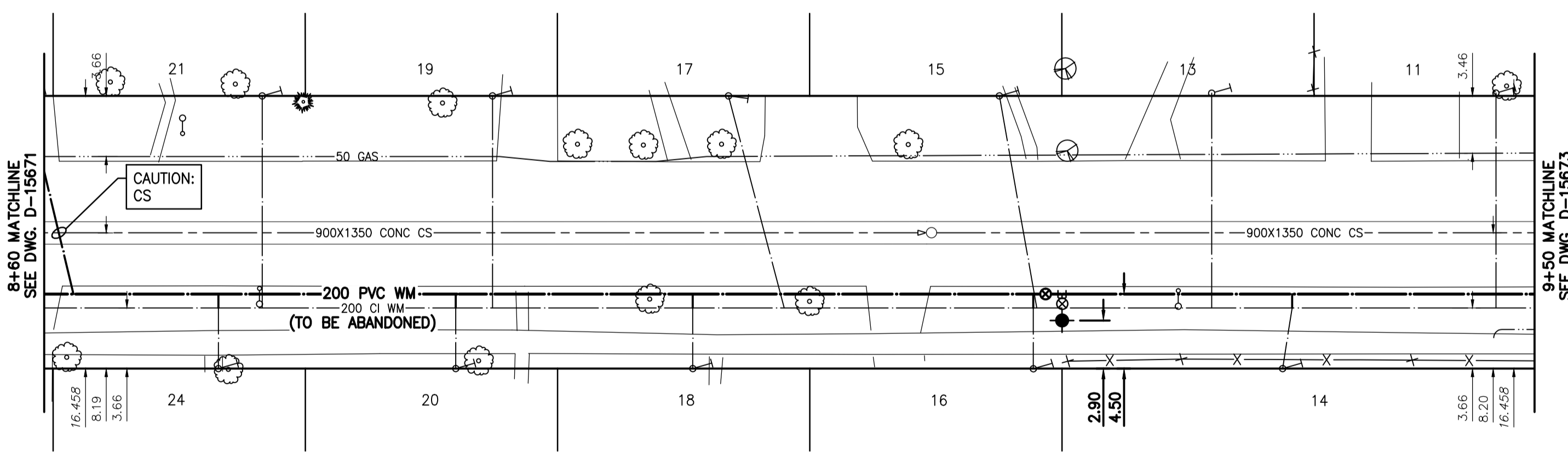


NOTE: CHAINAGES SHOWN ARE ALONG CENTRE LINE OF ROW

ROSEWARNE AVENUE

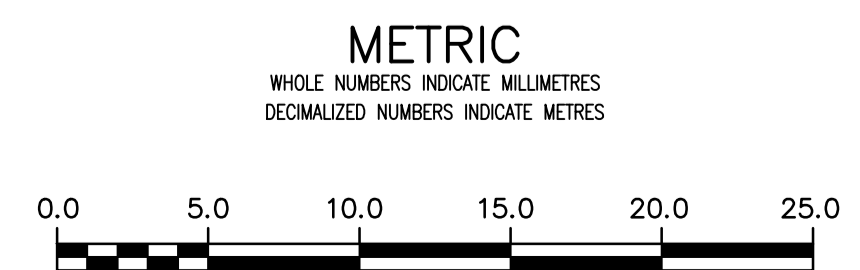


WATER SERVICE INFORMATION

ADDRESS	PIPE SIZE & MATERIAL (STREET)	PIPE SIZE & MATERIAL (PROP.)	SHORT & LONG MEASUREMENT	CORP. LOCATION	REMARKS
11 ROSEWARNE AVE	-	12	3.35 L/R	-	RECONNECT SERVICE
RESIDENTIAL	-	LEAD	63.40 W/WL ST. MARYS RD	-	RECONNECT SERVICE
13 ROSEWARNE AVE	-	12	5.79 E W H/L	-	RECONNECT SERVICE
RESIDENTIAL	-	LEAD	11.89 OUT FROM HSE	-	RECONNECT SERVICE
14 ROSEWARNE AVE	20	1.52 WEHL	0.61 E OF S/C	-	RECONNECT SERVICE
RESIDENTIAL	CU	LEAD	65.22 W/WL ST. MARYS RD	-	RECONNECT SERVICE
15 ROSEWARNE AVE	-	20	3.20 L/R	-	RECONNECT SERVICE
RESIDENTIAL	-	CU	93.42 W/WL ST. MARYS RD	-	RECONNECT SERVICE
16 ROSEWARNE AVE	-	12	1.83 R/L	-	RECONNECT SERVICE
RESIDENTIAL	-	CU	81.84 W/WL ST. MARYS RD	-	RECONNECT SERVICE
17 ROSEWARNE AVE	25	25	4.90 W/EPL	3.36 E OF S/C	RECONNECT SERVICE
RESIDENTIAL	CU	-	-	-	RECONNECT SERVICE
18 ROSEWARNE AVE	-	12	2.44 L/R	-	RECONNECT SERVICE
RESIDENTIAL	-	LEAD	67.82 W/WL ST. MARYS RD	-	RECONNECT SERVICE
19 ROSEWARNE AVE	-	20	4.50 L/R	-	RECONNECT SERVICE
RESIDENTIAL	-	LEAD	124.66 W/WL ST. MARYS RD.	-	RECONNECT SERVICE
20 ROSEWARNE AVE	-	20	6.20 WELL	-	RECONNECT SERVICE
RESIDENTIAL	-	CU	-	-	RECONNECT SERVICE
21 ROSEWARNE AVE	-	12	0.30 E/EHL	-	RECONNECT SERVICE
RESIDENTIAL	-	LEAD	6.10 W/EPL	-	RECONNECT SERVICE
24 ROSEWARNE AVE	-	12	21.60 LR CR OF HOUSE	-	RECONNECT SERVICE
RESIDENTIAL	-	CU	-	-	RECONNECT SERVICE

\* SERVICES TO BE RENEWED TO R

NOTE: VALVES TO BE INSTALLED CLOCKWISE TO CLOSE



LOCATION APPROVED UNDERGROUND STRUCTURES		B.M. 82R543 ELEV. 230.874	S.W. Cor. Kingston Row & Killarney St., Tbit. on top of 0.05 m dia. x 2.4 m iron pipe, 1.4 m N. of S.L. Kingston Row & 11.6 m W. of E.L. Killarney St.
SUPV. U/G STRUCTURES COMMITTEE	DATE		
NOTE: LOCATION OF UNDERGROUND STRUCTURES AS SHOWN ARE BASED ON THE BEST INFORMATION AVAILABLE BUT NO GUARANTEE IS GIVEN THAT ALL EXISTING UTILITIES ARE SHOWN OR THAT THE GIVEN LOCATIONS ARE EXACT. CONFIRMATION OF EXISTENCE AND EXACT LOCATION OF ALL SERVICES MUST BE OBTAINED FROM THE INDIVIDUAL UTILITIES BEFORE PROCEEDING WITH CONSTRUCTION.			
02	ISSUED FOR TENDER	2020.04.01	RS
01	ISSUED FOR 60% REVIEW	2020.03.09	RS
NO.	REVISIONS	DATE	BY



DESIGNED BY	RS	CHECKED BY	RS
DRAWN BY	SC	APPROVED BY	RS
SCALE: HORIZONTAL 1:250 VERTICAL 1:50		RELEASED FOR CONSTRUCTION	
DATE	2019.01.15	DATE	

ENGINEER'S SEAL  
ORIGINAL SEALED BY  
R.M. SHERLOCK  
P. ENG.  
2020/04/01  
CONSULTANT DRAWING NUMBER  
C-213



THE CITY OF WINNIPEG  
WATER AND WASTE DEPARTMENT  
ENGINEERING DIVISION

2020 WATERMAIN RENEWALS  
CONTRACT 4  
ROSEWARNE AVENUE  
STA. 8+60 TO  
STA. 9+50

SHEET 15 OF 22  
CITY DRAWING NUMBER  
D-15672