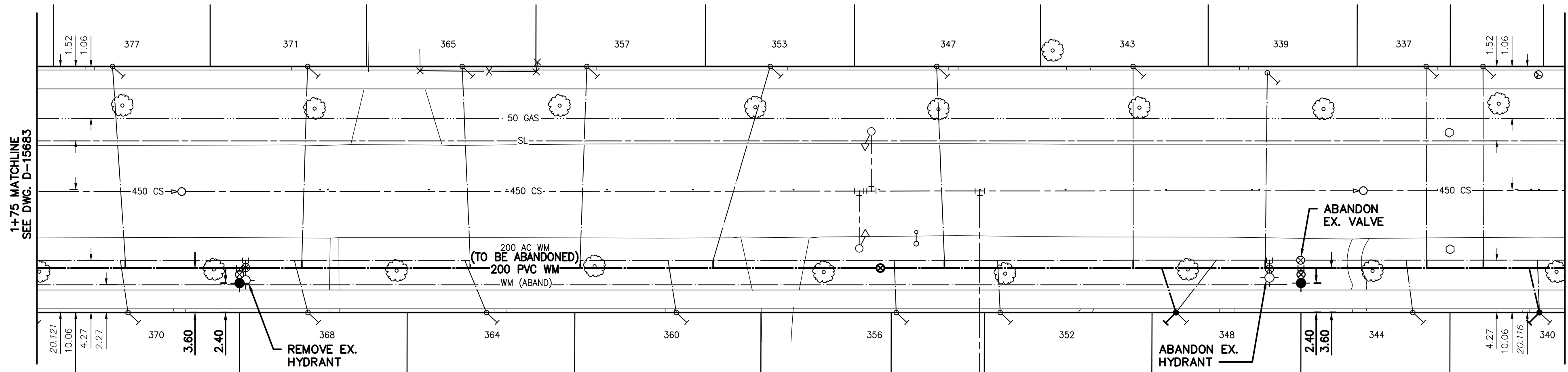
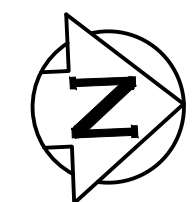


NOTE: CHAINAGES SHOWN ARE ALONG CENTRE LINE OF ROW

CENTENNIAL ST

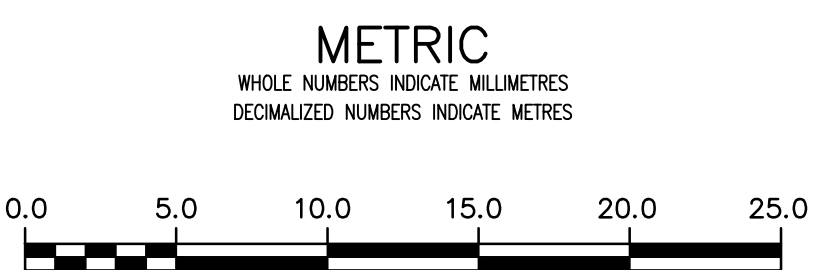


WATER SERVICE INFORMATION

ADDRESS	PIPE SIZE & MATERIAL (STREET)	PIPE SIZE & MATERIAL (PROP.)	SHORT & LONG MEASUREMENT	CORP. LOCATION	REMARKS
377 CENTENNIAL ST	20	20	101.6 S NPL 339 CENTENNIAL ST	9.8 S HYD OPP 371 CENTENNIAL ST	RECONNECT SERVICE
RESIDENTIAL	CU	LEAD	81.8 N/NL GROSVENOR AVE		
370 CENTENNIAL ST	20	20	92.9 S NPL 348 CENTENNIAL ST	10.2 S HYD OPP 371 CENTENNIAL ST	RECONNECT SERVICE
RESIDENTIAL	CU	CU	82.62 N/NL GROSVENOR AVE		
371 CENTENNIAL ST	20	20	86.0 S NPL 339 CENTENNIAL ST	4.6 N HYD OPP 371 CENTENNIAL ST	RECONNECT SERVICE
RESIDENTIAL	CU	CU	97.35 N/NL GROSVENOR AVE		
368 CENTENNIAL ST	20	20	78.3 S NPL 348 CENTENNIAL ST	4 N HYD OPP 371 CENTENNIAL ST	RECONNECT SERVICE
RESIDENTIAL	CU	CU	-		
365 CENTENNIAL ST	20	20	73 MSNPL 339 CENTENNIAL ST	18.4 N HYD OPP 371 CENTENNIAL ST	RECONNECT SERVICE
RESIDENTIAL	CU	CU	110.37 N/NL GROSVENOR AVE		
364 CENTENNIAL ST	20	20	63.7 S NPL 348 CENTENNIAL ST	17.9 N HYD OPP 371 CENTENNIAL ST	RECONNECT SERVICE
RESIDENTIAL	CU	CU	367.0 N/NL GROSVENOR AVE		
360 CENTENNIAL ST	20	20	48.1 S NPL 348 CENTENNIAL ST	34.6 N HYD OPP 371 CENTENNIAL ST	RECONNECT SERVICE
RESIDENTIAL	CU	CU	127.44 N/NL GROSVENOR AVE		
357 CENTENNIAL ST	20	20	63.2 S NPL 339 CENTENNIAL ST	27.4 N HYD OPP 371 CENTENNIAL ST	RECONNECT SERVICE
RESIDENTIAL	CU	CU	120.18 N/NL GROSVENOR AVE		
356 CENTENNIAL ST	-	12	30.1 S NPL 348 CENTENNIAL ST	30.7 S HYD @ 348 CENTENNIAL ST	RECONNECT SERVICE
RESIDENTIAL	CU	LEAD	144.82 N/NL GROSVENOR AVE		
353 CENTENNIAL ST	20	20	47.9 MSNPL 339 CENTENNIAL ST	38.3 N HYD OPP 371 CENTENNIAL ST	RECONNECT SERVICE
RESIDENTIAL	CU	CU	5.64 N 1ST HYD N GROSVENOR AVE		
352 CENTENNIAL ST	20	20	3.0 S/SHL	2.00 R/S/C	RECONNECT SERVICE
RESIDENTIAL	CU	CU	505.0 N/NL GROSVENOR		
347 CENTENNIAL ST	20	20	34.3 S NPL 339 CENTENNIAL ST	26.6 S HYD @348 CENTENNIAL ST	RECONNECT SERVICE
RESIDENTIAL	CU	CU	149.24 N/NL GROSVENOR AVE		
343 CENTENNIAL ST	20	20	18.39 S NPL 339 CENTENNIAL ST	11.2 S HYD @348 CENTENNIAL ST	RECONNECT SERVICE
RESIDENTIAL	CU	CU	164.39 N/NL GROSVENOR AVE		
* 340 CENTENNIAL ST	20	20	3.26 S/NHL	0.46 S/C	RECONNECT SERVICE
RESIDENTIAL	LEAD	CU	168.14 S/SL KINGSWAY		
* 340 CENTENNIAL ST	20	20	1.37 S/NHL	OPP S/C	RECONNECT SERVICE
RESIDENTIAL	LEAD	CU	187.5 N/NL GROSVENOR AVE		
339 CENTENNIAL ST	20	20	7.46 S NPL 339 CENTENNIAL ST	0.4 S HYD @348 CENTENNIAL ST	RECONNECT SERVICE
RESIDENTIAL	CU	CU	191.16 S/SL KINGSWAY		
* 348 CENTENNIAL ST	20	20	7.3 S NPL 348 CENTENNIAL ST	4.4 S HYD @ 348 CENTENNIAL ST	RENEW SERVICE
RESIDENTIAL	LEAD	CU	171.49 N/NL GROSVENOR AVE		
337 CENTENNIAL ST	20	20	1.37 S/NHL	OPP S/C	RECONNECT SERVICE
RESIDENTIAL	CU	CU	59.15 N 1ST HYD N GROSVENOR AVE		
335 CENTENNIAL ST	20	20	1.83 N/SHL	OPP S/C	RECONNECT SERVICE
RESIDENTIAL	CU	CU	170.43 S/SL KINGSWAY		

* SERVICES TO BE RENEWED TO R

NOTE: VALVES TO BE INSTALLED COUNTER-CLOCKWISE TO CLOSE



LOCATION APPROVED UNDERGROUND STRUCTURES

SUPV. U/G STRUCTURES COMMITTEE DATE

NOTE: LOCATION OF UNDERGROUND STRUCTURES AS SHOWN ARE BASED ON THE BEST INFORMATION AVAILABLE BUT NO GUARANTEE IS GIVEN THAT ALL EXISTING UTILITIES ARE SHOWN OR THAT THE GIVEN LOCATIONS ARE EXACT. CONFIRMATION OF EXISTENCE AND EXACT LOCATION OF ALL SERVICES MUST BE OBTAINED FROM THE INDIVIDUAL UTILITIES BEFORE PROCEEDING WITH CONSTRUCTION.

B.M. Z51-35 ELEV. 234.061	S.E. Cor. Kingsway & Beaverbrook St., Brass plug in 7.3m Conc. pile 2.5m N. of S.L. Kingsway & 0.6m E. of E.L. Beaverbrook St.		
02	ISSUED FOR TENDER	2020.04.01	RS
01	ISSUED FOR 60% REVIEW	2020.03.09	RS
NO.	REVISIONS	DATE	BY



DESIGNED BY RS CHECKED BY RS

DRAWN BY SC APPROVED BY RS

SCALE: HORIZONTAL 1:250 VERTICAL 1:50

RELEASED FOR CONSTRUCTION

DATE 2019.01.15 DATE

ENGINEER'S SEAL

ORIGINAL SEALED BY R.M. SHERLOCK P. ENG. 2020/04/01

CONSULTANT DRAWING NUMBER C-203

TENDER NUMBER: 118-2020

THE CITY OF WINNIPEG
WATER AND WASTE DEPARTMENT
ENGINEERING DIVISION

2020 WATERMAIN RENEWALS
CONTRACT 2
CENTENNIAL STREET
STA. 1+75 TO STA. 3+00

SHEET 05 OF 19
CITY DRAWING NUMBER D-15684

FILE PATH: V:\112\active\11218970\0300_drawing\0302_sheet_files\02_civil\