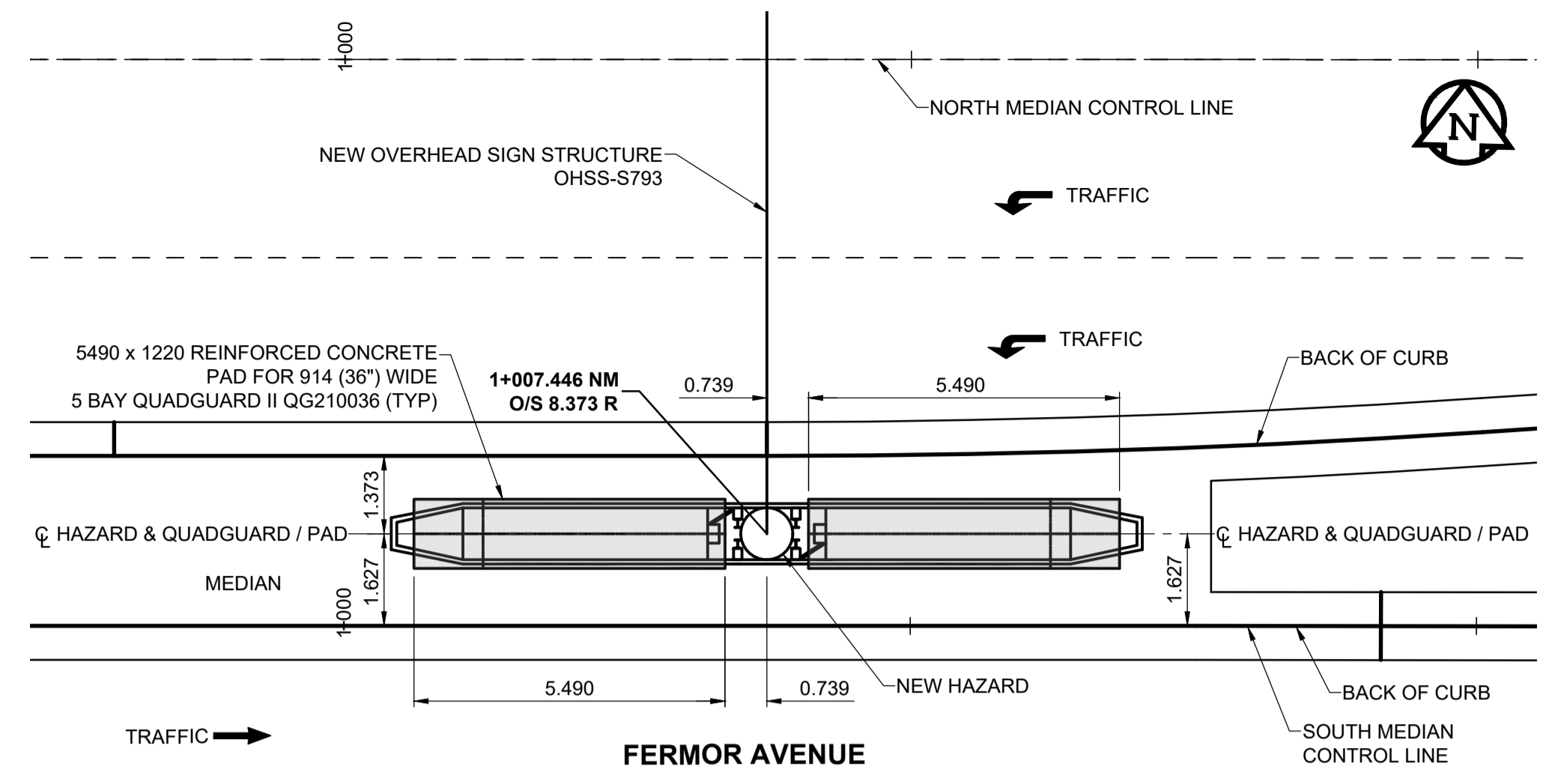


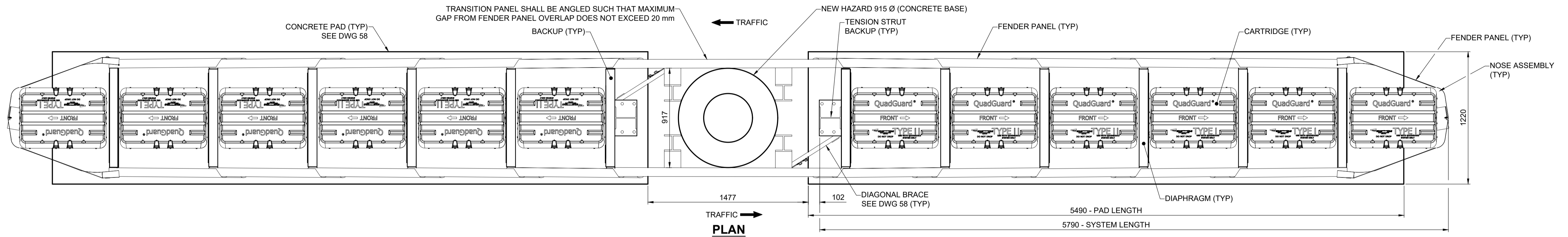
**PLAN - GUARDRAIL LAYOUT**  
 WEST OF LAGIMODIERE BOULEVARD

SCALE: 1:100  
 0 2.5 5.0m

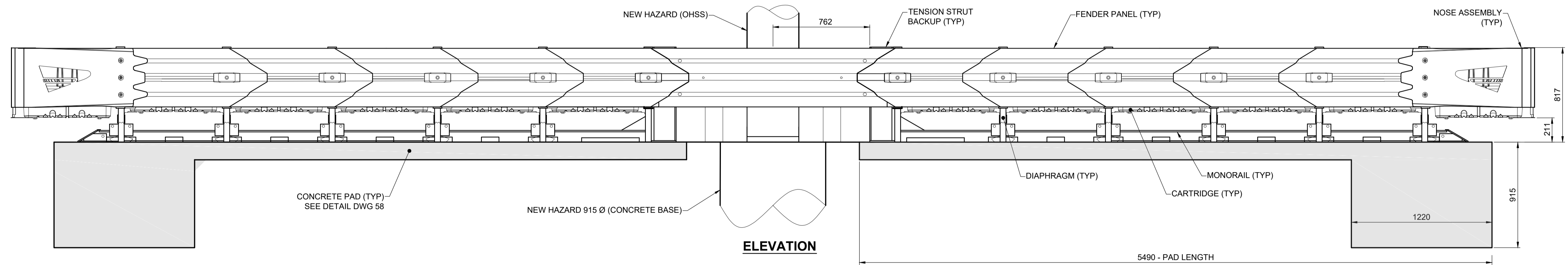


**PLAN - GUARDRAIL LAYOUT**  
 EAST OF LAGIMODIERE BOULEVARD

SCALE: 1:100  
 0 2.5 5.0m



**PLAN**



**ELEVATION**

**CRASH CUSHION WITH TENSION STRUT BACKUP (QG210036)**

SCALE: 1:20  
 0 0.5 1.0m

ENGINEER'S SEAL FOR SELECTION OF END TREATMENT ONLY. DESIGN AND INSTALLATION SHALL BE AS PER MANUFACTURER'S DETAILS.



TENDER No. 8-2019

**LOCATION APPROVED**  
 UNDERGROUND STRUCTURES

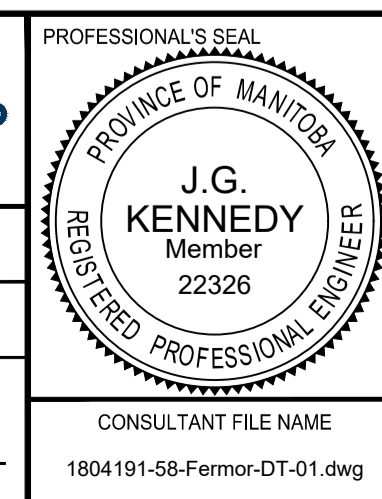
DATE: \_\_\_\_\_

**NOTE:**  
 LOCATION OF UNDERGROUND STRUCTURES AS SHOWN ARE BASED ON THE BEST INFORMATION AVAILABLE BUT NO GUARANTEE IS GIVEN THAT ALL EXISTING UTILITIES ARE SHOWN OR THAT THE GIVEN LOCATIONS ARE EXACT. CONFIRMATION OF EXISTENCE AND EXACT LOCATION OF ALL SERVICES MUST BE OBTAINED FROM THE INDIVIDUAL UTILITIES BEFORE PROCEEDING WITH CONSTRUCTION.

GBM ELEV	55-015	233.170
C	ISSUED FOR TENDER	19/03/22 JGK
B	ISSUED FOR CLIENT REVIEW	19/02/15 JGK
A	ISSUED FOR 66% CLIENT REVIEW	18/12/21 JGK
No.	REVISIONS	YY/MM/DD BY DATE

**MORRISON HERSHFIELD**

DESIGNED BY	JGK	CHECKED BY	RPB
DRAWN BY	DML	APPROVED BY	BWB
RELEASED FOR CONSTRUCTION	N/A		
HOR SCALE			
VERT SCALE			
DATE	19/03/22		



**THE CITY OF WINNIPEG**  
 PUBLIC WORKS DEPARTMENT  
 ENGINEERING DIVISION

2019/2020 REGIONAL STREET RENEWAL PROGRAM  
**FERMOR AVENUE**  
 FROM LAGIMODIERE BOULEVARD  
 TO PLESSIS ROAD (CITY BOUNDARY)  
 QUADGUARD LAYOUT PLANS & DETAILS

CITY DRAWING NUMBER	P-3501-58
SHEET	58 OF 63
DRAWING No.	58

**METRIC**  
 WHOLE NUMBERS INDICATE MILLIMETRES  
 DECIMALIZED NUMBERS INDICATE METRES