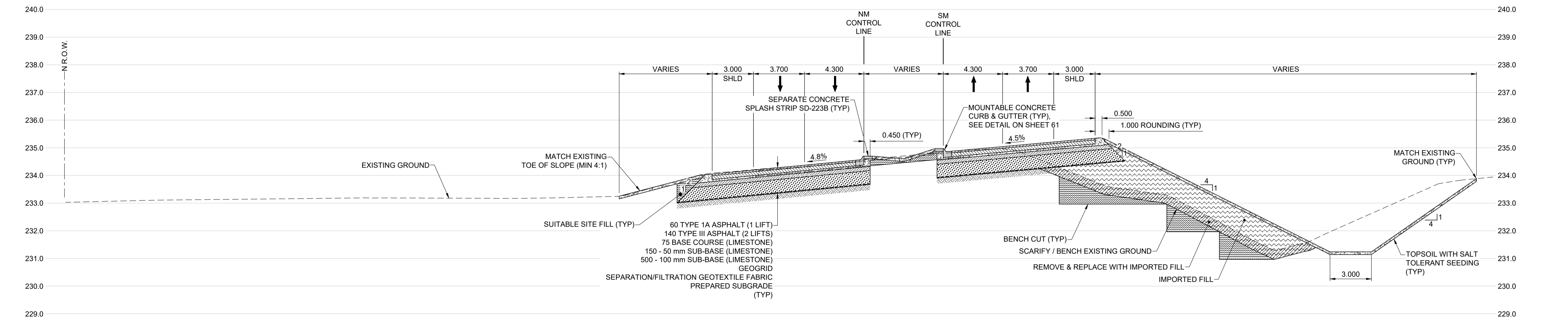
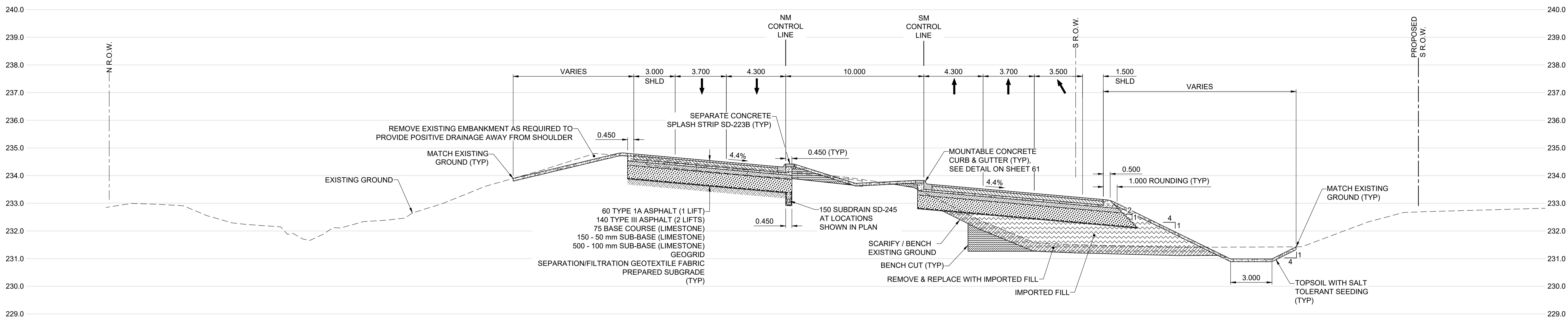


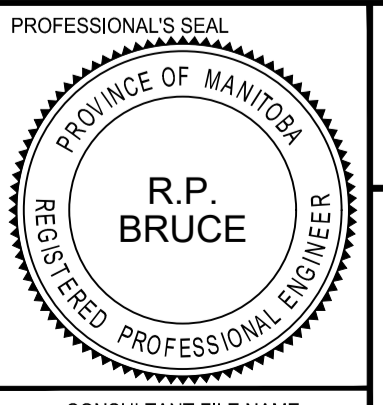
P:2018\1804191\20192020 Regional St Renew Ferra\05_CAD\07_Sheets\1804191-48-Ferra-XS-48.dwg Last Saved: 27/12/2019 10:00 AM by kbrnard Plotted: 3/22/2019 8:42 AM by Daniel Daszpod



TENDER No. 8-2019

THE CITY OF WINNIPEG
PUBLIC WORKS DEPARTMENT
ENGINEERING DIVISION

2019/2020 REGIONAL STREET RENEWAL PROGRAM
FERMOR AVENUE
FROM LAGIMODIERE BOULEVARD
TO PLESSIS ROAD (CITY BOUNDARY)



CITY DRAWING NUMBER
 P-3501-48

SHEET 48 OF 63
 DRAWING No. **48**

LOCATION APPROVED
UNDERGROUND STRUCTURES
 SUPR. U/G STRUCTURES COMMITTEE DATE
NOTE:
 LOCATION OF UNDERGROUND STRUCTURES AS SHOWN ARE BASED ON THE BEST INFORMATION AVAILABLE BUT NO GUARANTEE IS GIVEN THAT ALL EXISTING UTILITIES ARE SHOWN OR THAT THE GIVEN LOCATIONS ARE EXACT. CONFIRMATION OF EXISTENCE AND EXACT LOCATION OF ALL SERVICES MUST BE OBTAINED FROM THE INDIVIDUAL UTILITIES BEFORE PROCEEDING WITH CONSTRUCTION.

GBM ELEV	55-015	233.170
C	ISSUED FOR TENDER	19/03/22 RPB
B	ISSUED FOR CLIENT REVIEW	19/02/15 RPB
A	ISSUED FOR 66% CLIENT REVIEW	18/12/21 RPB
No.	REVISIONS	YY/MM/DD BY DATE

MORRISON HERSHFIELD

DESIGNED BY	WRJ	CHECKED BY	RPB
DRAWN BY	DML	APPROVED BY	BWB
HORIZ SCALE		1:150	
VERT SCALE		1:75	
RELEASED FOR CONSTRUCTION			
N/A			
DATE		19/03/22	

CONSULTANT FILE NAME
 1804191-48-Ferra-XS-48.dwg

METRIC
 WHOLE NUMBERS INDICATE MILLIMETRES
 DECIMALIZED NUMBERS INDICATE METRES

CROSS SECTIONS
G & H