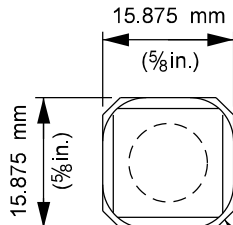


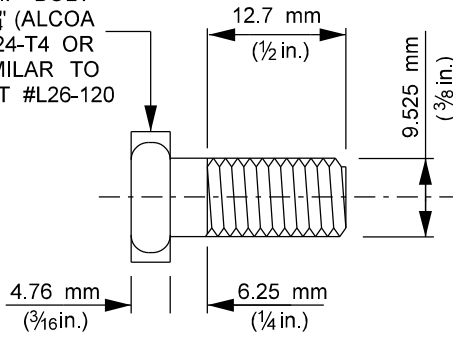
APPENDIX 'D'

OHSS CLIP AND BOLT DETAILS



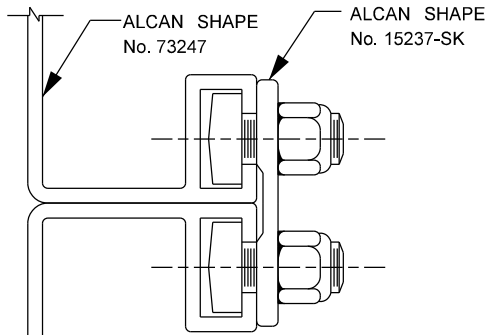
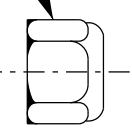
TOP VIEW
PANEL CLIP BOLT

PANEL CLIP BOLT
3/8" - 16 x 3/4" (ALCOA
ALLOY 2024-T4 OR
EQUIV.) SIMILAR TO
ALCOA PART #L26-120

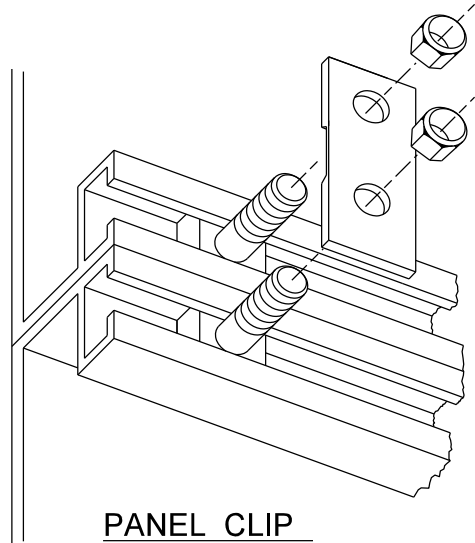


PROFILE VIEW
PANEL CLIP BOLT

PANEL CLIP LOCKNUT
3/8" - 16 (ALCOA ALLOY
2017-T4 OR EQUIV.)

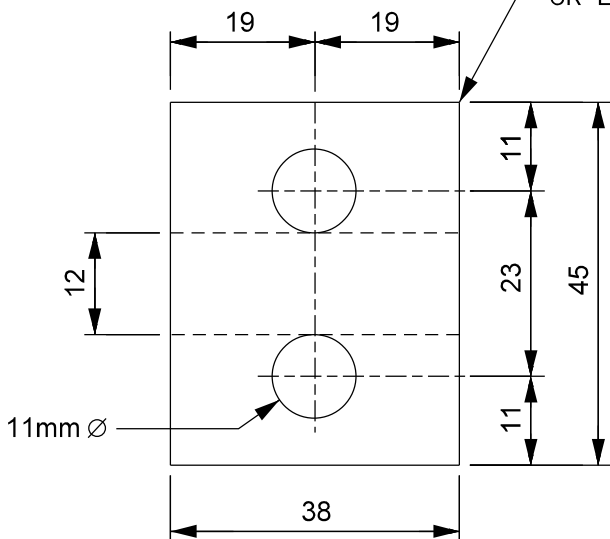


PANEL CLIP
SIDE ASSEMBLY

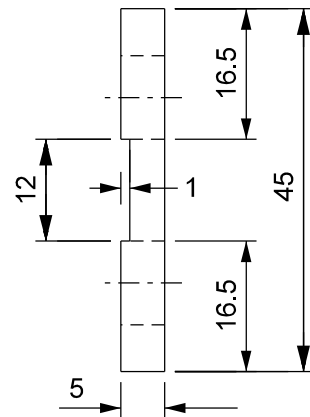


PANEL CLIP
ASSEMBLY DETAIL

ALCOA ALLOY
6061-T6 OR 6351-T6
OR EQUIVALENT



PANEL CLIP




SIDE VIEW

NOTE:
ALL DIMENSIONS SHOWN ARE
APPROXIMATE AND ARE NOT FOR
MANUFACTURING PURPOSES.

ALLOY 6061-T6

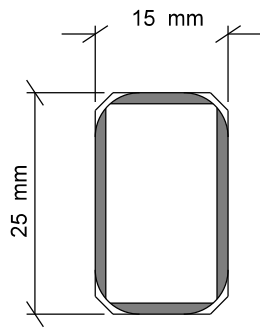
REVISIONS	DATE	DESCRIPTION	BY
2005/10		SIDE VIEW ADDED	AME
11/08		RENUMBERED	DCC
02/10		ALLOY SPECIFIED	DCC

Manitoba 
**Infrastructure and
Transportation**
TRAFFIC ENGINEERING

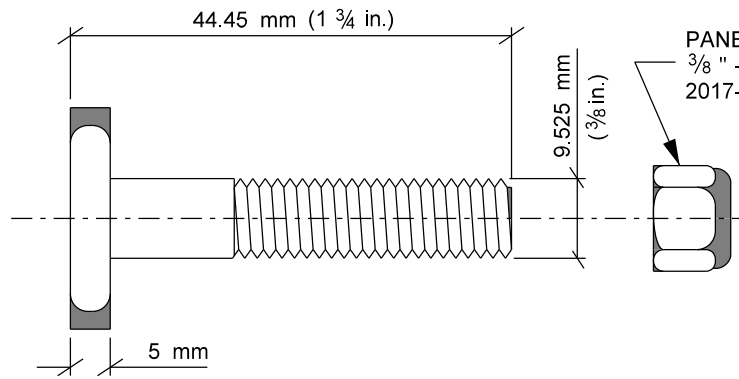
**PANEL CLIP AND BOLT
DETAILS**

ORIGINAL
APPROVED BY: _____

SCALE:	N.T.S.
DATE:	11-2004
PREP. BY:	D.G.C.
TE-045H	

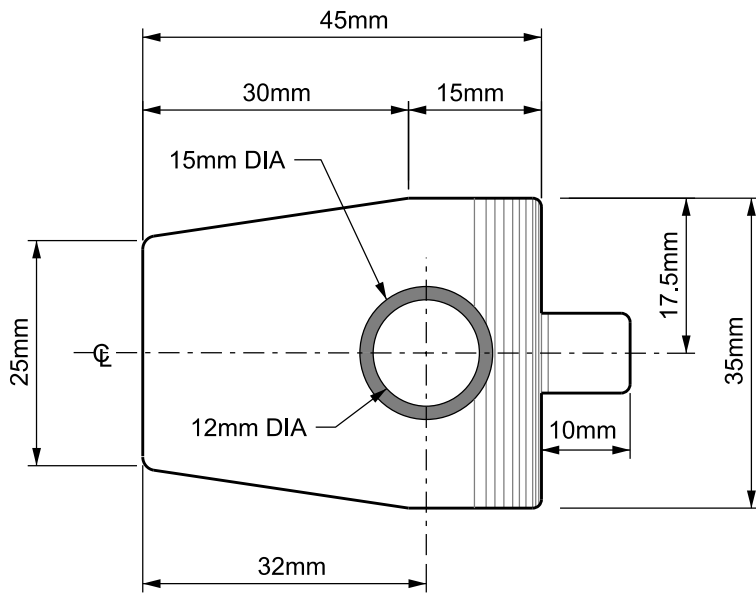


PLAN VIEW
POST CLIP BOLT

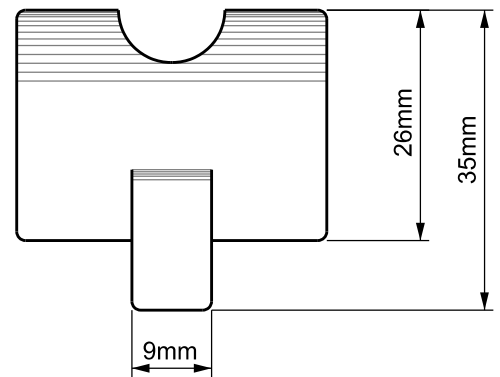


SIDE VIEW
POST CLIP BOLT

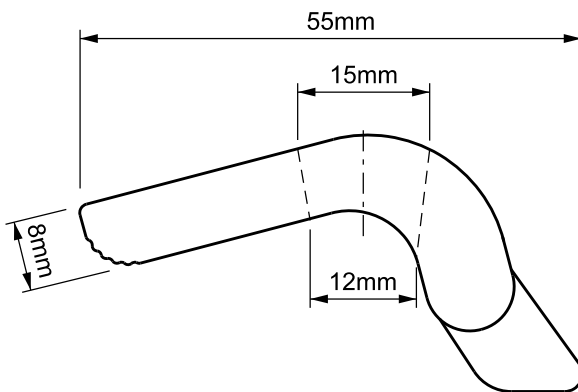
PANEL CLIP LOCKNUT
3/8" - 16 (ALCOA ALLOY
2017-T4 OR EQUIV.)



POST CLIP
PLAN



POST CLIP
END



POST CLIP
ELEVATION

NOTE: ALUMINUM ALLOY 6356T

REVISIONS	DATE	DESCRIPTION	BY	DC
	2010-06	REDRAWN	DC	

Manitoba
Infrastructure and
Transportation
TRAFFIC ENGINEERING

POST CLIP AND BOLT
DETAILS

ORIGINAL
APPROVED BY: _____

SCALE: N.T.S.
DATE: 02-2003
PREP. BY: DGC

TE-045i