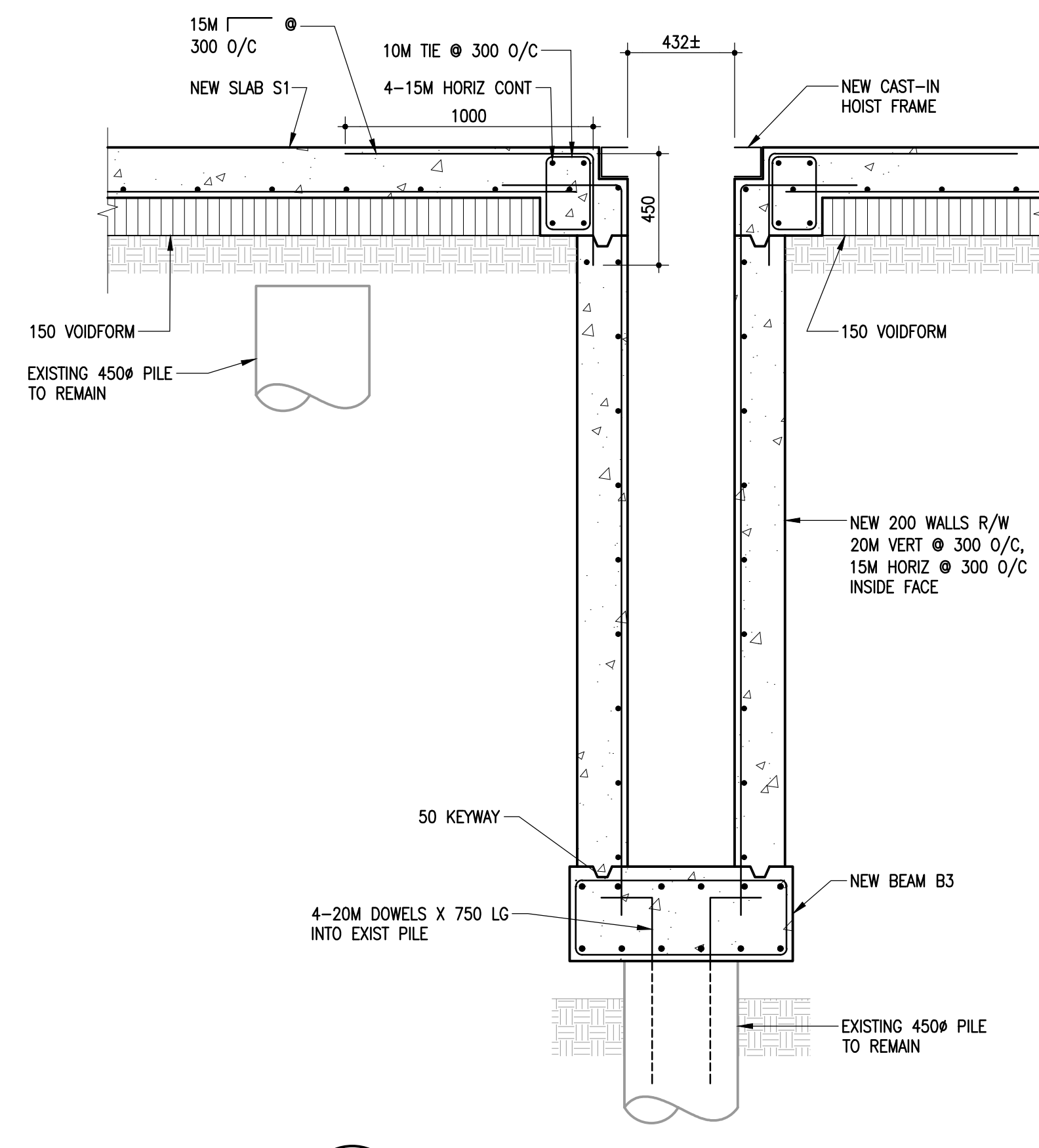
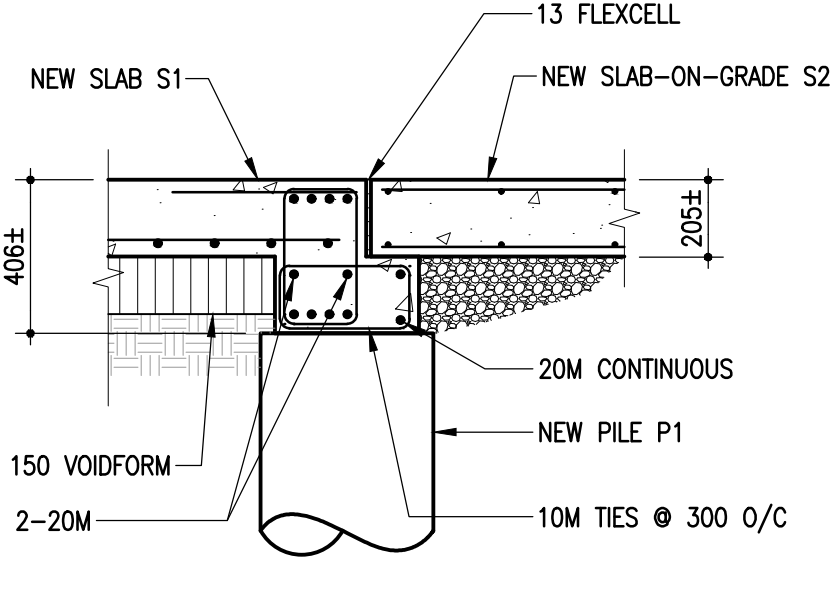


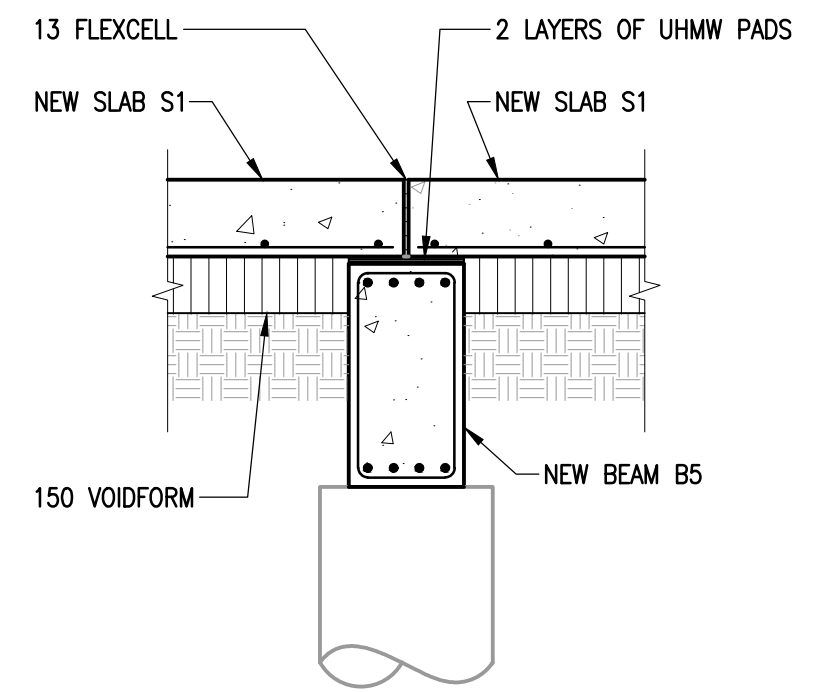
**1 SECTION THROUGH BUS HOIST**  
S2.3 S4.2 1:20



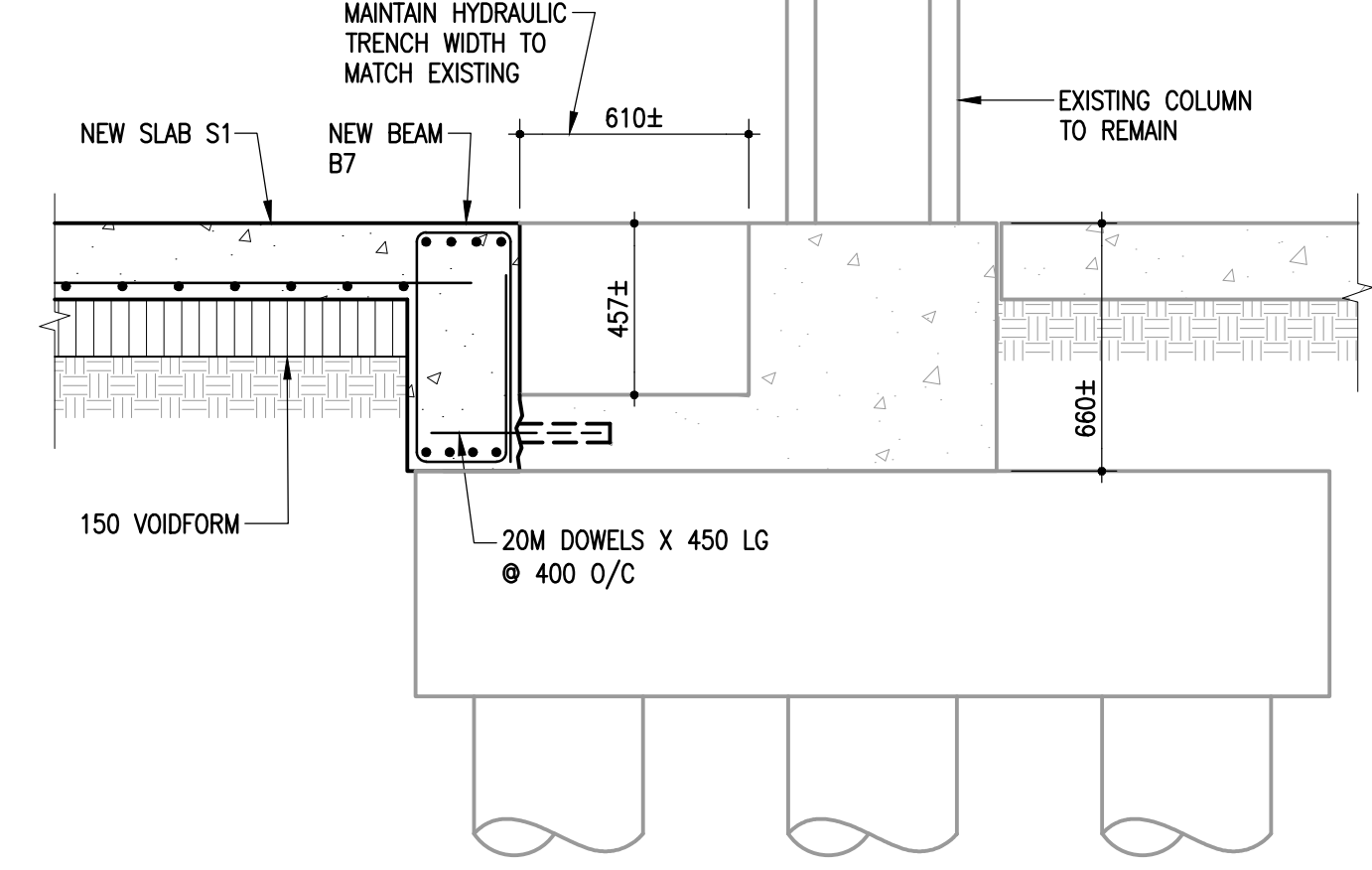
**2 SECTION THROUGH SIDE PIT**  
S2.2 S4.2 1:20



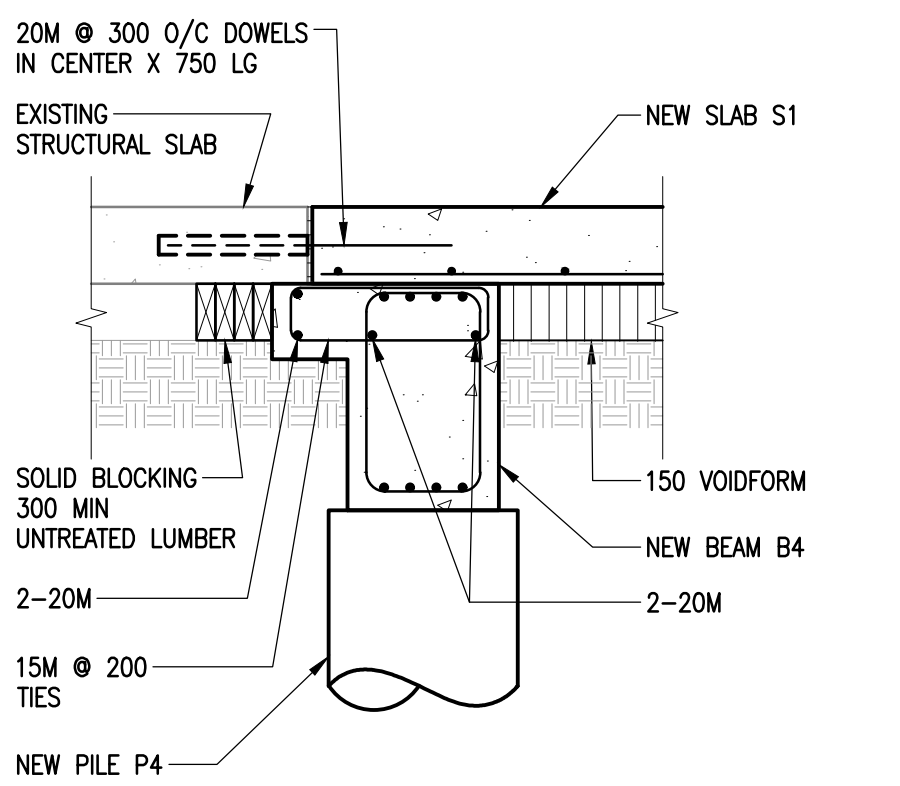
**3 JOINT SECTION**  
S2.2 S4.2 1:20



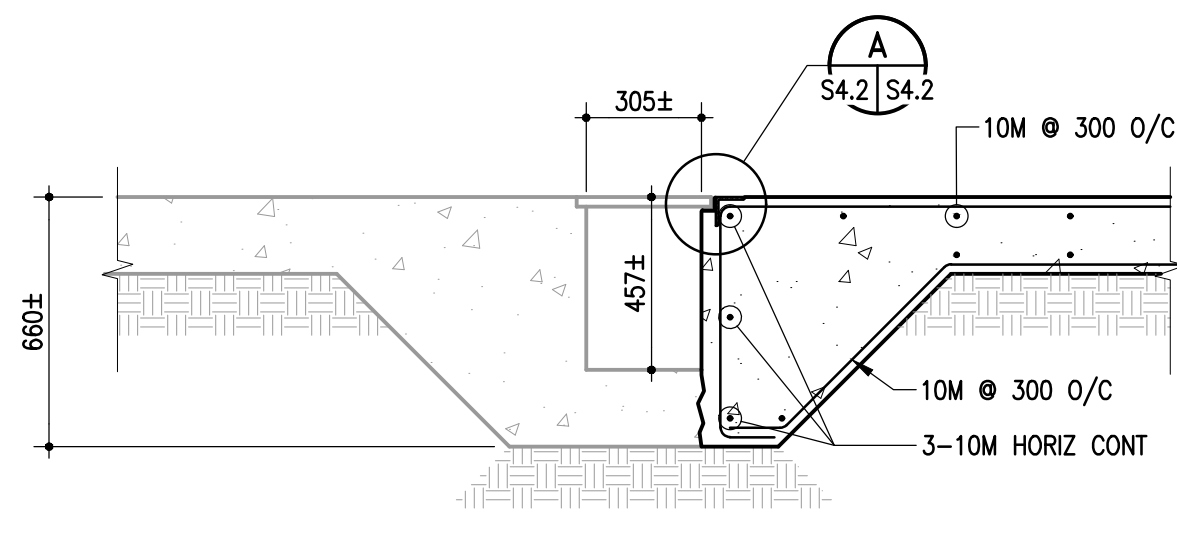
**4 EXPANSION JOINT SECTION**  
S2.2 S4.2 1:20



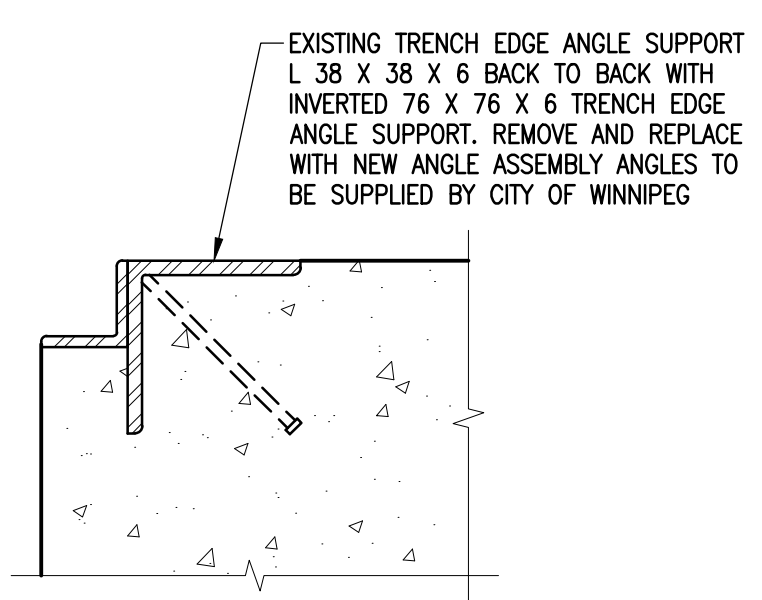
**5 HYDRAULIC TRENCH SECTION**  
S2.2 S4.2 1:20



**6 NEW - EXIST JOINT SECTION**  
S2.2 S4.2 1:20



**7 NEW - DRAINAGE TRENCH SECTION**  
S2.2 S4.2 1:20



**A SECTION**  
S4.2 S4.2 1:10

The General Contractor shall check & verify all dimensions and report any errors or omissions to the designers.

No.	Date	Issue/Revision	By
0	2019-08-21	ISSUED FOR BID	IM

Consultant

300-275 Carlton Street  
Winnipeg, Manitoba R3C 5R6  
T 204-943-7501  
F 204-943-7507



**Crosier Kilgour & Partners Ltd.**  
CONSULTING STRUCTURAL ENGINEERS

Project  
**WINNIPEG TRANSIT GARAGE BUILDING**  
HOIST REPLACEMENT PROGRAM  
421 OSBORNE STREET  
WINNIPEG, MANITOBA

Sheet Title  
**NEW DETAILS**

File	2018-1170	Date	2019-08-21
------	-----------	------	------------

Design	IM	Drawn	JSR
--------	----	-------	-----

Revision	Sheet No.
----------	-----------

**0 S4.2**