

NEW PARTIAL PILING PLAN

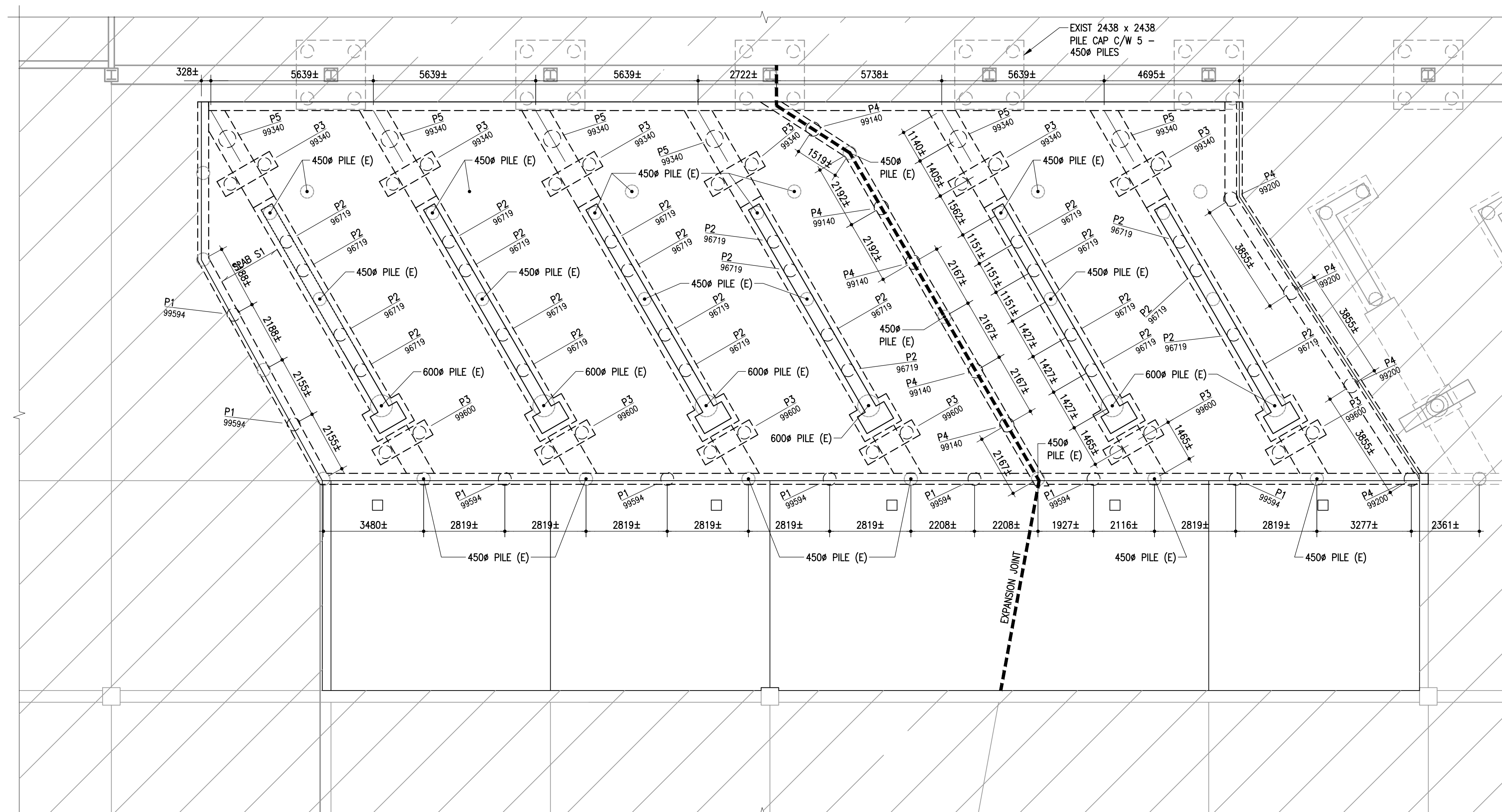
1 : 100

DESIGN LOADS

FLOOR LL = 12.0 kPa
 FLOOR DL = 4.8 kPa
 HOIST LL = 112 kPa

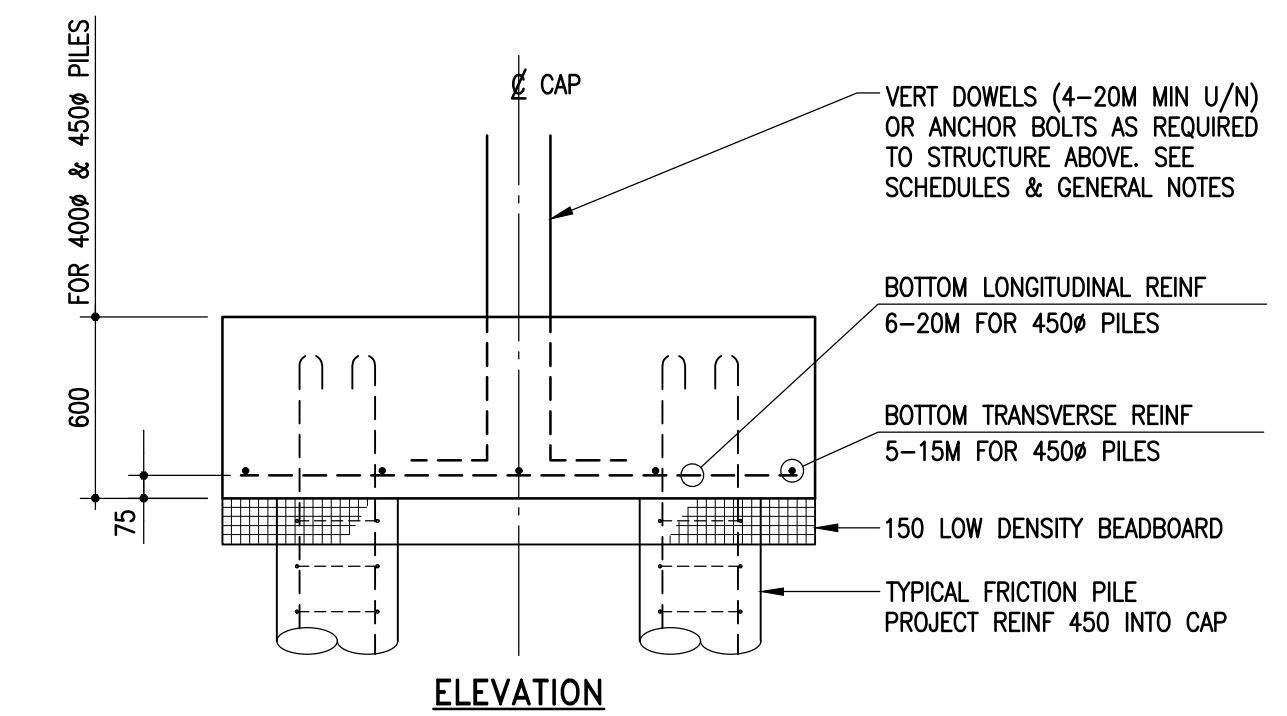
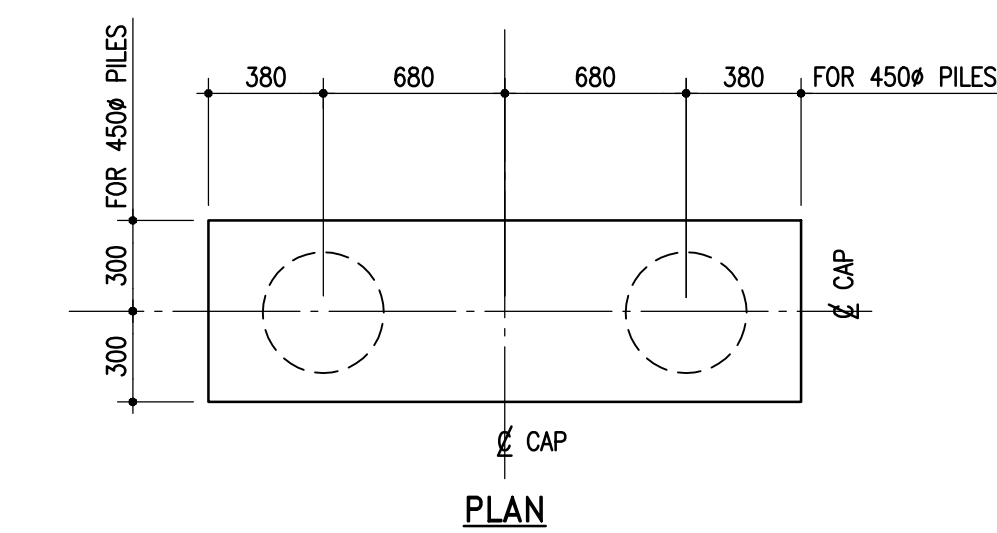
LEGEND

- HOIST NUMBER



1 NEW PHASE 1 PILING PLAN

S2.2/S2.2 1:100



DOUBLE PILE CAP DETAIL

1 : 25

PILE SCHEDULE

MARK	DIAMETER & LENGTH
P1	450# x 8000
P2	450# x 10000
P3	2 - 450# x 11000
P4	500# x 12000
P5	600# x 14000

- ALL PILE ELEVATIONS SHOWN IN PLANS ARE TOP OF PILE OR TOP OF PILE CAP
- SEE A/54.3 FOR PILE CAP DETAIL

The General Contractor shall check & verify all dimensions and report any errors or omissions to the designers.

No.	Date	Issue/Revision	By
0	2019-08-21	ISSUED FOR BID	IM

Consultant

300-275 Carlton Street
 Winnipeg, Manitoba R3C 5R6
 T 204-943-7501
 F 204-943-7507



Crosier Kilgour & Partners Ltd.
 CONSULTING STRUCTURAL ENGINEERS

Project
WINNIPEG TRANSIT GARAGE BUILDING
 HOIST REPLACEMENT PROGRAM
 421 OSBORNE STREET
 WINNIPEG, MANITOBA

Sheet Title
**NEW PARTIAL PILING PLAN,
 NEW PHASE 1 PILING PLAN & SCHEDULES**

File 2018-1170 Date 2019-08-21

Design IM Drawn JSR

Revision Sheet No.

0 S2.2