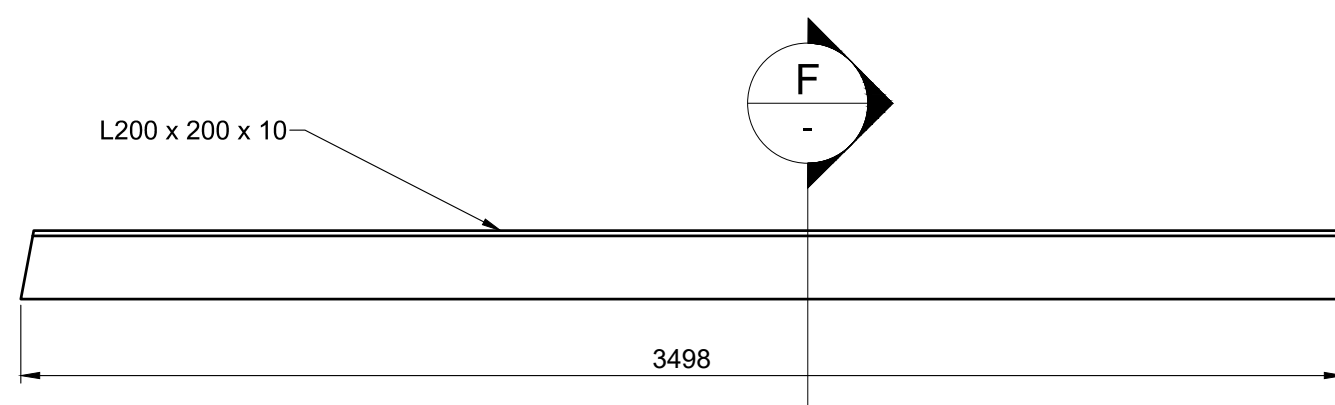
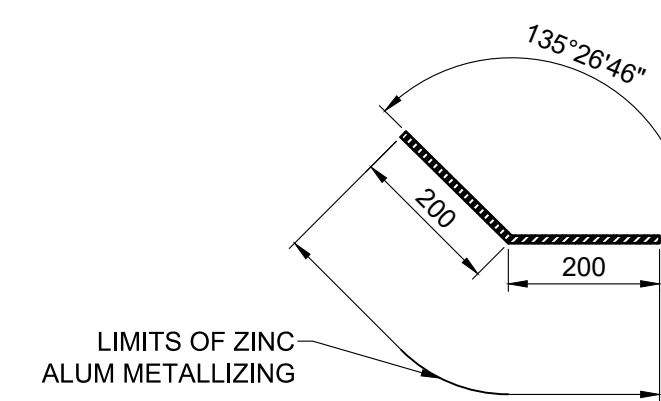
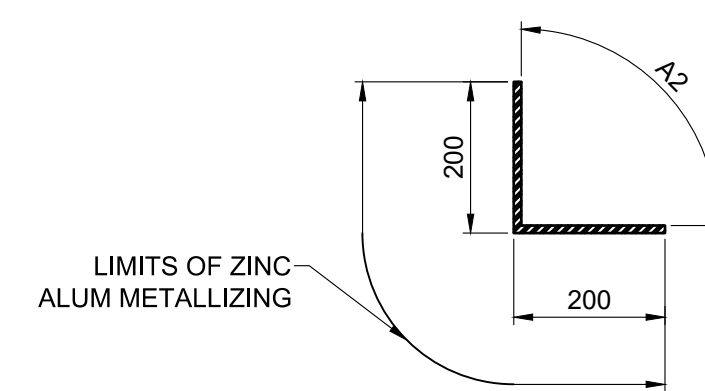
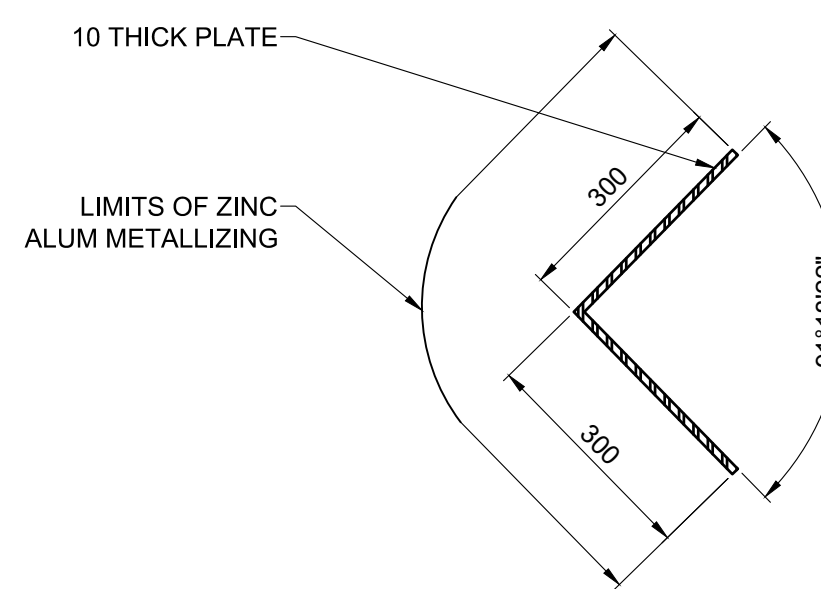
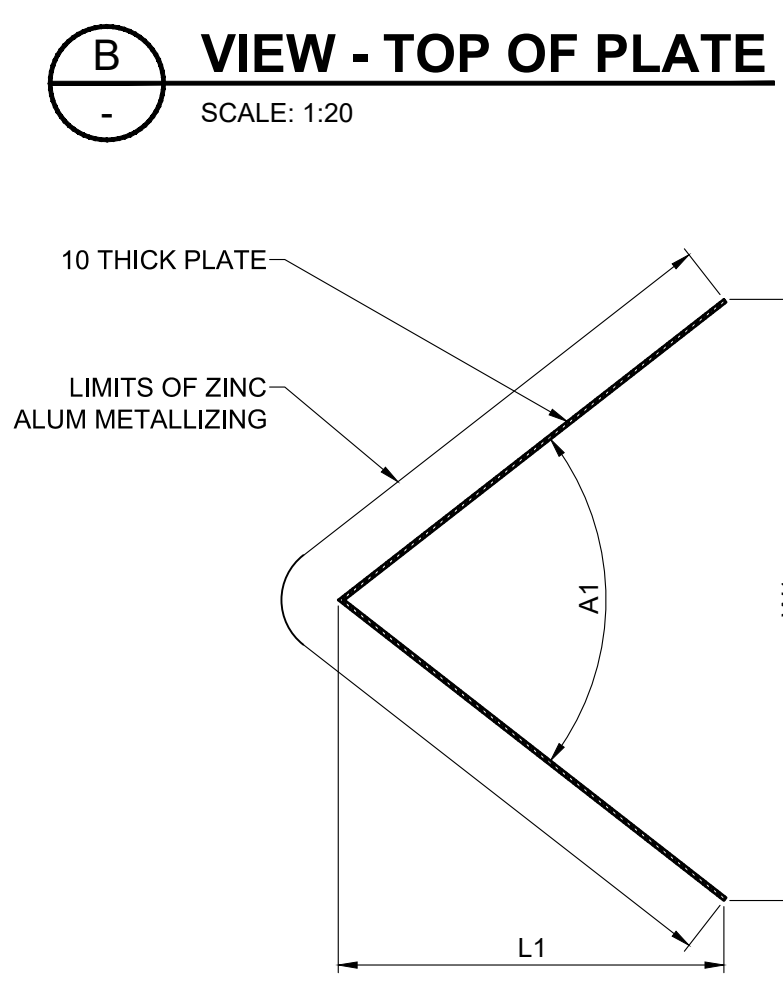
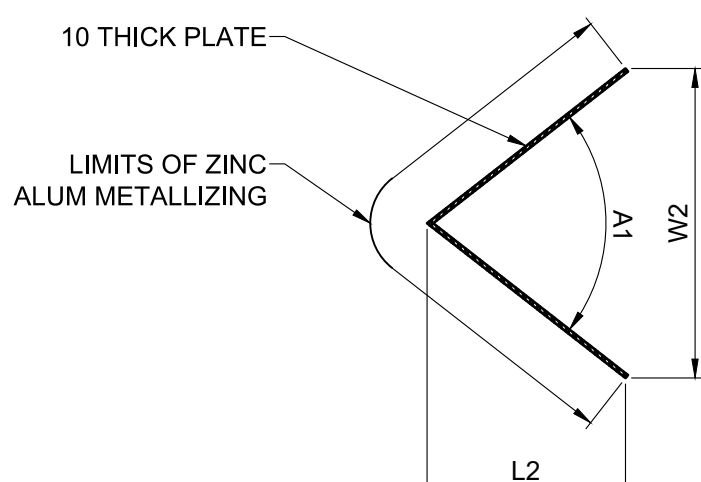
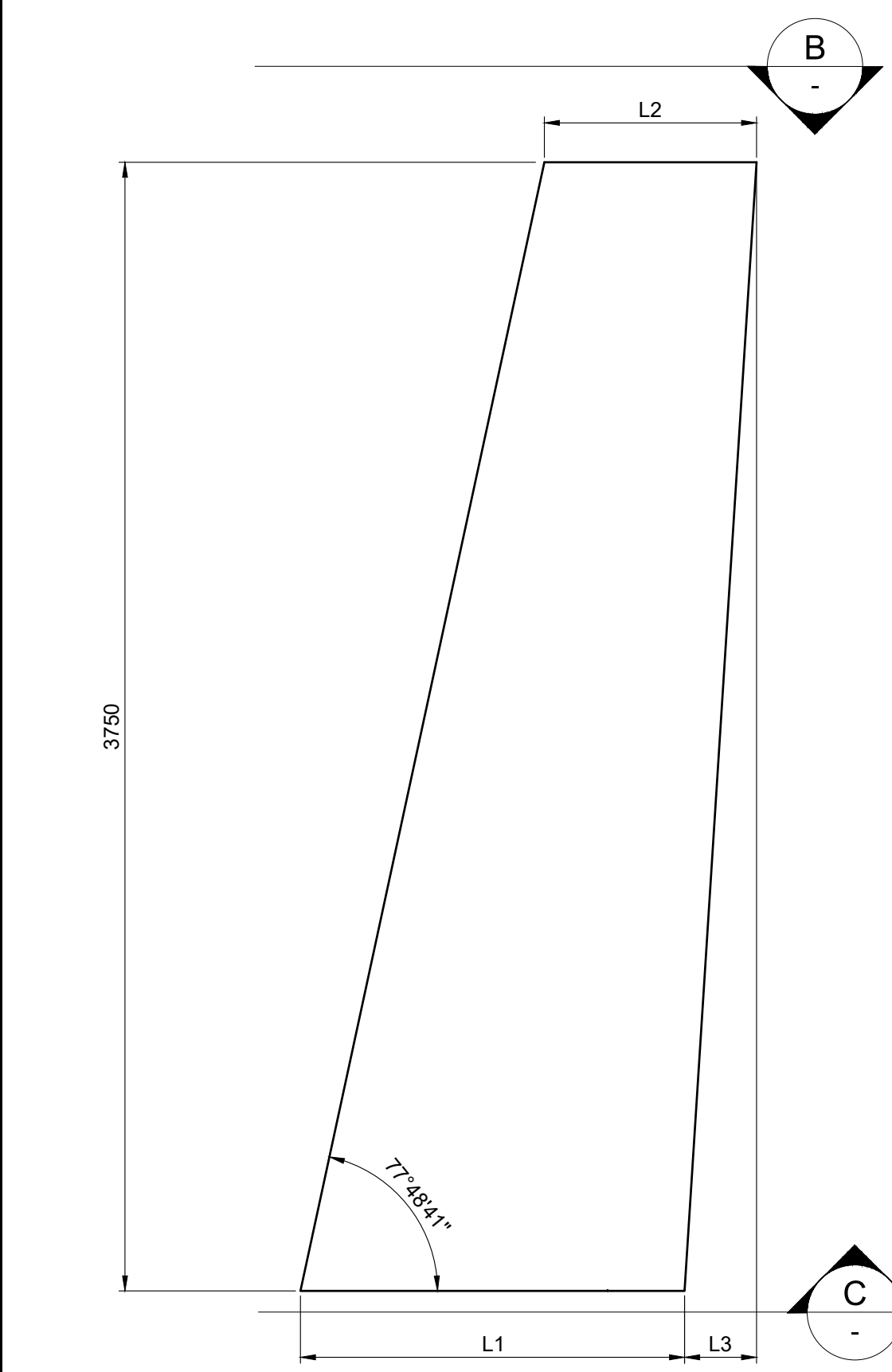


CORNER PROTECTION ANGLE 1
SCALE: 1:20



CORNER PROTECTION ANGLE 2
SCALE: 1:20



VIEW - BOTTOM OF PLATE
SCALE: 1:20

SECTION D
SCALE: 1:10

SECTION E
SCALE: 1:10

SECTION F
SCALE: 1:10

SOUTHBOUND STRUCTURE DIMENSIONS AND QUANTITIES									
	A1	A2	L1 (mm)	L2 (mm)	L3 (mm)	L4 (mm)	W1 (mm)	W2 (mm)	ZINC ALUM AREA (m ²)
PIER 1	76°27'43"	90°24'29"	1275	705	240	3784	2010	1110	15.70
PIER 2	79°49'30"	90°28'19"	1610	1070	275	3786	2690	1792	19.40
PIER 3	75°10'08"	90°22'30"	1165	575	225	3785	1780	878	14.50
PIER 4	72°14'28"	90°19'23"	1020	405	195	3781	1490	588	12.90

GENERAL NOTES:

- METALLIZING WORK EXTENTS INCLUDE PIER ARMOUR PLATE, PIER NOSING, AND CORNER PROTECTION PLATES ON THE WEST SIDE OF EACH PIER.
- METALLIZING WORK TO TAKE PLACE DURING WINTER MONTHS AND ONLY TO EXPOSED STEEL ABOVE THE ICE. ICE MUST BE THICK ENOUGH TO SUPPORT ALL LOADING. EXISTING COPPER METALLIZING TO BE REMOVED BY MEANS OF GRINDING, ABRASIVE BLASTING, OR METHOD APPROVED BY THE CONTRACT ADMINISTRATOR. ALL DEBRIS TO BE CONTAINED.
- SANDBLAST EXPOSED STEEL PRIOR TO METALLIZING. ALL DEBRIS TO BE CONTAINED.
- APPLY ZINC ALUM METALLIZING TO EXPOSED STEEL. THICKNESS OF METALLIZING TO BE 8 TO 12 MILS. NACP-2 QUALITY CONTROL IS REQUIRED AT ALL TIMES FOR METALLIZING. ALL DEBRIS TO BE CONTAINED.

LEGEND	
	COPPER REMOVAL AND ZINC ALUM METALLIZING EXTENTS

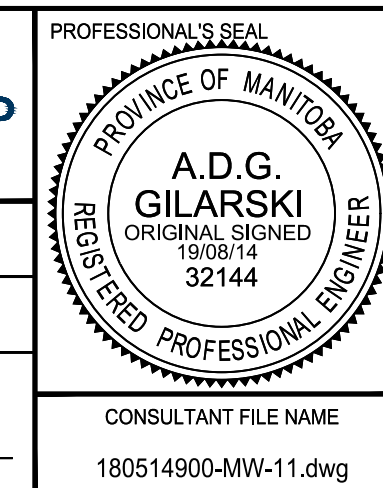


METRIC
WHOLE NUMBERS INDICATE MILLIMETRES
DECIMALIZED NUMBERS INDICATE METRES

LOCATION APPROVED UNDERGROUND STRUCTURES	
SUPR. U/G STRUCTURES COMMITTEE	DATE
NOTE: LOCATION OF UNDERGROUND STRUCTURES AS SHOWN ARE BASED ON THE BEST INFORMATION AVAILABLE BUT NO GUARANTEE IS GIVEN THAT ALL EXISTING UTILITIES ARE SHOWN OR THAT THE GIVEN LOCATIONS ARE EXACT. CONFIRMATION OF EXISTENCE AND EXACT LOCATION OF ALL SERVICES MUST BE OBTAINED FROM THE INDIVIDUAL UTILITIES BEFORE PROCEEDING WITH CONSTRUCTION.	

BM ELEV	BY	DATE

DESIGNED BY		CHECKED BY	
AGG		BAP	
DRAWN BY		APPROVED BY	
AH		BE	
HOR SCALE		VERT SCALE	
AS SHOWN		AS SHOWN	
0	19/08/14	BE	
No.	YYMMDD	BY	DATE



THE CITY OF WINNIPEG PUBLIC WORKS DEPARTMENT ENGINEERING DIVISION

2019 BRIDGE MAINTENANCE NORWOOD AND MAIN STREET BRIDGES

NORWOOD BRIDGE SOUTHBOUND PIER METALLIZING

CITY DRAWING NUMBER: B103-19-11
SHEET 11 OF 12
DRAWING No. REV 11 0

CONSULTANT FILE NAME: 180514900-MW-11.dwg