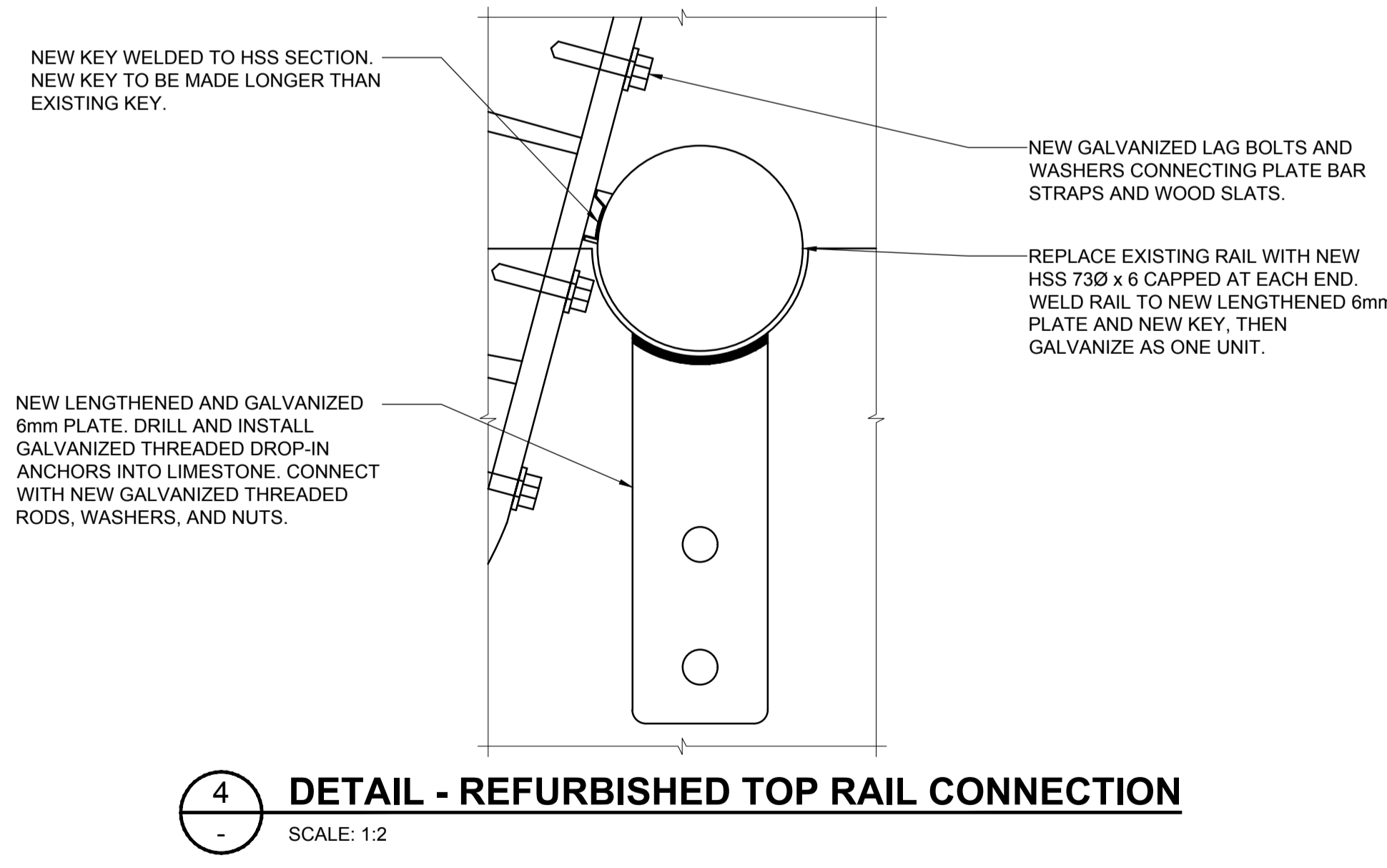
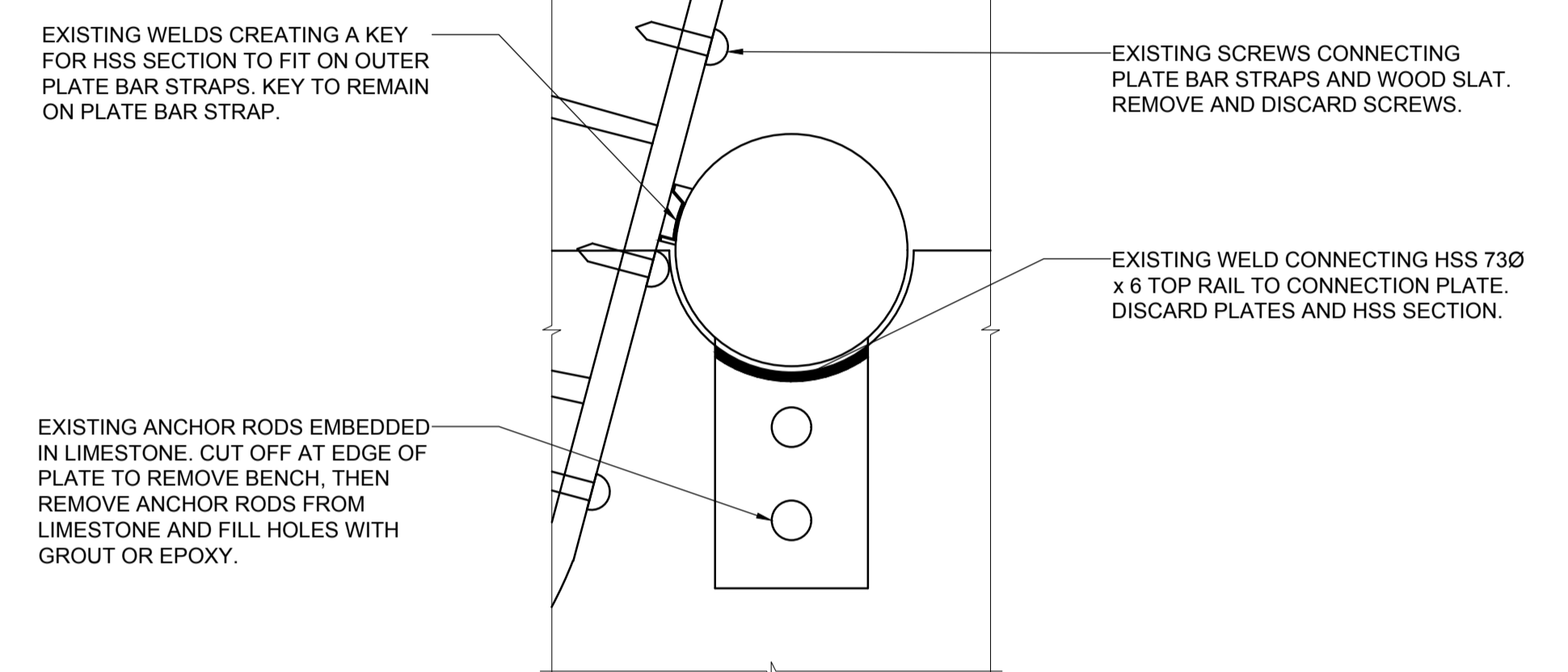
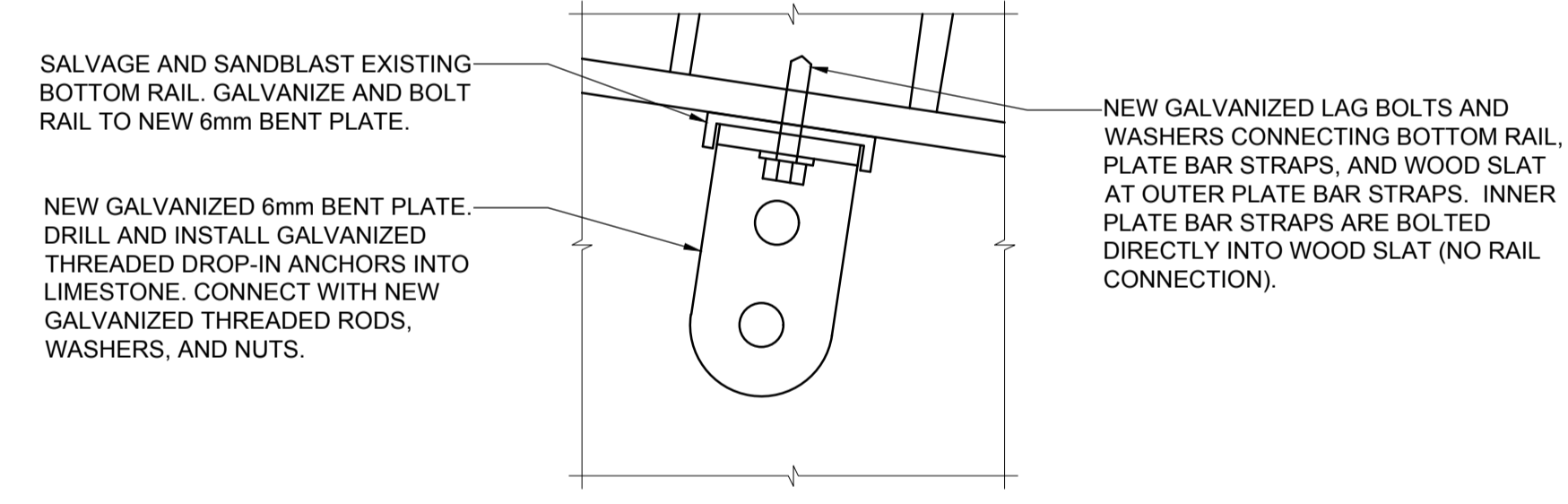
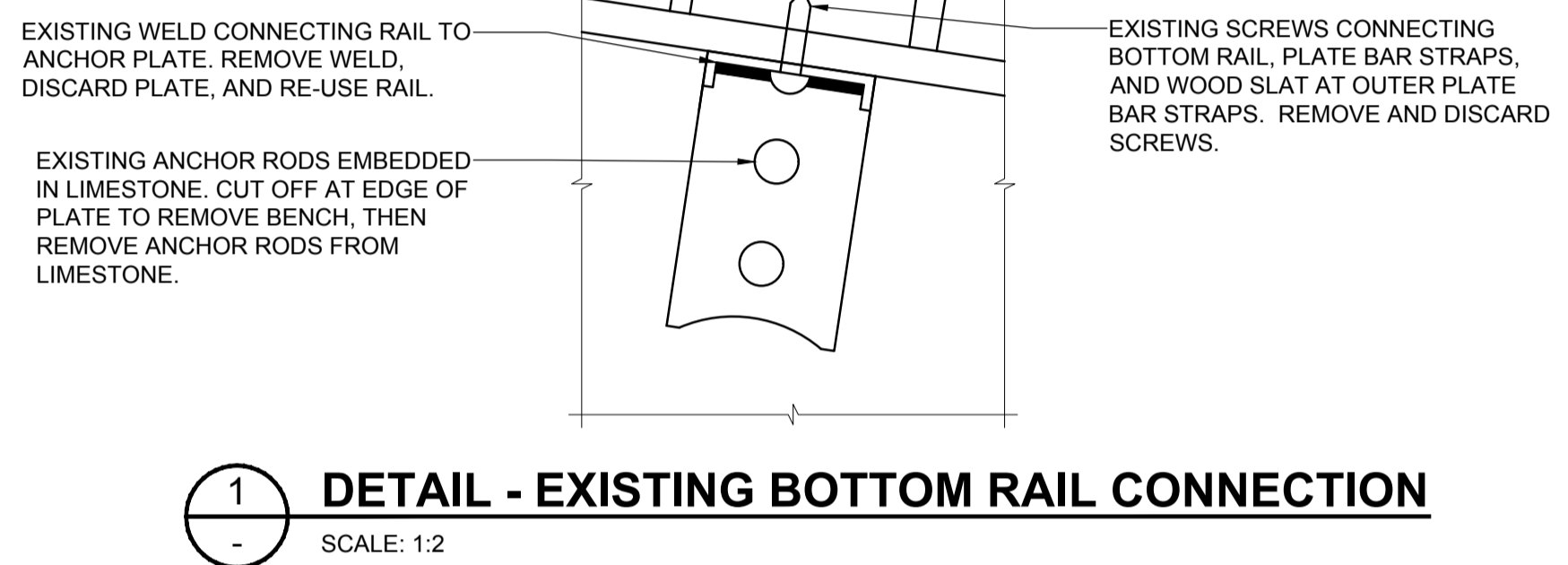
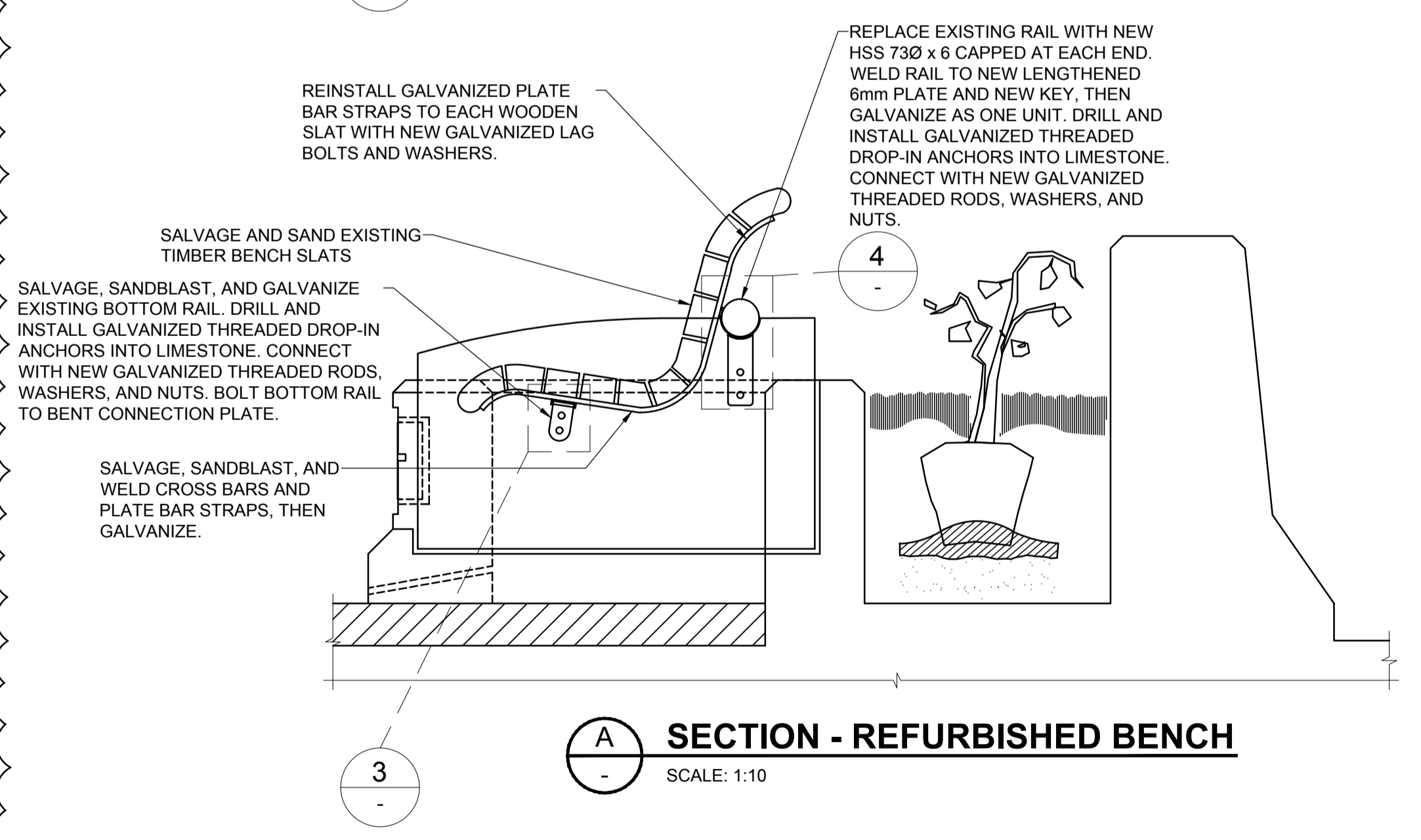
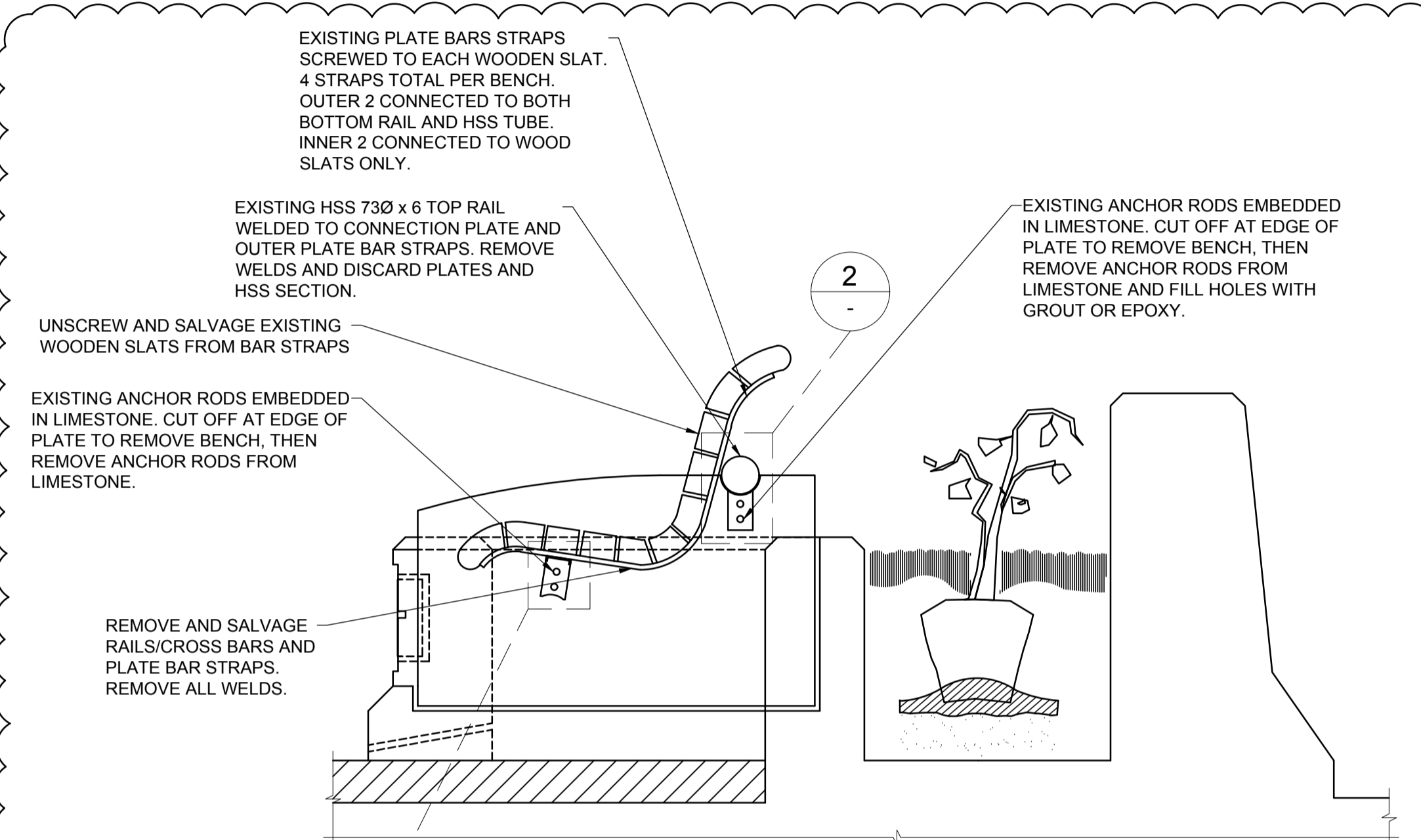
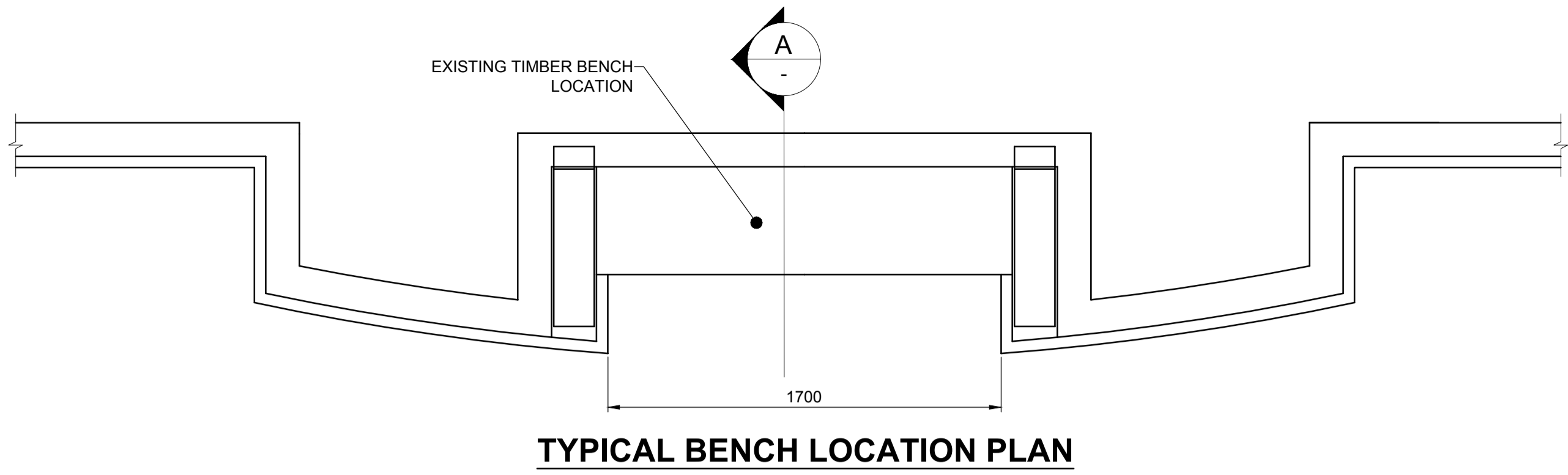


A1 SIZE 594mm x 841mm  
 PLOT: 9/16/2019 4:16:07 PM  
 Pictet: 9/16/2019 4:16 PM By Andrew Gilarski  
 Last Saved: 9/16/2019 4:16 PM By AGilarski  
 \\mh.local\data\Proj\2018\1805-14900-Norwood Bridge\06\_CAD\07\_Sheets\1805-14900-MW-09.dwg  
 18/05/14900-Norwood Bridge\06\_CAD\07\_Sheets\1805-14900-MW-09.dwg



- GENERAL NOTES:**
- CUT LIMESTONE ANCHOR RODS AT CONNECTION PLATE AND REMOVE BENCH.
  - REMOVE REMAINING PORTION OF ANCHOR RODS FROM LIMESTONE AND FILL HOLES WITH GROUT OR EPOXY IF NEEDED.
  - CUT WELDS ON BENCH MEMBERS.
  - DISCARD CONNECTION PLATES AND HSS SECTION.
  - UNSCREW WOOD SLATS FROM STEEL MEMBERS.
  - FABRICATE NEW HSS SECTION AND CAP OPENINGS AT ENDS, LEAVING LARGE ENOUGH HOLES FOR GALVANIZING. PUT TWO HOLES ON UNDERSIDE OF SECTION AT ENDS FOR TRAPPED WATER DRAINAGE.
  - FABRICATE NEW CONNECTION PLATES.
  - CLEAN ALL SALVAGED STEEL BY SANDBLASTING OR ACCEPTED EQUIVALENT.
  - GALVANIZE ALL STEEL.
  - SAND WOODEN SLATS TO REMOVE SURFACE DEFECTS ALL AROUND.
  - DRILL AND INSTALL GALVANIZED THREADED DROP-IN ANCHORS INTO LIMESTONE.
  - RECONNECT ALL STEEL TO WOODEN SLATS USING NEW GALVANIZED LAG BOLTS AND WASHERS.
  - CONNECT REFURBISHED BENCH TO LIMESTONE WITH NEW GALVANIZED ANCHOR RODS, WASHERS, AND NUTS.
  - PLACE NEOPRENE PAD SHIM(S) BETWEEN CONNECTION PLATE AND LIMESTONE SURFACE FOR TIGHT HORIZONTAL FIT AS REQUIRED (TYP).
  - NORTHBOUND NORWOOD BENCH SHOWN. SOUTHBOUND BENCHES SIMILAR.
  - CITY OF WINNIPEG WILL REFURBISH THE SOUTHERNMOST BENCH ON THE NORTHBOUND NORWOOD BRIDGE AS A DISPLAY BENCH. CONTRACTOR TO MATCH QUALITY AND CONNECTIONS.
  - LENGTH OF HSS SECTIONS AND STEEL PLATE DIMENSIONS TO BE VERIFIED ON SITE BY THE CONTRACTOR.

TENDER No. 685-2019



**METRIC**  
 WHOLE NUMBERS INDICATE MILLIMETRES  
 DECIMALIZED NUMBERS INDICATE METRES

**LOCATION APPROVED**  
 UNDERGROUND STRUCTURES

SUPR. U/G STRUCTURES COMMITTEE DATE

**NOTE:**  
 LOCATION OF UNDERGROUND STRUCTURES AS SHOWN ARE BASED ON THE BEST INFORMATION AVAILABLE BUT NO GUARANTEE IS GIVEN THAT ALL EXISTING UTILITIES ARE SHOWN OR THAT THE GIVEN LOCATIONS ARE EXACT. CONFIRMATION OF EXISTENCE AND EXACT LOCATION OF ALL SERVICES MUST BE OBTAINED FROM THE INDIVIDUAL UTILITIES BEFORE PROCEEDING WITH CONSTRUCTION.

NO.	REVISIONS	DATE	BY	DATE
1	ISSUED FOR ADDENDUM 4	19/09/16	BE	
0	ISSUED FOR TENDER	19/08/14	BE	

PROFESSIONAL'S SEAL  
 PROVINCE OF MANITOBA  
**A.D.G. GILARSKI**  
 Member  
 32144  
 REGISTERED PROFESSIONAL ENGINEER  
 CONSULTANT FILE NAME  
 180514900-MW-09.dwg

**THE CITY OF WINNIPEG**  
**PUBLIC WORKS DEPARTMENT**  
**ENGINEERING DIVISION**

**2019 BRIDGE MAINTENANCE**  
**NORWOOD AND MAIN STREET BRIDGES**

NORWOOD BRIDGES  
 BENCH REFURBISHMENT DETAILS

CITY DRAWING NUMBER  
 B103-19-09

SHEET  
 09 OF 12

DRAWING No.  
 09

REV  
 1