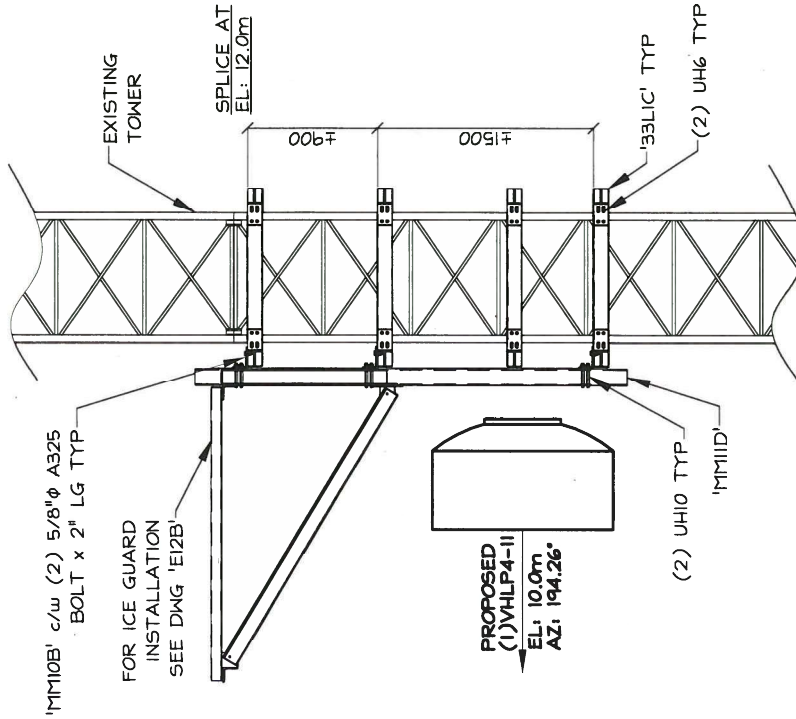
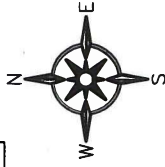


OBSTRUCTION NOTE:

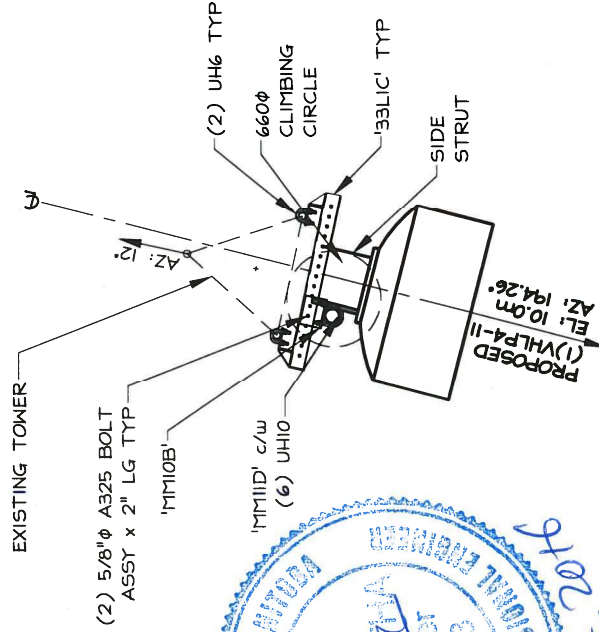
- PLACE CAUTION SIGNS ABOVE & BELOW CLIMBING OBSTRUCTION
- INCLUDE ELEVATION OF 10.0m ON OBSTRUCTION SIGN AT BASE OF TOWER.

FIELD NOTES:

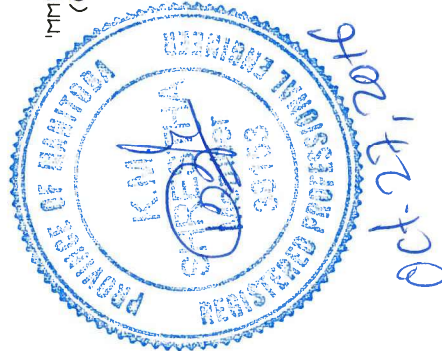
- INSTALL MOUNTS AS CLOSE AS POSSIBLE TO PANEL POINTS.
- GENERIC TOWER SECTION DRAWING DOES NOT REFLECT THE TRUE CONFIGURATION.



ELEVATION VIEW



PLAN VIEW
(ICE GUARD NOT SHOWN FOR CLARITY)



TITLE: MICROWAVE INSTALLATION AT EL: 10.0m	
WESTOWER	
CUSTOMER: CITY OF WINNIPEG	
PROJECT: SITE UPGRADE	
SITE: 2230 MAIN STREET, WINNIPEG, MB	
DWN BY: JSG	DATE: 21/10/16
APP'R'D: JSG	PROJECT NO.: 22-00243
DRAWING NO.: -E12A	

MICROWAVE INSTALLATION NOTE:

- 1) MOUNT '333LIC' AT SUGGESTED ELEVATIONS. REFER TO ELEVATION VIEW.
- 2) MOUNT '1\"/>

FIELD BOLTS:

- (6) 5/8"φ A325 BOLT ASSY x 2" LG
- (16) UH6 5/8"φ U-BOLT ASSY
- (6) UH10 5/8"φ U-BOLT ASSY