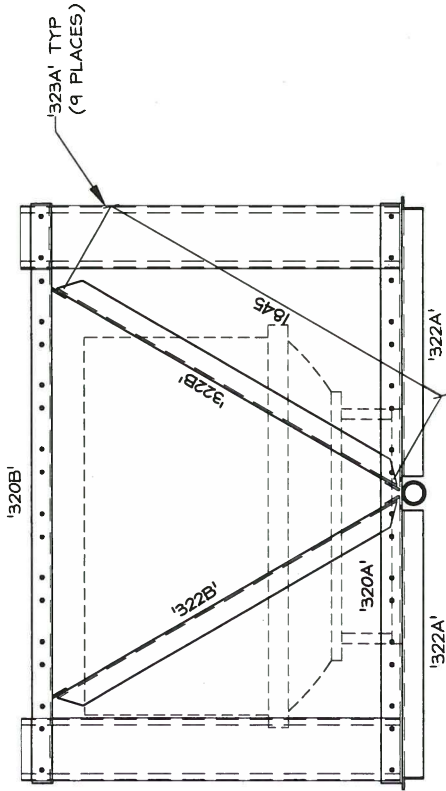
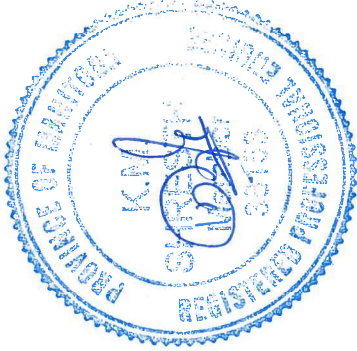


**NOTE:**  
 MK '322C' PROVIDED AS A SIDE STRUT  
 TO SECURE ICEGUARD TO TOWER LEG.

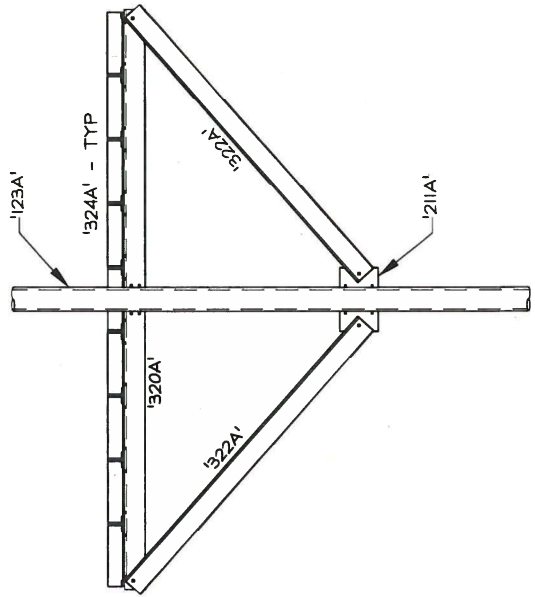
**FIELD BOLTS PER ICEGUARD**  
 (36)-1/2"φ A325 BOLTS x 1 1/2" LG  
 (10)-5/8"φ A325 BOLTS x 1 3/4" LG  
 (4)-UH10 U-BOLTS

READ THIS DRAWING IN CONJUNCTION WITH 'E11A'.

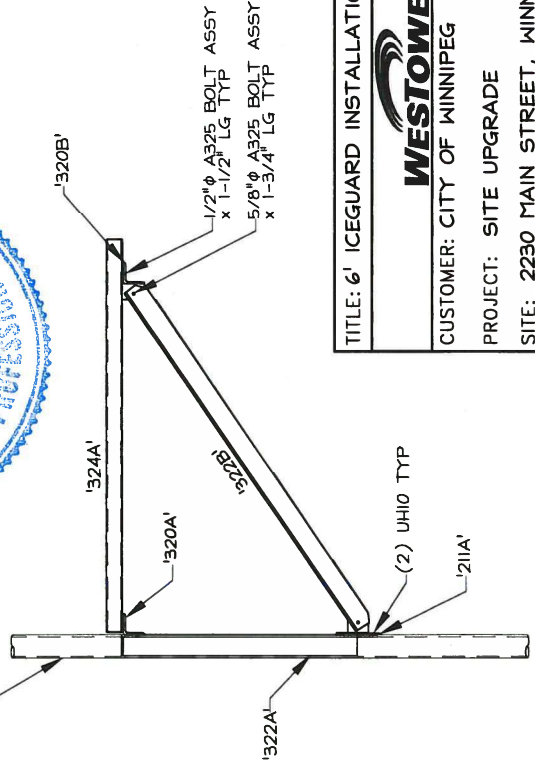


**PLAN VIEW**

FOR 'IB'  
 INSTALLATION  
 SEE DWG 'E11A'



**REAR ELEVATION VIEW**



**SIDE VIEW**

TITLE: 6' ICEGUARD INSTALLATION AT EL: 39.6m	
<b>WESTOWER</b>	
CUSTOMER: CITY OF WINNIPEG	
PROJECT: SITE UPGRADE	
SITE: 2230 MAIN STREET, WINNIPEG, MB	
DWN BY/APP'D: JSG	DATE: 24/10/16
PROJECT No.: 22-00243	DRAWING No.: -E11B