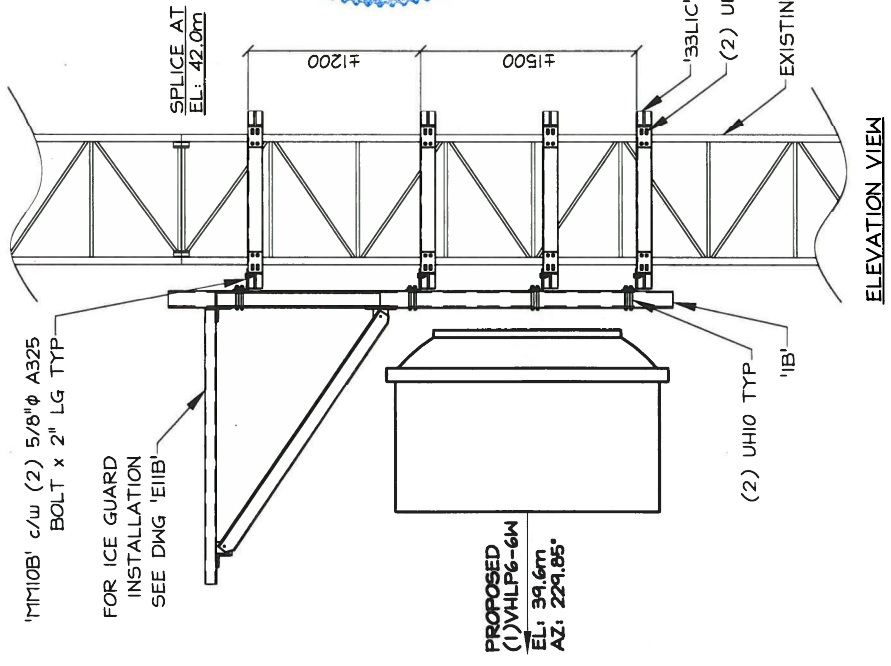
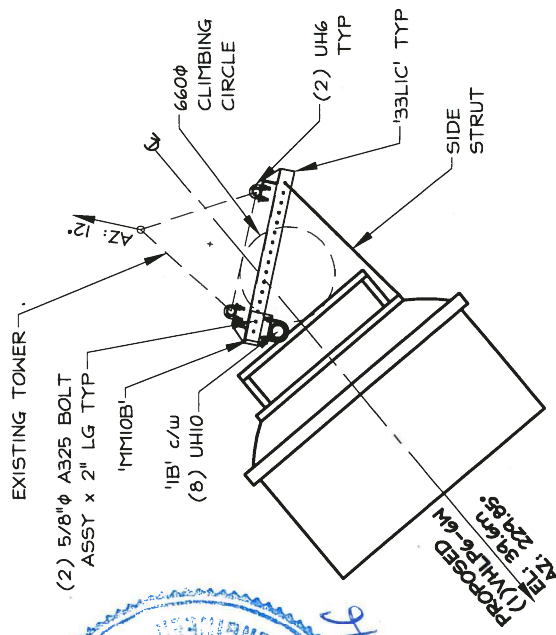


OBSTRUCTION NOTE:
 - PLACE CAUTION SIGNS ABOVE & BELOW CLIMBING OBSTRUCTION.
 - INCLUDE ELEVATION OF 39.6m ON OBSTRUCTION SIGN AT BASE OF TOWER.

FIELD NOTES:
 - INSTALL MOUNTS AS CLOSE AS POSSIBLE TO PANEL POINTS.
 - GENERIC TOWER SECTION DRAWING DOES NOT REFLECT THE TRUE CONFIGURATION.



ELEVATION VIEW



PLAN VIEW

(ICE GUARD NOT SHOWN FOR CLARITY)



MICROWAVE INSTALLATION NOTE:
 1) MOUNT '33LIC' AT SUGGESTED ELEVATIONS. REFER TO ELEVATION VIEW.
 2) MOUNT '1M10B' TO 114 OD PIPE ON THE GROUND.
 3) MOUNT MICROWAVE TO 114 OD PIPE. MOUNT LINE IS AIMED AT CENTRE OF TOWER. MOUNT TIE BACK TO '33LIC'.

FIELD BOLTS:
 (8) 5/8" φ A325 BOLT ASSY x 2" LG
 (16) UH6 5/8" φ U-BOLT ASSY
 (8) UH10 5/8" φ U-BOLT ASSY

TITLE: MICROWAVE INSTALLATION AT EL: 39.6m	
WESTOWER	
CUSTOMER: CITY OF WINNIPEG	
PROJECT: SITE UPGRADE	
SITE: 2230 MAIN STREET, WINNIPEG, MB	
DWN BY: JSG	DATE: 21/10/16
APP'D: JSG	PROJECT No.: 22-00243
DRAWING No.: -E11A	