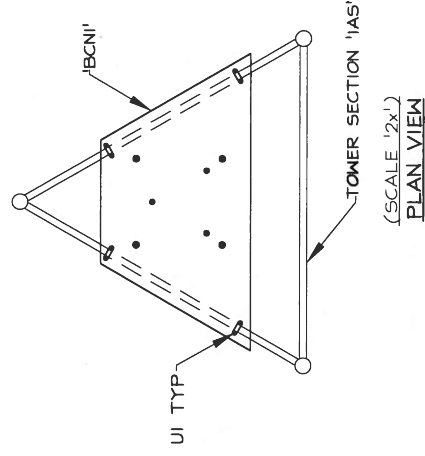


ELEVATION VIEW



FIELD BOLTS:
(4) UI 3/8"φ U-BOLTS

TITLE: LIGHTING MOUNT PLATE INSTALLATION	
WESTOWER	
CUSTOMER: CITY OF WINNIPEG	
PROJECT: '900G' TOWER	
SITE: MURRAY	
DWN BY: JSG	DATE: 20/07/16
APPR'D: JSG	PROJECT No.: 22-00233
DRAWING No.: -E14	