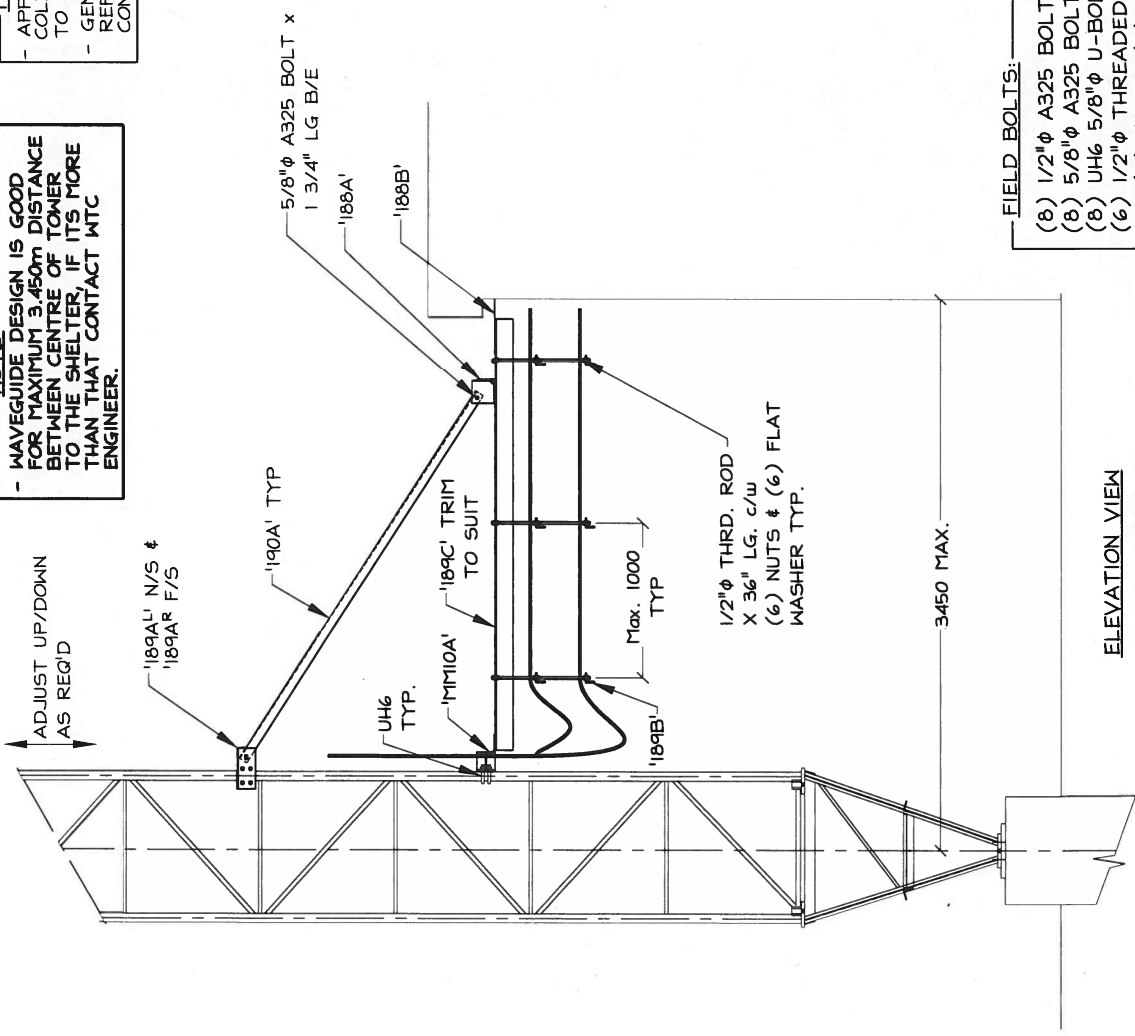
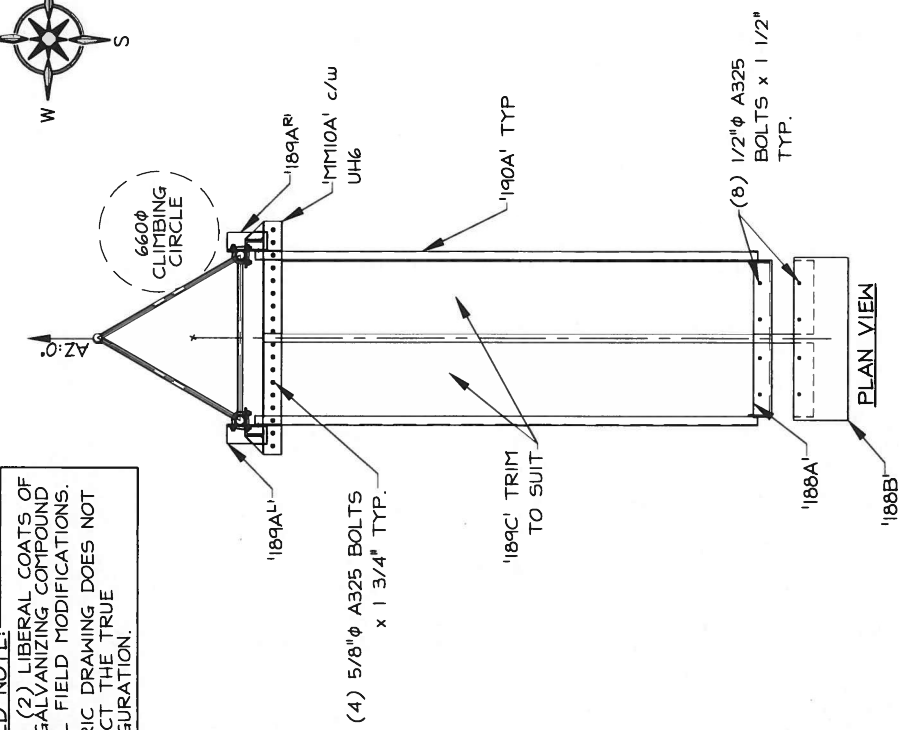


NOTE:

- WAVEGUIDE DESIGN IS GOOD FOR MAXIMUM 3.450m DISTANCE BETWEEN CENTRE OF TOWER TO THE SHELTER, IF ITS MORE THAN THAT CONTACT WTC ENGINEER.

FIELD NOTE:

- APPLY (2) LIBERAL COATS OF COLD GALVANIZING COMPOUND TO ALL FIELD MODIFICATIONS.
- GENERIC DRAWING DOES NOT REFLECT THE TRUE CONFIGURATION.



FIELD BOLTS:

- (8) 1/2" A325 BOLTS x 1-1/2" LG.
- (8) 5/8" A325 BOLTS x 1-3/4" LG.
- (8) UH6 5/8" U-BOLT c/w DOUBLE NUTS
- (6) 1/2" THREADED ROD x 36" LG. c/w (6) NUTS, (6) FW ea.

TITLE: WAVEGUIDE BRIDGE INSTALLATION	
WESTOWER	
CUSTOMER: CITY OF WINNIPEG	
PROJECT: '900G' TOWER	
SITE: MURRAY	
OWN BY/APP'R: JSG	DATE: 19/07/16
PROJECT No.: 22-00233	DRAWING No.: -E09

ELEVATION VIEW