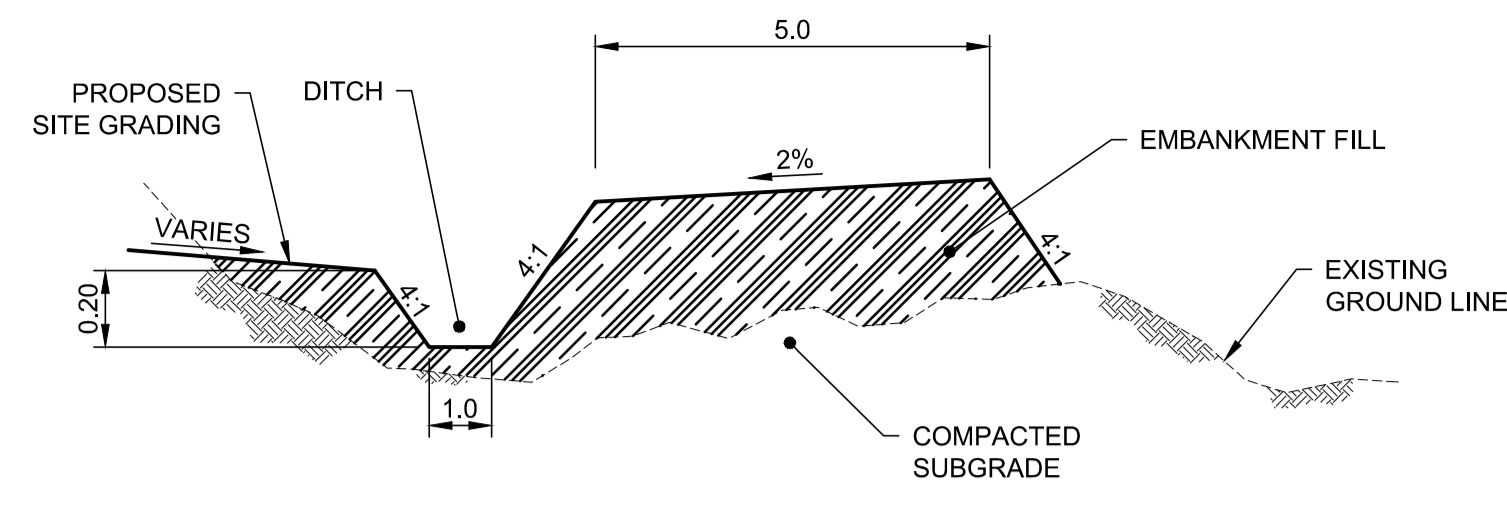
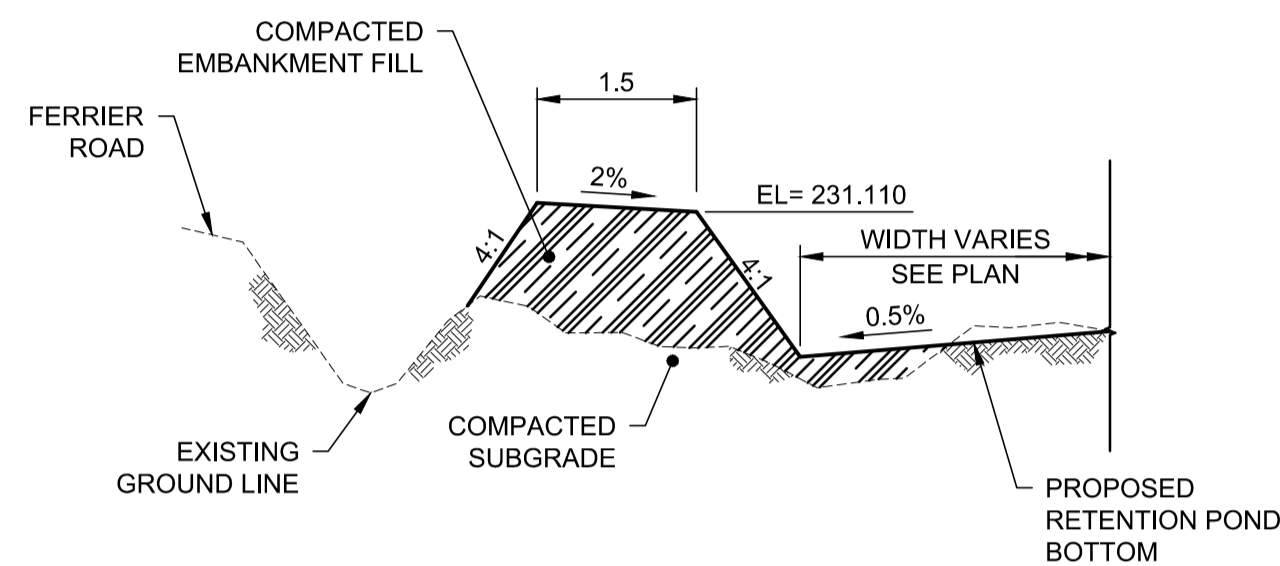


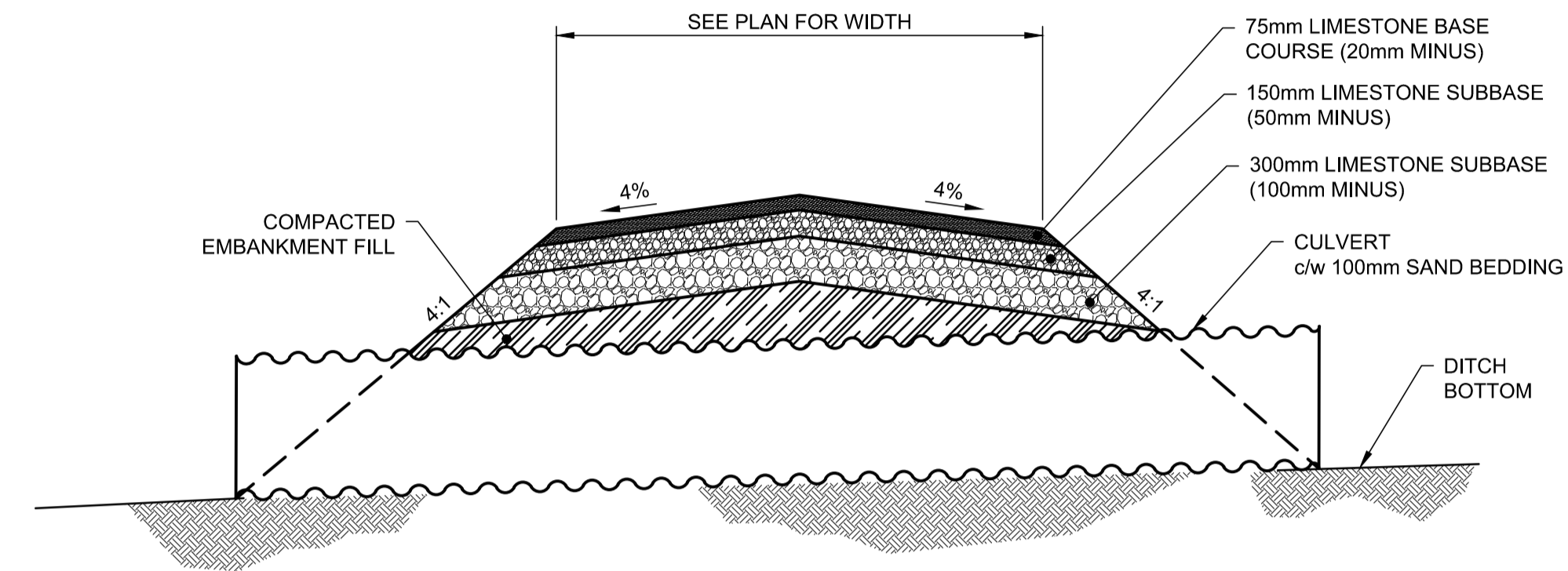
**1** 1.5 m WIDE PERIMETER BERM DETAIL – PERIMETER OF PARCEL B  
CT-02, CT-03, CT-04, CT-05



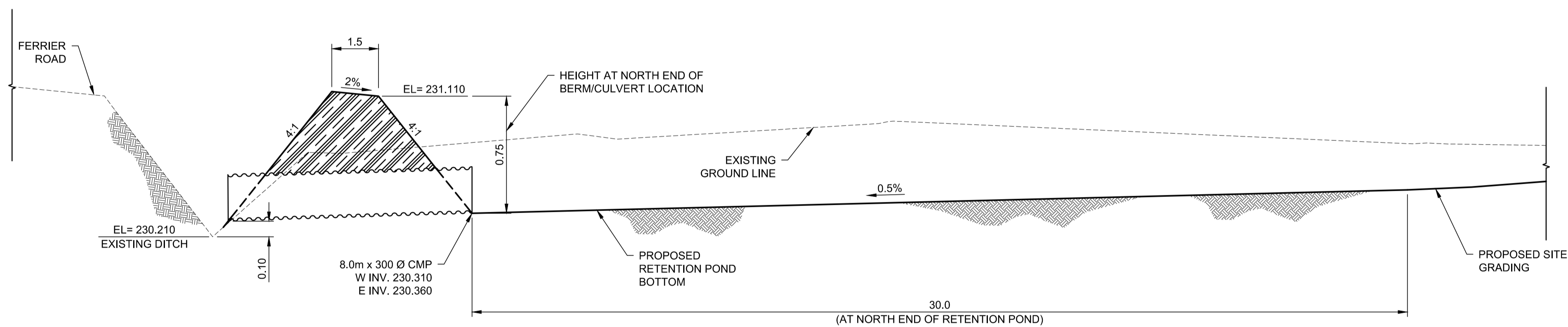
**2** 5.0 m WIDE PERIMETER BERM DETAIL – SOUTH OF COMMUNICATION TOWER  
CT-04, CT-05



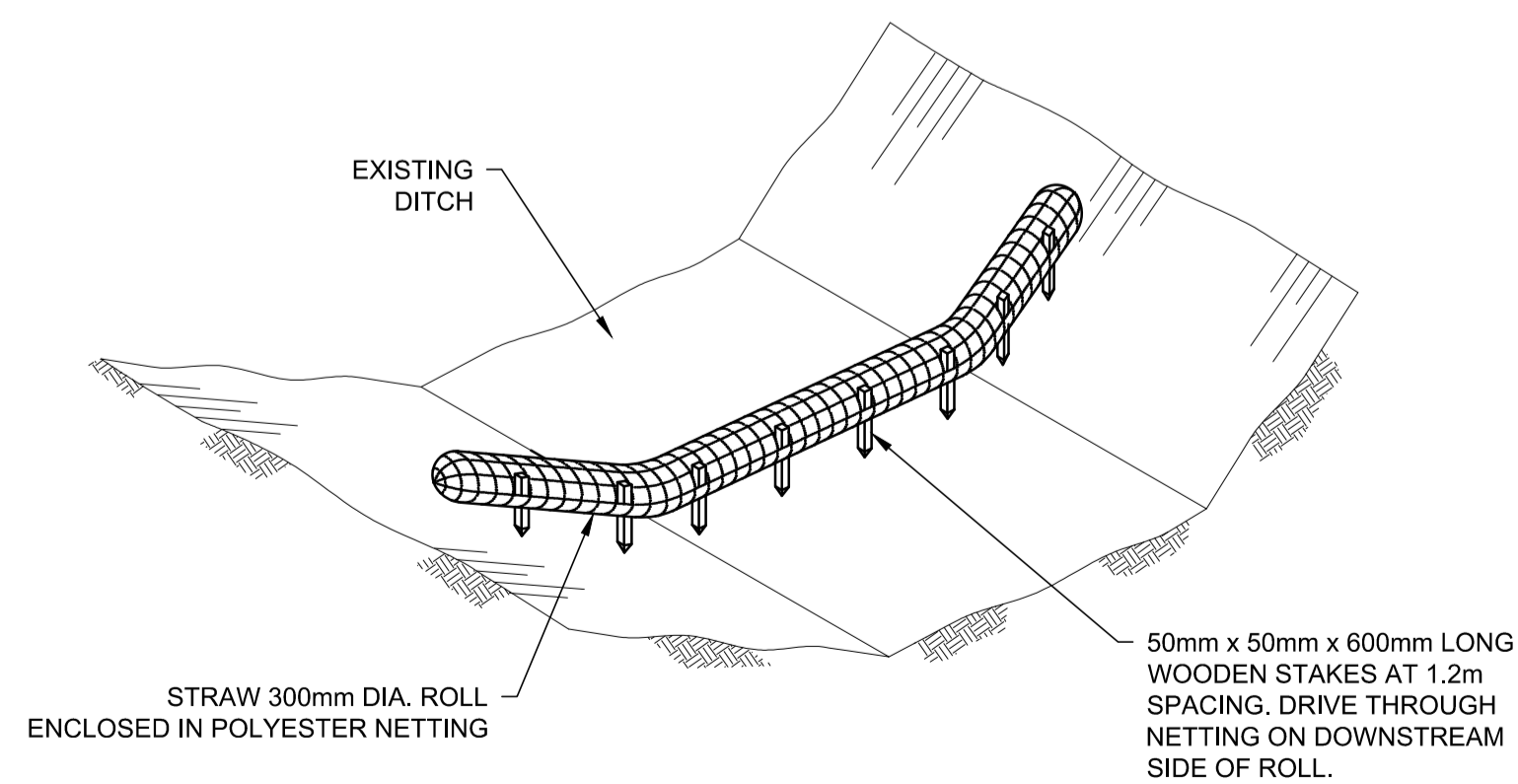
**3** 1.5 m WIDE PERIMETER BERM DETAIL – ALONG FERRIER ROAD  
CT-02, CT-05



**4** CULVERT DETAIL – THROUGH ROAD  
CT-02, CT-03, CT-05



**E-E** 1.5 m WIDE PERIMETER BERM/CULVERT DETAIL – ALONG FERRIER ROAD  
CT-02, CT-05



**5** TYPICAL STRAW ROLL DITCH CHECK DETAIL  
CT-02, CT-03, CT-05

**DRAWING NOTES**

1. ALL WORK AND MATERIALS IN ACCORDANCE WITH CITY OF WINNIPEG STANDARD CONSTRUCTION SPECIFICATIONS.
2. LOCATION OF UNDERGROUND STRUCTURES AS SHOWN ARE BASED ON THE BEST INFORMATION AVAILABLE BUT NO GUARANTEE IS GIVEN THAT ALL EXISTING UTILITIES ARE SHOWN OR THAT THE GIVEN LOCATIONS ARE EXACT.
3. CONFIRMATION OF EXISTENCE AND EXACT LOCATION OF ALL SERVICES MUST BE OBTAINED FROM THE INDIVIDUAL UTILITIES BEFORE PROCEEDING WITH CONSTRUCTION.
4. ALL BERMS, DITCHES AND SIDE SLOPES OF DESIGN ROADWAY SHALL HAVE TOPSOIL AND BE SEEDED.
5. EROSION CONTROL BLANKET TO BE INSTALLED ON ALL BERMS, DITCHES AND SIDE SLOPES OF DESIGN ROADWAY.

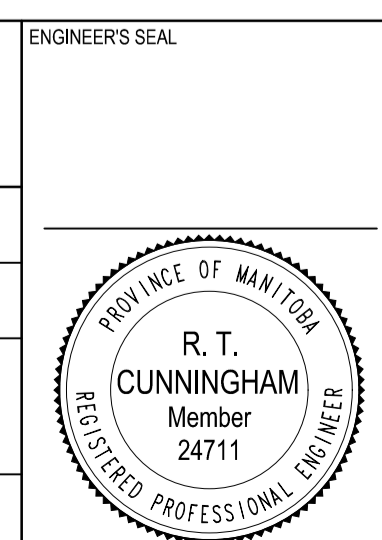


**METRIC**  
WHOLE NUMBERS INDICATE MILLIMETRES  
DECIMALIZED NUMBERS INDICATE METRES

NO.	REVISIONS	DATE	DESIGN	CHECK
0	ISSUED FOR TENDER	2018-06-27	CS	BC
B	ISSUED FOR 90% REVIEW	2018-05-30	CS	BC
A	ISSUED FOR 30% REVIEW	2018-05-02	CS	BC

**AECOM**

DESIGNED BY: GK/CS      CHECKED BY: BC/RC  
 DRAWN BY: CS      APPROVED BY: RC  
 SCALE: N.T.S.      RELEASED FOR CONSTRUCTION BY:      DATE: 2018-06-27      DATE:      CONSULTANT NO.: CT-06



**THE CITY OF WINNIPEG**  
WATER AND WASTE DEPARTMENT

NEWPCC UPGRADE SITE PREPARATION WORKS  
PARCEL B ROAD AND ASSOCIATED WORKS  
DETAIL SHEET

CITY DRAWING NUMBER: 1-0101-CRSW-Y006      SHEET: 001      REV: 0      SIZE: A1