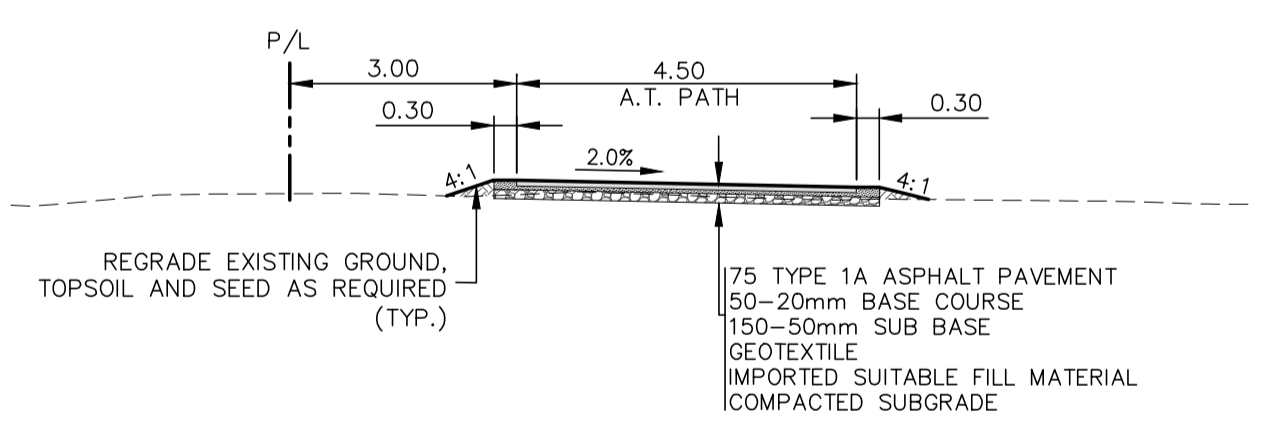
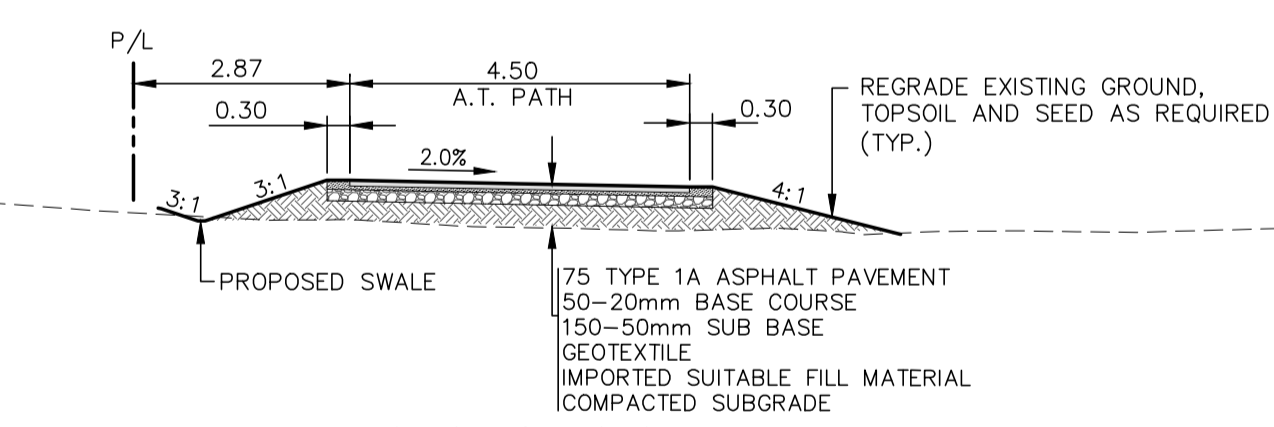


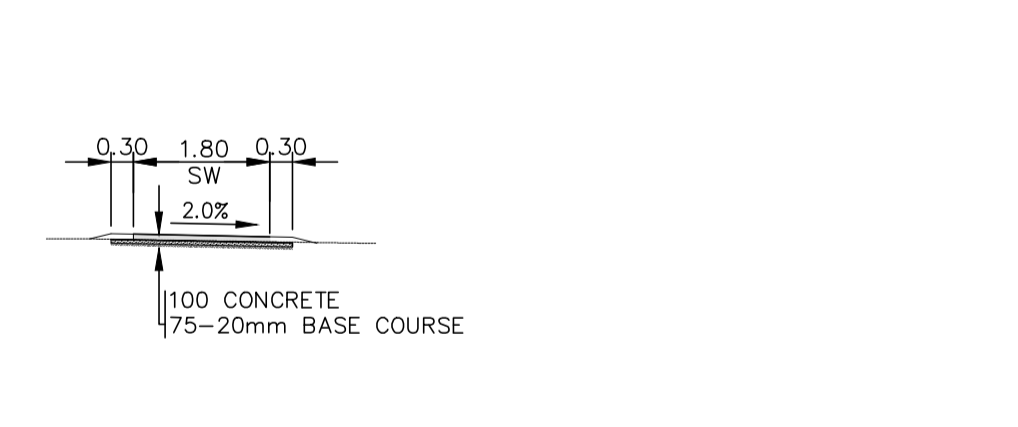
SECTION A-A  
SCALE 1:100



SECTION B-B  
SCALE 1:100



SECTION C-C  
SCALE 1:100



SIDEWALK DETAIL  
SCALE 1:100

NOTE: These design documents are prepared solely for the use by the party with whom the design professional has entered into a contract and there are no representations of any kind made by the design professional to any party with whom the design professional has not entered into a contract.

EXISTING	LEGEND-PLAN	PROPOSED	EXISTING	LEGEND-PLAN	PROPOSED	EXISTING	LEGEND-PROFILE	PROPOSED
---	WATER MAIN	---	---	IRON BAR	---	---	---	---
---	LAND DRAINAGE SEWER	---	---	HYDRO POLE & LIGHT STANDARD	---	---	---	---
---	WASTE WATER SEWER	---	---	LIGHT STANDARD OR TRAFFIC SIGNAL	---	---	---	---
---	HYDRO	---	---	HYDRO POLE	---	---	---	---
---	M.T.S.	---	---	HYDRO LIDS	---	---	---	---
---	GAS	---	---	HYDRO SWALE	---	---	---	---
---	SIGNALS	---	---	CULVERT	---	---	---	---
○	MANHOLE	○	---	DITCH FLOW	---	---	---	---
□	CATCH BASIN	□	---	CURB RAMP	---	---	---	---
△	CURB INLET	△	---	DETECTABLE WARNING SURFACE TILE	---	---	---	---
▽	UTILITIES ADJUSTED	▽	---	EDGE OF SIDEWALK	---	---	---	---
┘	PLUG	┘	---	FENCE	---	---	---	---
◇	HYDRANT	◇	---	PROPERTY LINE	---	---	---	---
⊙	VALVE	⊙	---	EDGE OF ASPHALT	---	---	---	---
⊙	CURB STOP	⊙	---	EDGE OF ROAD	---	---	---	---
---	GROUND GRADE	---	---	CONC SIDEWALK	---	---	---	---
(31.00)	GRADE	(31.00)	---	ASPHALT	---	---	---	---
---	ANCHOR	---	---	HEAVY DUTY ASPHALT	---	---	---	---
---	CIVIC ADDRESS	---	---	GRASS	---	---	---	---
---	LEGEND-PLAN	---	---	LEGEND-PROFILE	---	---	---	---

- NOTES:
- ALL WORK AND MATERIALS TO BE IN ACCORDANCE WITH THE LATEST REVISION OF THE CITY OF WINNIPEG STANDARD CONSTRUCTION SPECIFICATIONS.
  - CONTRACTOR TO CONFIRM THE LOCATION OF ALL UTILITIES/SERVICES IN THE FIELD PRIOR TO CONSTRUCTION. ADD 200.00 TO ABBREVIATED ELEVATIONS TO OBTAIN GEODETIC ELEVATION.
  - CONTRACTORS TO TAKE PRECAUTIONARY STEPS TO PROTECT EXISTING TREES WITHIN THE LIMITS OF CONSTRUCTION FROM DAMAGE FROM CONSTRUCTION ACTIVITIES AS OUTLINED IN THE SPECIFICATIONS. LAMP STANDARDS, HYDRO POLES, AND ANCHORS THAT REQUIRE TEMPORARY SUPPORT, REMOVAL OR REPLACEMENT, TO BE DONE SO AT THE EXPENSE OF THE CONTRACTOR AS NECESSARY.
  - ALL BOULEVARDS TO BE SEEDED UNLESS OTHERWISE NOTED. LIMITS TO BE IDENTIFIED IN THE FIELD BY THE CONTRACT ADMINISTRATOR.
  - ADJUST ALL WATER VALVES, HYDRANTS, MANHOLES, AND CATCH BASINS IN WORK AREA TO GRADE.
  - PEDESTRIAN CROSSING AND HALF SIGNAL AT THE PROPOSED CROSSING TO BE INSTALLED BY THE CITY.
  - PAVEMENT MARKING AND SIGNAGE TO BE COMPLETED BY THE CITY.
  - CONSTRUCTION VEHICLES SHALL ONLY CROSS THE FEEDERMAIN AT EXISTING ROADWAYS. CROSSING OF THE FEEDERMAIN IN GRASS AREAS SHALL NOT BE PERMITTED.
  - REMOVE ORGANIC MATERIAL AS DIRECTED BY THE CONTRACT ADMINISTRATOR.
  - SUITABLE SITE MATERIAL TO BE COMPACTED MIN. TO 90% OF STANDARD PROCTOR OR AS DIRECTED BY THE CONTRACT ADMINISTRATOR.

LOCATIONS APPROVED UNDERGROUND STRUCTURES

SIGNED BY: \_\_\_\_\_ DATE: \_\_\_\_\_

LOCATION OF UNDERGROUND STRUCTURES AS SHOWN ARE BASED ON THE BEST INFORMATION AVAILABLE BUT NO GUARANTEE IS GIVEN THAT ALL EXISTING UTILITIES ARE SHOWN OR THAT THE GIVEN LOCATIONS ARE EXACT LOCATIONS OF ALL SERVICES MUST BE OBTAINED FROM THE INDIVIDUAL UTILITIES BEFORE PROCEEDING

NO.	REVISIONS	DATE	BY
H	ISSUED FOR TENDER	27-JAN-19	RW
D	ISSUED FOR REVIEW	11-APR-19	VM
C	REVISED PER CITY COMMENTS	26-MAR-19	VM
B	ISSUED FOR UNDERGROUND STRUCTURES REVIEW	16-APR-18	VM
A	ISSUED FOR CITY REVIEW	30-JAN-18	VM

G.M. - N/A EXISTING GROUND ELEVATIONS OBTAINED BY GPS AND LIDAR INFORMATION PROVIDED BY THE CITY OF WINNIPEG  
ELEV. - N/A

**wsp**

WSP Canada Inc  
Suite 111 - 93 Lombard Ave  
Winnipeg, MB R3B 3B1  
t. 204.943.3178  
f. 204.943.4948  
www.wsp.com

DESIGNED BY: TP  
CHECKED BY: VM/TP  
DRAWN BY: ED  
APPROVED BY: VM

NOT FOR CONSTRUCTION

CONSULTANT ACAD DWG. NO. 5515081-C-05

DATE: 2018-03-20

**THE CITY OF WINNIPEG**  
PUBLIC WORKS DEPARTMENT  
ENGINEERING SERVICES DIVISION

Winnipeg

Winnipeg BIKE PROJECTS  
NORTHWEST HYDRO CORRIDOR PATHWAY  
CHURCH AVENUE TO LEILA AVENUE  
STA. 2+941.4 TO STA. 3+280

CITY DRAWING NUMBER: SHEET 5 OF 8  
BID NO. 656-2019

ENGINEERS SEAL: NOT FOR CONSTRUCTION

**METRIC**  
WHOLE NUMBERS INDICATE MILLIMETRES  
DECIMALIZED NUMBERS INDICATE METRES

**ENGINEERS GEOSCIENTISTS MANITOBA**  
Certificate of Authorization  
**WSP Canada Group Limited**  
No. 6657