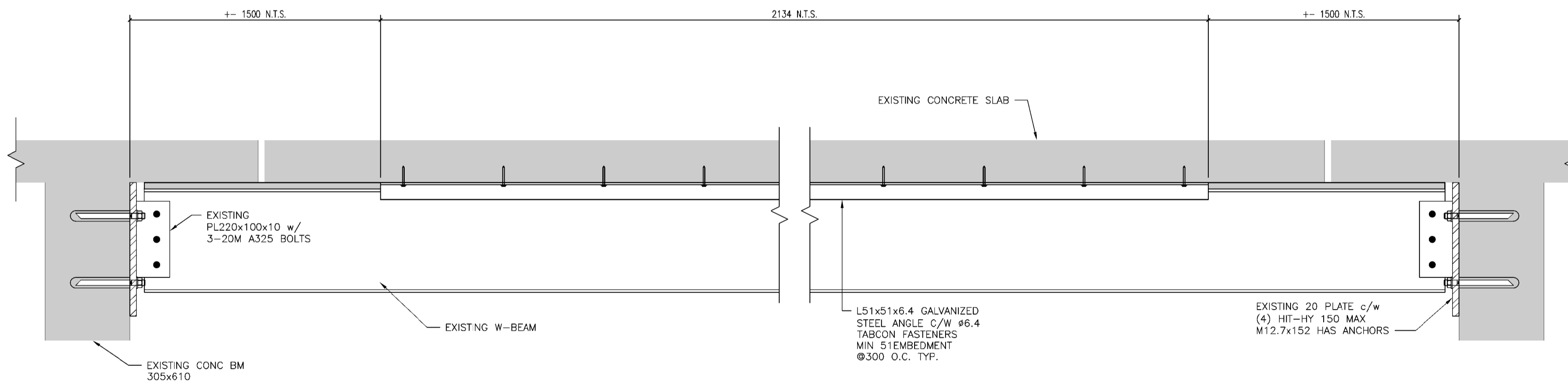


1 DIGESTER GALLERY NO.5 (EAST GAS ROOM) FLOOR SUPPORT
1:50

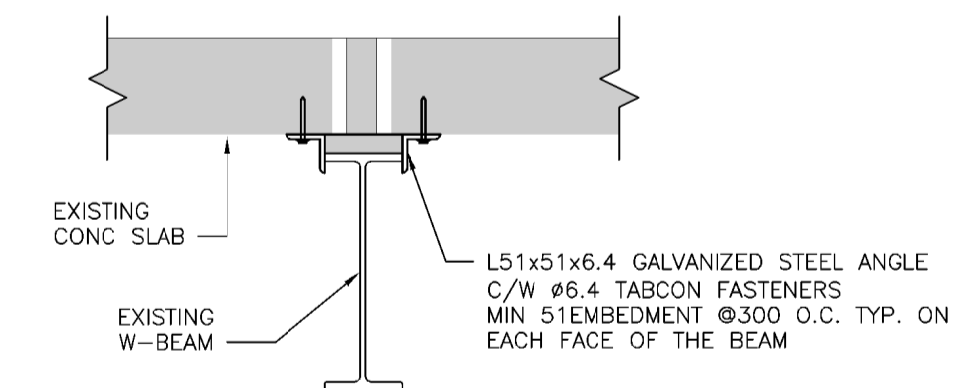
- GENERAL NOTES
- DESIGN LIVE LOADS SHALL NOT BE EXCEEDED AT ANY TIME DURING CONSTRUCTION.
 - DO NOT SCALE DRAWINGS.
 - VERIFY ALL DIMENSIONS, ELEVATIONS, SLOPES, DETAILS, CONDITIONS, ETC., SHOWN ON THE STRUCTURAL DRAWINGS.
 - DISCREPANCIES OR AMBIGUITIES ON THE DRAWING AND/OR THE SITE, WHICH AFFECT THE STRUCTURAL FRAMING, SHALL BE REPORTED TO THE CONTACT ADMINISTRATOR.
 - MODIFICATIONS, ALTERATIONS OR SUBSTITUTIONS MUST BE AUTHORIZED IN WRITING BY THE CONTACT ADMINISTRATOR.
 - FOR OPENINGS IN SLABS, FLOOR, WALLS, ROOF, ETC. REFER TO ELECTRICAL, MECHANICAL, AND/OR OTHER PERTINENT DRAWINGS.
 - THE CONTRACTOR SHALL BE RESPONSIBLE FOR THE DESIGN AND INSTALLATION OF ALL NECESSARY SHORING, BRACING AND FORM WORK. FORM WORK FOR NEW CONSTRUCTION SHALL BE BRIDGED OVER EXISTING SERVICES.
 - ALL CODES REFERENCED IN THESE NOTES SHALL BE OF THE LATEST REVISION.
 - THE CONTRACTOR IS TO VERIFY DIMENSIONS AND DATA NOTED ON THE STRUCTURAL DRAWINGS WITH CONDITIONS ON THE SITE, CO-ORDINATE ALL DIMENSIONS WITH THE EXISTING ARCHITECTURAL DRAWINGS, AND IS HELD RESPONSIBLE FOR REPORTING ANY DISCREPANCIES TO THE CONTACT ADMINISTRATOR BEFORE PROCEEDING WITH THE WORK. VARIATIONS AND MODIFICATIONS TO WORK SHOWN ON THE STRUCTURAL DRAWINGS SHALL NOT BE CARRIED OUT WITHOUT WRITTEN PERMISSION FROM THE CONTACT ADMINISTRATOR.
 - CONSTRUCTION LOADS MUST NOT BE IMPOSED ON THE STRUCTURE IN EXCESS OF THE SPECIFIED DESIGN LIVE LOAD. DESIGN LIVE LOADS MAY ONLY BE APPLIED AFTER CONCRETE REACHES ITS DESIGN STRENGTH.
 - DO NOT CUT OR DRILL ANY OPENINGS INTO STRUCTURAL MEMBERS WITHOUT OBTAINING WRITTEN PERMISSION FROM THE CONTACT ADMINISTRATOR.

- STRUCTURAL STEEL
- FABRICATE & ERECT STRUCTURAL STEEL TO CSA STANDARD CAN/CSA-S16.1
 - STRUCTURAL STEEL SHAPES AND PLATES SHALL CONFORM TO CSA STANDARD CAN/CSA-G40.21, GRADE 350W AND CAN/CSA-G40.21
 - ALL WELDING SHALL BE PERFORMED BY QUALIFIED WELDERS FULLY APPROVED FOR STRUCTURAL WELDING BY THE CANADIAN WELDING BUREAU IN ACCORDANCE WITH CSA SPECIFICATIONS W47 AND W59.
 - DESIGN AND FABRICATE ALL CONNECTIONS FOR THE FULL STRENGTH OF THE MEMBER.
 - SPlicing OF MEMBERS NOT PERMITTED UNLESS OTHERWISE NOTED.
 - ANGLE STEEL SHALL BE HOT DIPPED GALVANIZED.
 - STRUCTURAL STEEL SUPPLIER SHALL SUBMIT SHOP DRAWINGS BEARING THE SEAL OF A PROFESSIONAL ENGINEER IN THE PROJECT PROVINCE
 - BOLTS, NUTS, AND WASHERS TO ASTM A325, MINIMUM BOLT DIAMETER 20mm.
 - ANCHOR BOLTS TO ASTM A307.
 - WELDING OF REINFORCING BARS TO CSA W186-M1990.
 - PRIMER TO CONFORM TO THE REQUIREMENTS OF CGSB OR CISC/CPMA STANDARDS.
 - ALL BOLTED CONNECTIONS SHALL HAVE A MINIMUM OF TWO BOLTS IN EACH CONNECTED PIECE AND BE DESIGNED WITH BEARING-TYPE CONNECTIONS WITH THREADS INCLUDED IN SHEAR PLANE, UNLESS NOTED OTHERWISE.
 - ALL STEEL SHALL RECEIVE A SHOP COAT OF PRIMER EXCEPT SURFACES TO BE CONCRETED, WELDED, LIGHT ZINC COATED OR GALVANIZED.
 - CLEAN ALL FIELD WELDS AFTER ERECTION AND TOUCH UP ALL UNPAINTED SURFACES WITH ONE COAT OF PRIMER PAINT TO MATCH SHOP COAT.
 - THERE SHALL BE NO CUTTING OF THE STRUCTURAL STEEL MEMBERS FOR THE WORK OF OTHER TRADES WITHOUT PRIOR WRITTEN APPROVAL OF THE CONTACT ADMINISTRATOR.
 - PAINT STEEL WITH EPOXY PAINT



3 STEEL BEAM REINFORCING
1:10

NOTE:
CONTRACTOR TO CONFIRM ALL EXISTING DIMENSIONS
LIVE LOAD = 4.8 kPa
DEAD LOAD = 3.6 kPa



4 STEEL BEAM SUPPORT
1:10

BEAM SCHEDULE		
MARK	DESCRIPTION	NOTES
B1	EXISTING W310x33	REINFORCED AS PER DETAIL 4

LOCATION APPROVED UNDERGROUND STRUCTURES

SUPV. U/G STRUCTURES COMMITTEE DATE

NOTE:
LOCATION OF UNDERGROUND STRUCTURES AS SHOWN ARE BASED ON THE BEST INFORMATION AVAILABLE BUT NO GUARANTEE IS GIVEN THAT ALL EXISTING UTILITIES ARE SHOWN OR THAT THE GIVEN LOCATIONS ARE EXACT. CONFIRMATION OF EXISTENCE AND EXACT LOCATION OF ALL SERVICES MUST BE OBTAINED FROM THE INDIVIDUAL UTILITIES BEFORE PROCEEDING WITH CONSTRUCTION.

B.M. ELEV.	NO.	REVISIONS	DATE	BY
	00	ISSUED FOR CONSTRUCTION	19.08.01	RAM

DESIGNED BY: DK		CHECKED BY: RAM	
DRAWN BY: DK		APPROVED BY: RAM	
HOR. SCALE: AS SHOWN		RELEASED FOR CONSTRUCTION: K. SCHIMKE	
VERTICAL:		DATE: 2019-07-18	
		DATE: 2019-08-01	

ENGINEER'S SEAL

THE CITY OF WINNIPEG
WATER AND WASTE DEPARTMENT

Winnipeg

NORTH END SEWAGE TREATMENT PLANT
NEWPCC DIGESTER 11 AND AUTOMATION UPGRADES
STRUCTURAL PLAN AND DETAILS

DIGESTER GALLERY 5

BID OPPORTUNITY NO. 630-2015

CITY DRAWING NUMBER 1-0101D-S0006-001

SHEET 3 OF 44