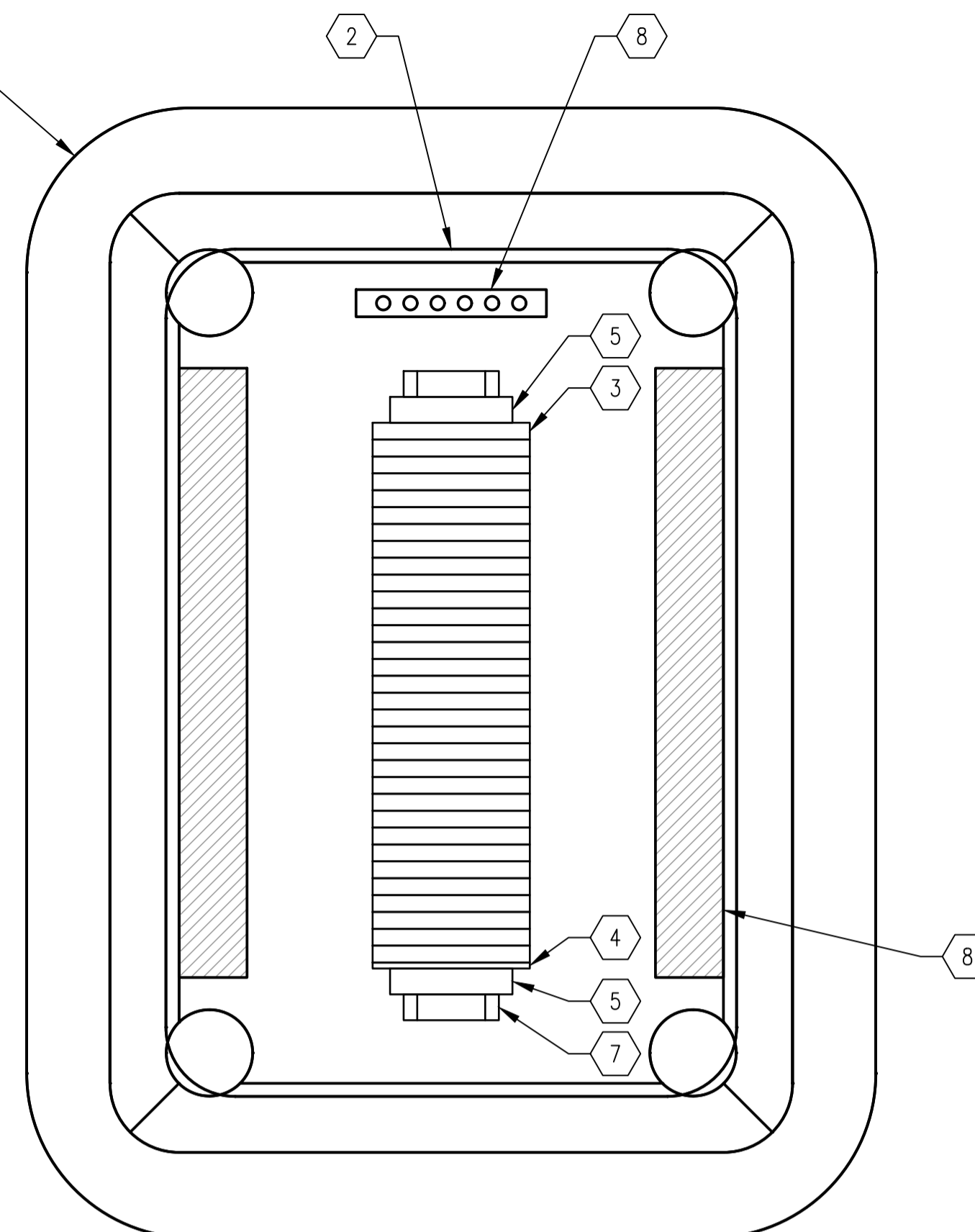


D939-JBA-1 EXTERIOR PANEL VIEW
1:2

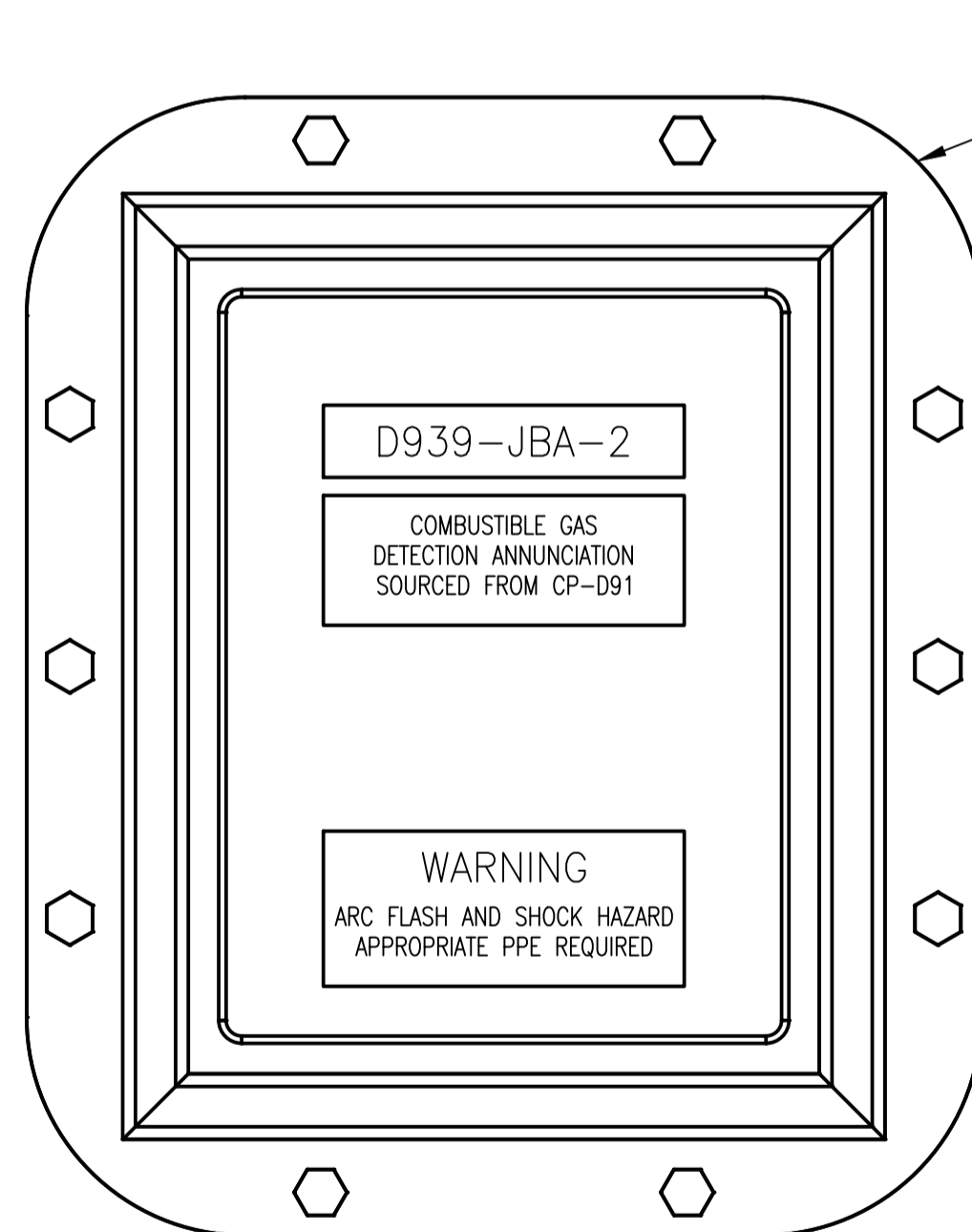


D939-JBA-1 INTERIOR PANEL VIEW
1:2

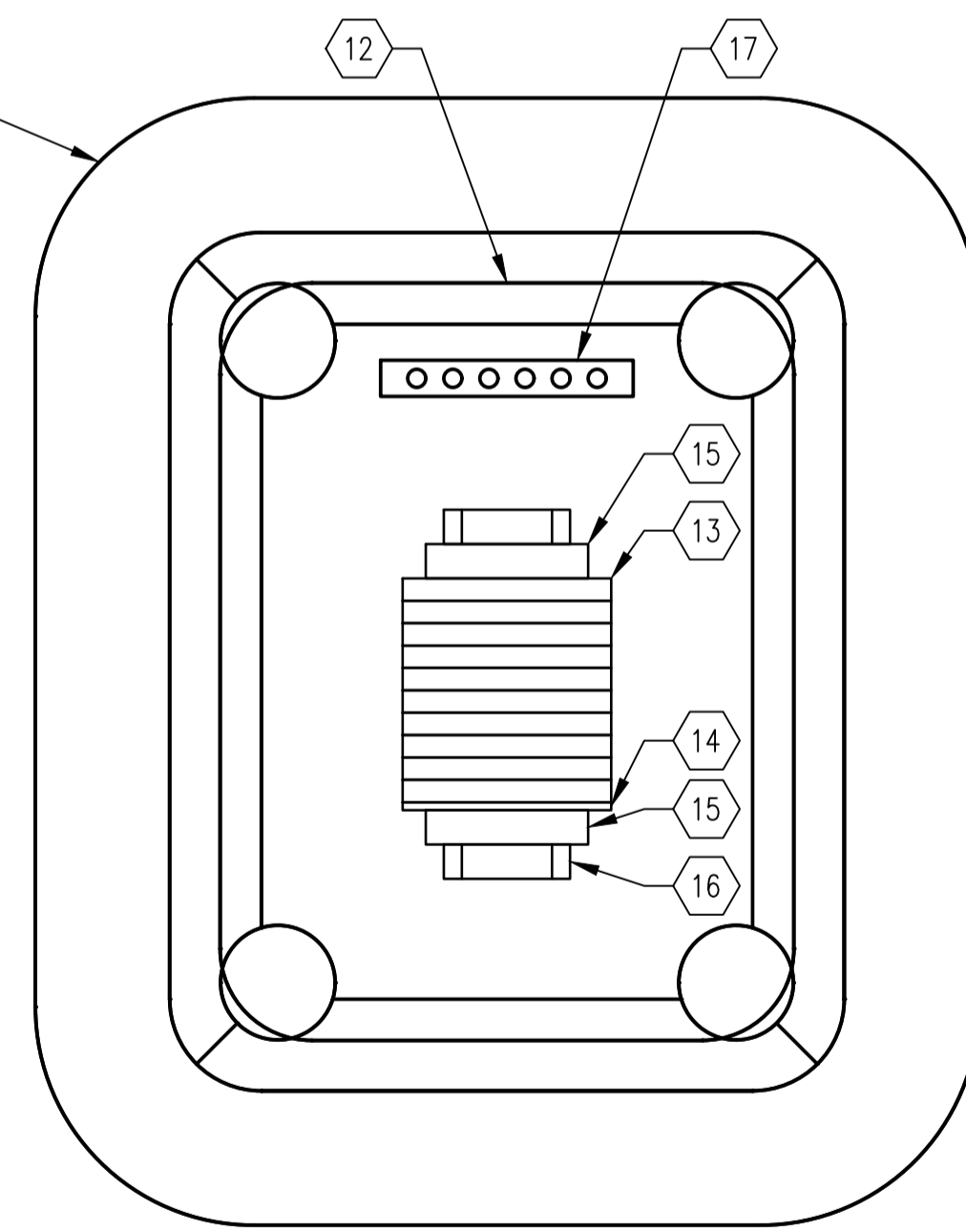
1+
1-
1C
1S
2+
2-
2C
2S
3+
3-
3C
3S
4+
4-
4C
4S
5+
5-
5C
5S
6+
6-
6C
6S
7+
7-
7C
7S
8+
8-
8C
8S

D939-JBA-1 TERMINAL LAYOUT
1:1

BILL OF MATERIAL		
ITEM	QTY	DESCRIPTION
1	1	EXPLOSION-PROOF ALUMINUM ENCLOSURE - WALL MOUNT, HINGED COVER, 300 X 200 MINIMUM INTERIOR SIZE
2	1	PANEL FOR ITEM 1
3	32	TERMINAL - FEED THROUGH
4	AS REQ'D	TERMINAL END PLATE
5	AS REQ'D	TERMINAL END CLAMP
6	AS REQ'D	WIRING DUCT AND COVER, 25MM X 75MM MIN
7	AS REQ'D	DIN RAIL, 35MM
8	1	GROUND BAR, MINIMUM 6 TAPS
9	AS REQ'D	LAMACOIDS



D939-JBA-2 EXTERIOR PANEL VIEW
1:2



D939-JBA-2 INTERIOR PANEL VIEW
1:2

1
N1
2A
2B
N2A
N2B
3A
3B
N3A
N3B

D939-JBA-2 TERMINAL LAYOUT
1:1

BILL OF MATERIAL		
ITEM	QTY	DESCRIPTION
11	1	EXPLOSION-PROOF ALUMINUM ENCLOSURE - WALL MOUNT, HINGED COVER, 200 X 150 MINIMUM INTERIOR SIZE
12	1	PANEL FOR ITEM 1
13	10	TERMINAL - FEED THROUGH, 15A, 12 AWG RATED
14	AS REQ'D	TERMINAL END PLATE
15	AS REQ'D	TERMINAL END CLAMP
16	AS REQ'D	DIN RAIL, 35MM
17	1	GROUND BAR, MINIMUM 6 TAPS
18	AS REQ'D	LAMACOIDS

NOTES:

- NUMBER ALL TERMINAL BLOCKS AS SHOWN, COMPLETE WITH GROUP LABELING AS APPLICABLE.

METRIC
WHOLE NUMBERS INDICATE MILLIMETRES
DECIMALIZED NUMBERS INDICATE METRES

Engineers Geoscientists Manitoba
Certificate of Authorization
CENGYS Ltd.
No. 6983

LOCATION APPROVED
UNDERGROUND STRUCTURES

SUPV. U/G STRUCTURES DATE COMMITTEE

NOTE:
LOCATION OF UNDERGROUND STRUCTURES AS SHOWN ARE BASED ON THE BEST INFORMATION AVAILABLE BUT NO GUARANTEE IS GIVEN THAT ALL EXISTING UTILITIES ARE SHOWN OR THAT THE GIVEN LOCATIONS ARE EXACT. CONFIRMATION OF EXISTENCE AND EXACT LOCATION OF ALL SERVICES MUST BE OBTAINED FROM THE INDIVIDUAL UTILITIES BEFORE PROCEEDING WITH CONSTRUCTION.

B.M. ELEV.			
NO.	ISSUED FOR CONSTRUCTION	2019-08-01	SLF
NO.	REVISIONS	DATE	BY

DESIGNED BY: C. REIMER	CHECKED BY: C. REIMER
DRAWN BY: S. FUNK	APPROVED BY: C. REIMER
HOR. SCALE: AS SHOWN	RELEASED FOR CONSTRUCTION: K. SCHIMKE
VERTICAL:	DATE: 2019-05-17
	DATE: 2019-08-01

ENGINEER'S SEAL

BID OPPORTUNITY NO. 630-2019

THE CITY OF WINNIPEG
WATER AND WASTE DEPARTMENT

NORTH END SEWAGE TREATMENT PLANT
DIGESTERS
JUNCTION BOX LAYOUT
D939-JBA-1 AND D939-JBA-2
COMBUSTIBLE GAS DETECTION

CITY DRAWING NUMBER 1-1010D-A0132-001

SHEET 42 OF 44