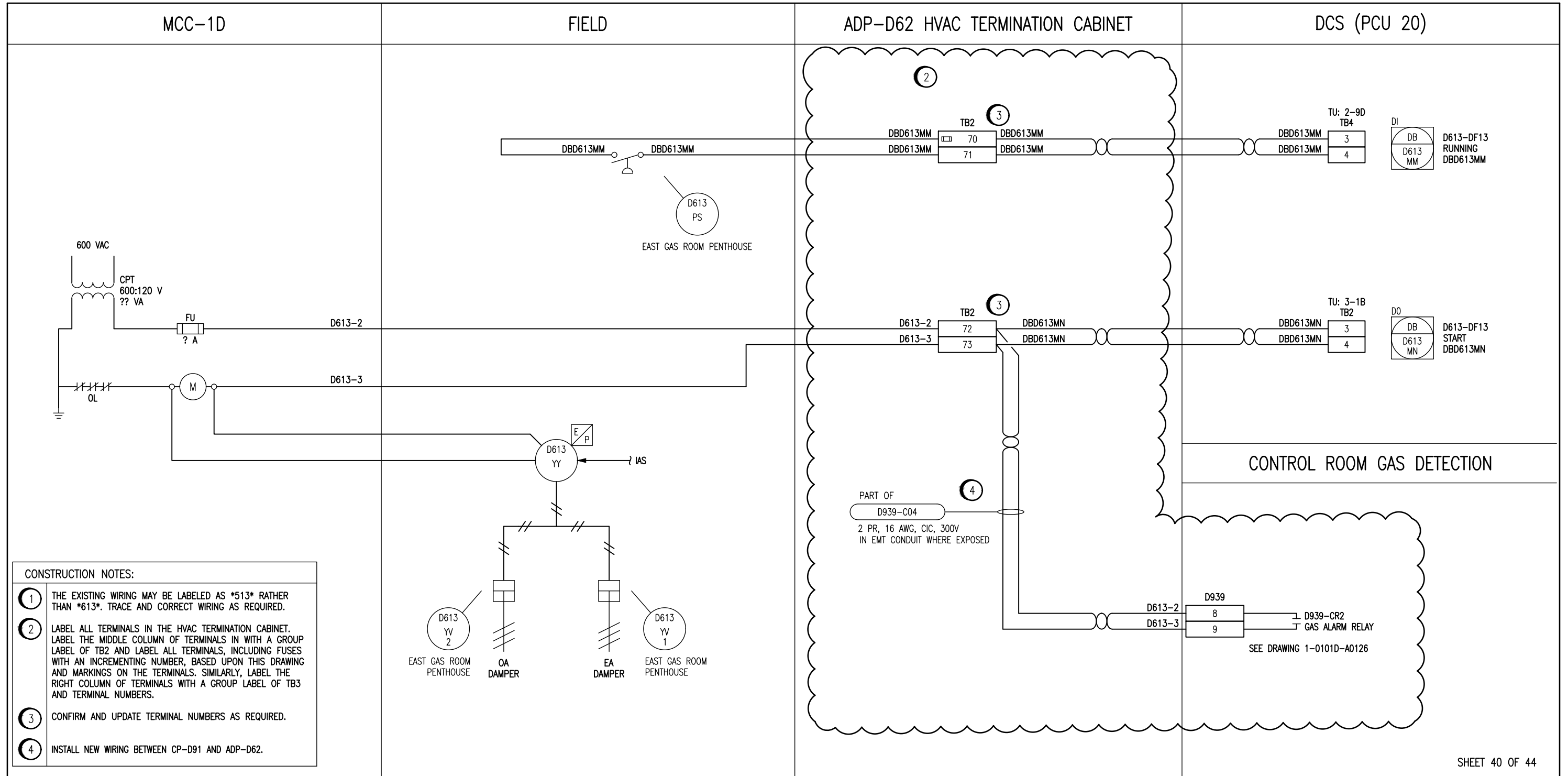


B SIZE - 279mm x 432mm



- CONSTRUCTION NOTES:**
- ① THE EXISTING WIRING MAY BE LABELED AS *513* RATHER THAN *613*. TRACE AND CORRECT WIRING AS REQUIRED.
 - ② LABEL ALL TERMINALS IN THE HVAC TERMINATION CABINET. LABEL THE MIDDLE COLUMN OF TERMINALS IN WITH A GROUP LABEL OF TB2 AND LABEL ALL TERMINALS, INCLUDING FUSES WITH AN INCREMENTING NUMBER, BASED UPON THIS DRAWING AND MARKINGS ON THE TERMINALS. SIMILARLY, LABEL THE RIGHT COLUMN OF TERMINALS WITH A GROUP LABEL OF TB3 AND TERMINAL NUMBERS.
 - ③ CONFIRM AND UPDATE TERMINAL NUMBERS AS REQUIRED.
 - ④ INSTALL NEW WIRING BETWEEN CP-D91 AND ADP-D62.

NOTES:
 1. THIS DRAWING IS BASED UPON AVAILABLE INFORMATION, BUT THE EXISTING WIRING MAY NOT BE EXACTLY AS SHOWN. MARK-UP ALL DISCREPANCIES FOUND.



NO.	REVISIONS	DATE	DESIGN	CHECK
00	ISSUED FOR CONSTRUCTION	2019-08-01	CJR	CJR

CENGYS ENGINEER'S SEAL

DESIGNED BY: C. REIMER	CHECKED BY: C. REIMER
DRAWN BY: S. FUNK	APPROVED BY: C. REIMER
SCALE: NTS	DATE: 2019-06-10
ISSUED FOR CONSTRUCTION	
BY: K. SCHIMKE	DATE: 2019-08-01
BID OPPORTUNITY NO.: 630-2019	

THE CITY OF WINNIPEG
 WATER AND WASTE DEPARTMENT

NORTH END SEWAGE TREATMENT PLANT
 DIGESTERS
 LOOP DIAGRAM
 D613-DF13
 DCS AND GAS DETECTION CONTROL

CITY DRAWING NUMBER	SHEET	REV.	SIZE
1-0101D-A0130	001	00	B