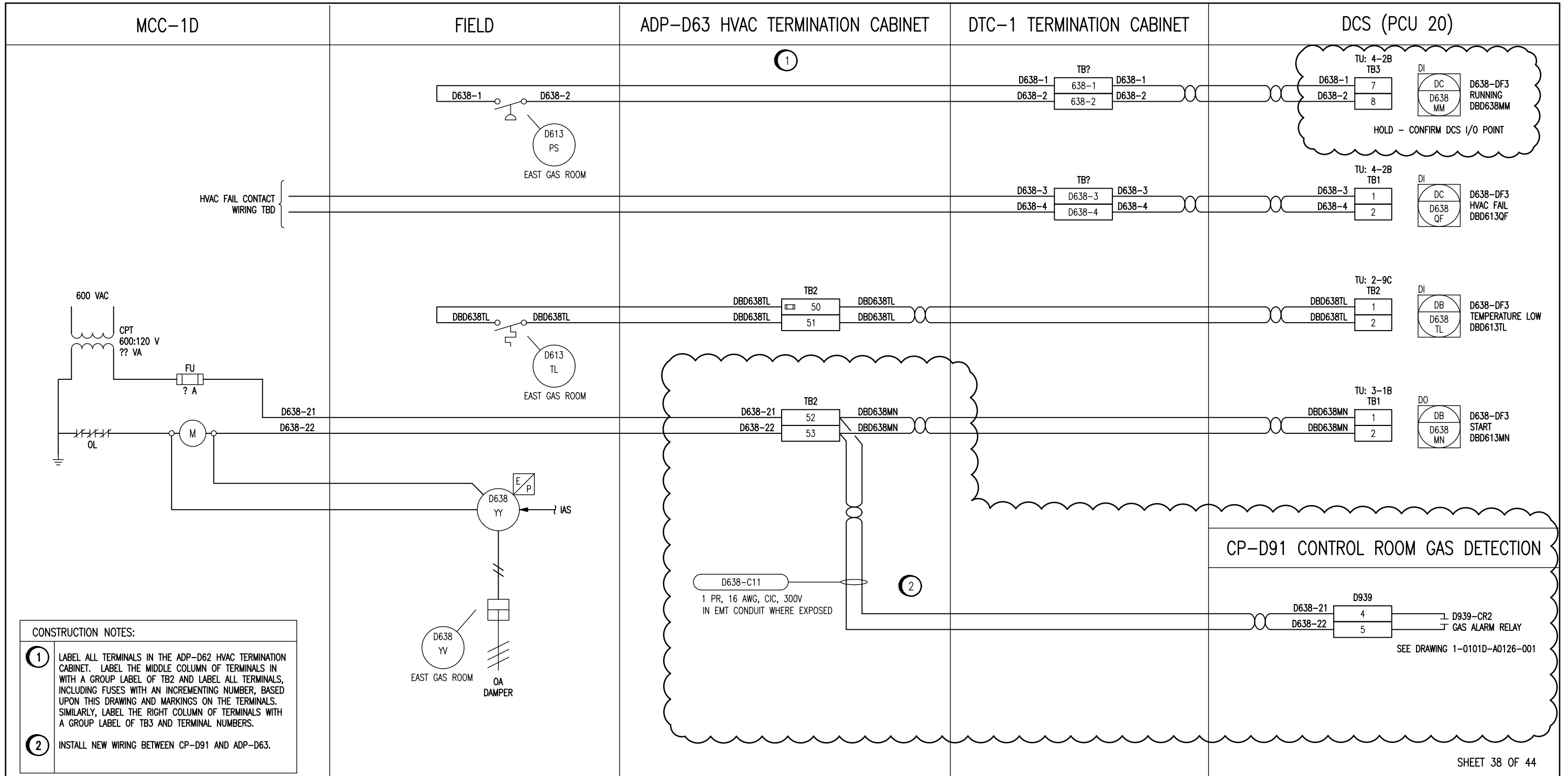


B SIZE - 279mm x 432mm



CONSTRUCTION NOTES:

① LABEL ALL TERMINALS IN THE ADP-D62 HVAC TERMINATION CABINET. LABEL THE MIDDLE COLUMN OF TERMINALS IN WITH A GROUP LABEL OF TB2 AND LABEL ALL TERMINALS, INCLUDING FUSES WITH AN INCREMENTING NUMBER, BASED UPON THIS DRAWING AND MARKINGS ON THE TERMINALS. SIMILARLY, LABEL THE RIGHT COLUMN OF TERMINALS WITH A GROUP LABEL OF TB3 AND TERMINAL NUMBERS.

② INSTALL NEW WIRING BETWEEN CP-D91 AND ADP-D63.

NOTES:

1. THIS DRAWING IS BASED UPON AVAILABLE INFORMATION, BUT THE EXISTING WIRING MAY NOT BE EXACTLY AS SHOWN. MARK-UP ALL DISCREPANCIES FOUND.



00	ISSUED FOR CONSTRUCTION	2019-08-01	CJR	CJR
NO.	REVISIONS	DATE	DESIGN	CHECK

CENGYS	
DESIGNED BY: C. REIMER	CHECKED BY: C. REIMER
DRAWN BY: S. FUNK	APPROVED BY: C. REIMER
SCALE: NTS	DATE: 2019-08-01
ISSUED FOR CONSTRUCTION	
BY: K. SCHIMKE	DATE: 2019-08-01
BID OPPORTUNITY NO.: 630-2019	

ENGINEER'S SEAL

THE CITY OF WINNIPEG
WATER AND WASTE DEPARTMENT

NORTH END SEWAGE TREATMENT PLANT
DIGESTERS
LOOP DIAGRAM
D638-DF3
DCS AND GAS DETECTION CONTROL

CITY DRAWING NUMBER	SHEET	REV.	SIZE
1-0101D-A0128	001	00	B