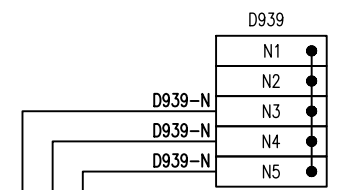
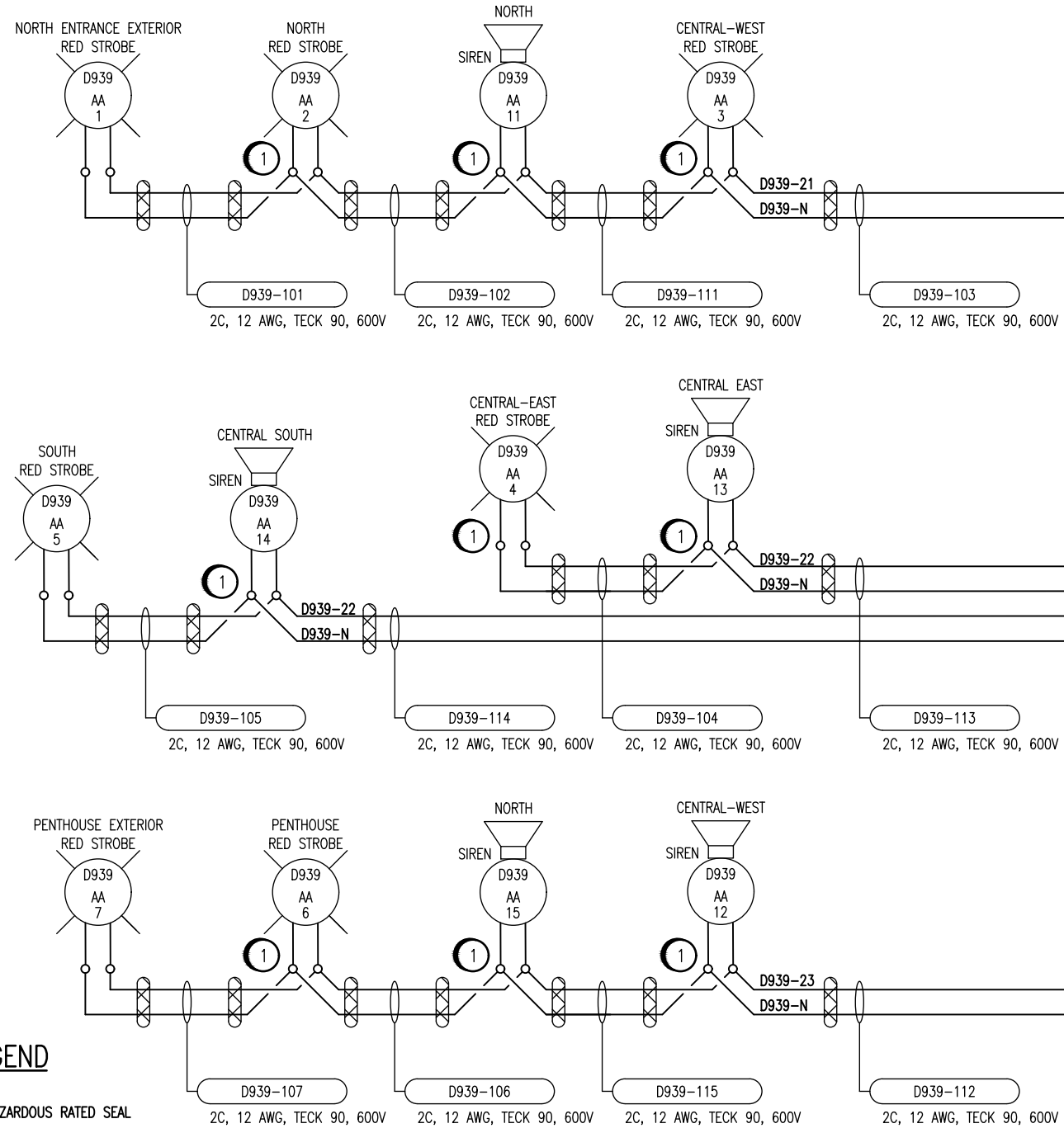


B SIZE - 279mm x 432mm

EAST GAS ROOM

FIELD

CP-D91 CONTROL ROOM GAS DETECTION



SEE DRAWING 1-0101D-A0126-001

CONSTRUCTION NOTES:  
 1. INSTALL HAZARDOUS RATED JUNCTION BOXES AS REQUIRED.

HAZARDOUS AREA CLASS I, ZONE 1  
 UNCLASSIFIED AREA

SHEET 36 OF 44

LEGEND

- HAZARDOUS RATED SEAL
- D939-101, D939-102, D939-103, D939-104, D939-105, D939-106, D939-107, D939-111, D939-112, D939-113, D939-114, D939-115

- NOTES:
- DESIGN MAXIMUM OPERATING CURRENT:
    - STROBES: 1.25 A
    - HORNS: 0.75 A



DESIGNED BY:	C. REIMER	CHECKED BY:	C. REIMER
DRAWN BY:	C. REIMER	APPROVED BY:	C. REIMER
SCALE:	NTS	DATE:	2019-05-18
ISSUED FOR CONSTRUCTION BY:	K. SCHIMKE	DATE:	2019-08-01
BID OPPORTUNITY NO.:	630-2019		
NO.	ISSUED FOR CONSTRUCTION	DATE	DESIGN
		2019-08-01	CJR
			CJR

ENGINEER'S SEAL



NORTH END SEWAGE TREATMENT PLANT  
 DIGESTERS  
 LOOP DIAGRAM  
 D939-GDC STROBES, SIRENS AND VENTILATION CONTROL  
 EAST GAS ROOM GAS DETECTION

CITY DRAWING NUMBER	SHEET	REV.	SIZE
1-0101D-A0126	002	00	B