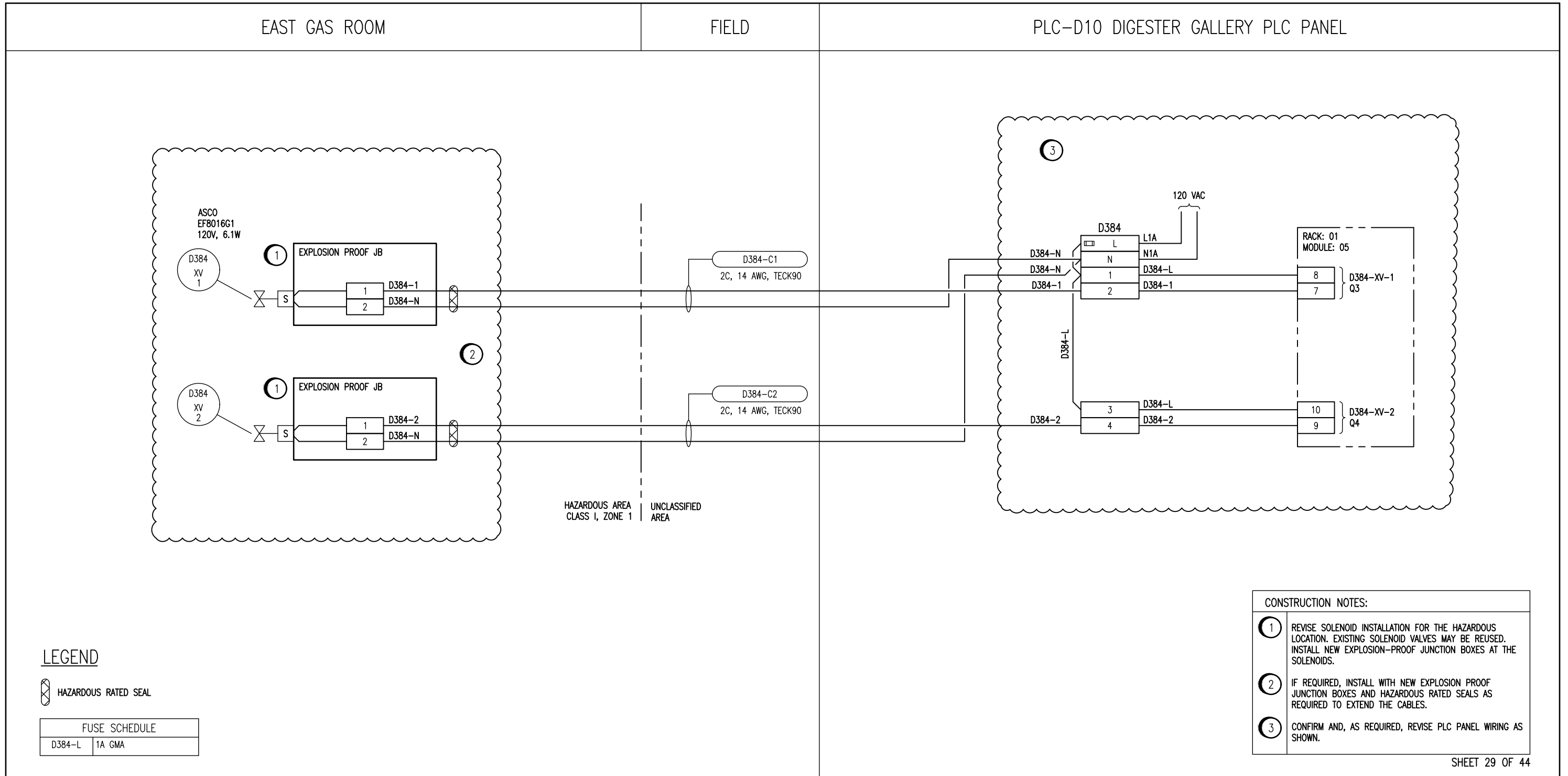


B SIZE - 279mm x 432mm



LEGEND

HAZARDOUS RATED SEAL

FUSE SCHEDULE	
D384-L	1A GMA

CONSTRUCTION NOTES:	
1	REVISE SOLENOID INSTALLATION FOR THE HAZARDOUS LOCATION. EXISTING SOLENOID VALVES MAY BE REUSED. INSTALL NEW EXPLOSION-PROOF JUNCTION BOXES AT THE SOLENOIDS.
2	IF REQUIRED, INSTALL WITH NEW EXPLOSION PROOF JUNCTION BOXES AND HAZARDOUS RATED SEALS AS REQUIRED TO EXTEND THE CABLES.
3	CONFIRM AND, AS REQUIRED, REVISE PLC PANEL WIRING AS SHOWN.

SHEET 29 OF 44

- NOTES:
 1. THIS DRAWING SUPERSEDES SHOP DRAWING 14384C-D384.
 2. SEE DRAWING 1-0101D-A0113-002 FOR LOCATION.



NO.	REVISIONS	DATE	DESIGN	CHECK
00	ISSUED FOR CONSTRUCTION	2019-08-01	CJR	CJR

DESIGNED BY: C. REIMER	CHECKED BY: C. REIMER
DRAWN BY: S. FUNK	APPROVED BY: C. REIMER
SCALE: NTS	DATE: 2019-05-18
ISSUED FOR CONSTRUCTION	
BY: K. SCHIMKE	DATE: 2019-08-01
BID OPPORTUNITY NO.: 630-2019	

ENGINEER'S SEAL

		THE CITY OF WINNIPEG WATER AND WASTE DEPARTMENT	
NORTH END SEWAGE TREATMENT PLANT DIGESTERS LOOP DIAGRAM D384-XV-1 AND D384-XV-2 FLUSHING WATER SOLENOIDS			
CITY DRAWING NUMBER	SHEET	REV.	SIZE
1-0101D-A0120	001	00	B