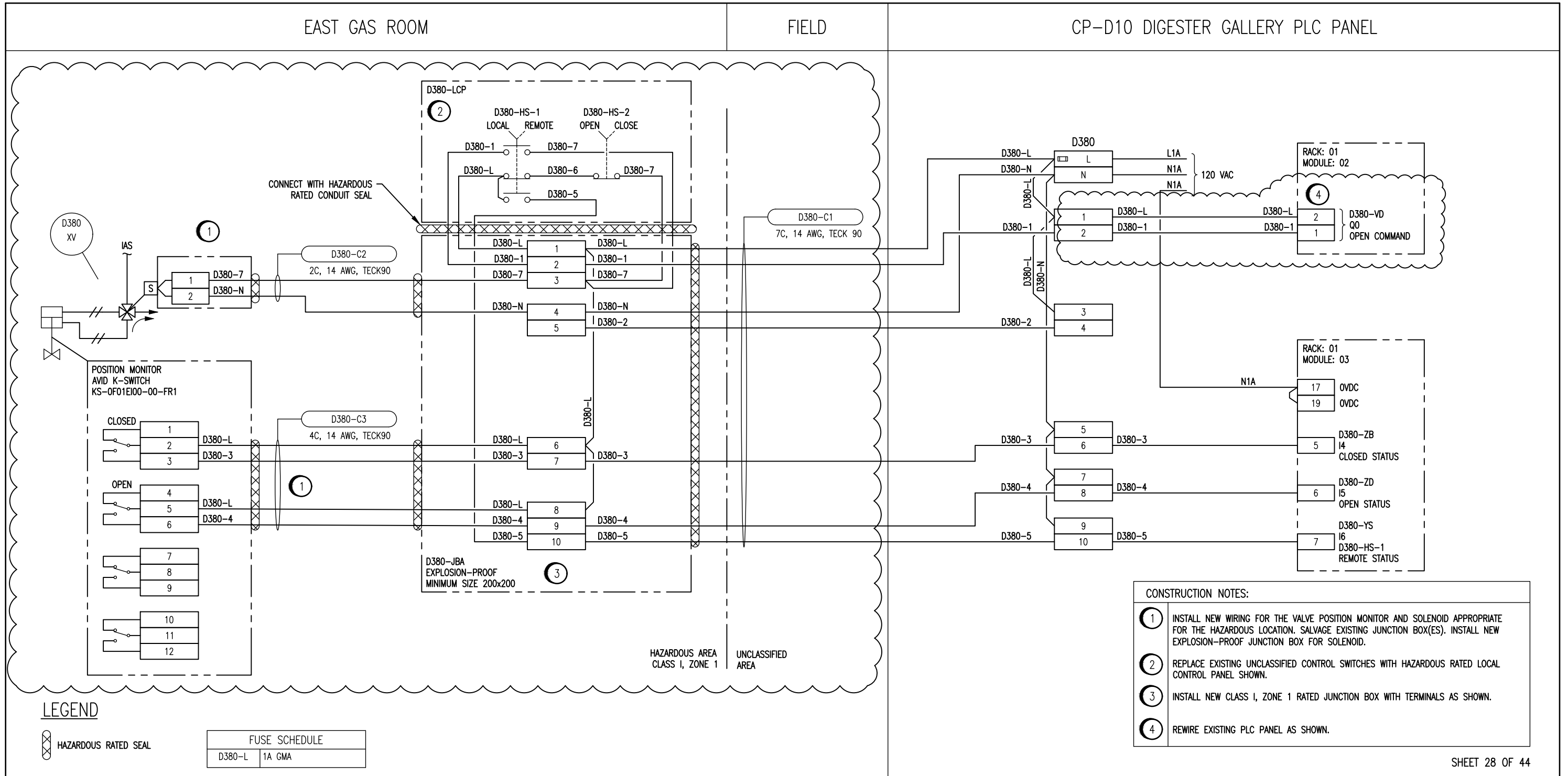


B SIZE - 279mm x 432mm



SHEET 28 OF 44

**NOTES:**

- THIS DRAWING SUPERSEDES SHOP DRAWING 14384C-D380.
- LIMIT SWITCHES ARE SHOWN IN THE VALVE INTERMEDIATE POSITION.
- SEE DRAWING 1-0101D-A0113-002 FOR LOCATION.

**ENGINEERS GEOSCIENTISTS MANITOBA**  
 Certificate of Authorization  
 CENGYS Ltd.  
 No. 6983

NO.	REVISIONS	DATE	DESIGN	CHECK
00	ISSUED FOR CONSTRUCTION	2019-08-01	CJR	CJR

**CENGYS**

DESIGNED BY: C. REIMER  
 CHECKED BY: C. REIMER

DRAWN BY: S. FUNK  
 APPROVED BY: C. REIMER

SCALE: NTS  
 DATE: 2019-05-18

ISSUED FOR CONSTRUCTION  
 BY: K. SCHIMKE  
 DATE: 2019-08-01

BID OPPORTUNITY NO.: 630-2019

ENGINEER'S SEAL

**THE CITY OF WINNIPEG**  
 WATER AND WASTE DEPARTMENT

NORTH END SEWAGE TREATMENT PLANT  
 DIGESTERS  
 LOOP DIAGRAM  
 D380-XV  
 MIXING PUMP DISCHARGE VALVE

CITY DRAWING NUMBER	SHEET	REV.	SIZE
1-0101D-A0119	001	00	B