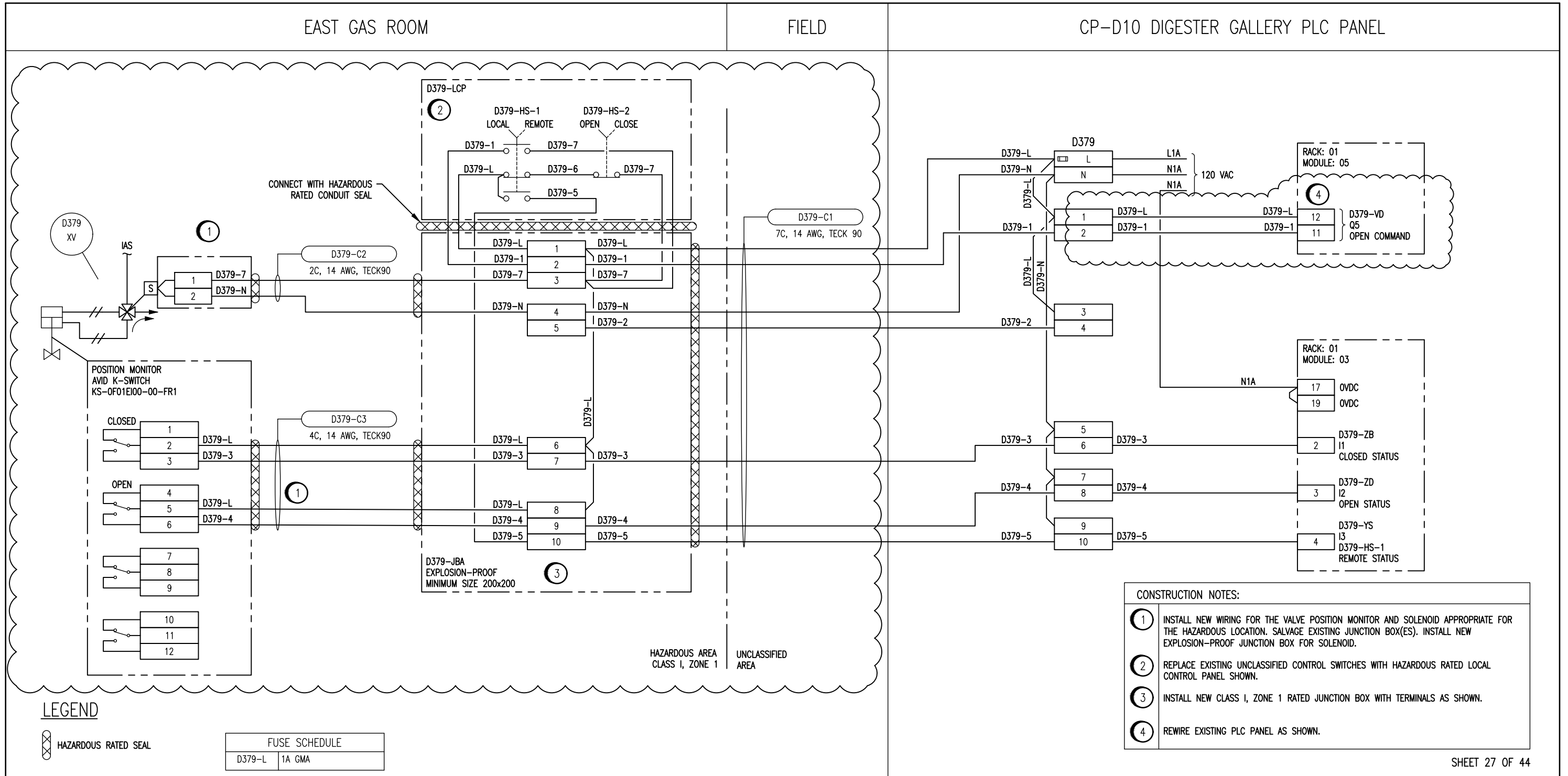


B SIZE - 279mm x 432mm



- CONSTRUCTION NOTES:**
- ① INSTALL NEW WIRING FOR THE VALVE POSITION MONITOR AND SOLENOID APPROPRIATE FOR THE HAZARDOUS LOCATION. SALVAGE EXISTING JUNCTION BOX(ES). INSTALL NEW EXPLOSION-PROOF JUNCTION BOX FOR SOLENOID.
  - ② REPLACE EXISTING UNCLASSIFIED CONTROL SWITCHES WITH HAZARDOUS RATED LOCAL CONTROL PANEL SHOWN.
  - ③ INSTALL NEW CLASS 1, ZONE 1 RATED JUNCTION BOX WITH TERMINALS AS SHOWN.
  - ④ REWIRE EXISTING PLC PANEL AS SHOWN.

SHEET 27 OF 44

**LEGEND**

HAZARDOUS RATED SEAL

FUSE SCHEDULE	
D379-L	1A GMA

- NOTES:**
- THIS DRAWING SUPERSEDES SHOP DRAWING 14384C-D379.
  - LIMIT SWITCHES ARE SHOWN IN THE VALVE INTERMEDIATE POSITION.
  - SEE DRAWING 1-0101D-A0113-002 FOR LOCATION.

**ENGINEERS  
GEOSCIENTISTS  
MANITOBA**  
Certificate of Authorization  
CENGYS Ltd.  
No. 6983

NO.	REVISIONS	DATE	DESIGN	CHECK
00	ISSUED FOR CONSTRUCTION	2019-08-01	CJR	CJR

**CENGYS**

DESIGNED BY: C. REIMER	CHECKED BY: C. REIMER
DRAWN BY: S. FUNK	APPROVED BY: C. REIMER
SCALE: NTS	DATE: 2019-06-14
ISSUED FOR CONSTRUCTION	
BY: K. SCHIMKE	DATE: 2019-08-01
BID OPPORTUNITY NO.: 630-2019	

ENGINEER'S SEAL

**THE CITY OF WINNIPEG**  
WATER AND WASTE DEPARTMENT

NORTH END SEWAGE TREATMENT PLANT  
DIGESTERS  
LOOP DIAGRAM  
D379-XV  
MIXING PUMP DISCHARGE VALVE

CITY DRAWING NUMBER	SHEET	REV.	SIZE
1-0101D-A0118	001	00	B